



WEICHAI

DH4.1K0320

# WP4.1 柴油机零件图册

## WP4.1SERIES DIESEL PARTS CATALOGUE

潍柴动力扬州柴油机有限责任公司

WEICHAI POWER YANGZHOU DIESEL ENGINE CO., LTD.

# 前 言

为使WP4.1系列柴油机在使用、维护等工作上的方便，特汇编本图册，以供我方与用户在使用中查阅参考。

该图册基本上按组绘出了各个零件的装配关系。图序号、件号、数量、中文名称、英文名称等列于明细表栏内。图册包含发动机详细的装机明细，其中部分零件为不可销售配件，如欲了解配件销售事宜可咨询潍柴备品公司。

随着技术和生产的不断发展，柴油机的变形将增多，故本图册的内容将有所更新。变化不再另行通知，特请用户注意。本产品的售后服务统一授权潍柴动力股份有限公司执行，用户可通过[www.weichai.com](http://www.weichai.com)网站访问获取相关产品信息。

## FOREWORD

This illustrated parts manual is specially prepared for customers to facilitate the use of WP4.1 series diesel engine in operation and tenance.

The illustrations are grouped under the heading of each assembly and numbered individually.Part.

No.,Quantity,Model,English designation,Chinese designation and so on are written in the parts list . The parts catalogue include detailed assembling parts list of diesel engine ,some parts can not be sold ,if you want to know selling part matters,please ask weichai power spare part resource CO.,LTD.

With the development of technology and production,the versions of the diesel engine will be increased, so the catalogue will be revised.Please pay attention to our revised edition.After service of this product is authorized to Weichai Power Co.,Ltd ,Consumers can acquire information of this product through [www.weichai.com](http://www.weichai.com).

# 目 录 CONTENTS

<b>机体结合组(Engine Block Group)</b> .....	<b>1</b>
机体总成(crankcase assembly) .....	3
机体预装配(crankcase pre-assembly) .....	5
<b>油封结合组(Oil Seal Group)</b> .....	<b>7</b>
<b>喷嘴结合组(Spray Nozzle Group)</b> .....	<b>9</b>
活塞喷嘴总成(Piston Nozzle Assembly) .....	11
<b>飞轮壳结合组(Flywheel Housing Group)</b> .....	<b>13</b>
<b>齿轮室罩壳结合组(Gear Housing Cover Group)</b> .....	<b>15</b>
<b>齿轮室结合组(Gear Housing Group)</b> .....	<b>17</b>
齿轮室组件(Gear Box Assembly) .....	19
<b>曲轴结合组(Crankshaft Group)</b> .....	<b>21</b>
<b>主轴瓦结合组(Main Bearing Group)</b> .....	<b>23</b>
主轴瓦组件(Main Bearing Set) .....	25
<b>止推片结合组(Thrust Plate Group)</b> .....	<b>27</b>
止推片(Thrust Plate) .....	29
<b>飞轮结合组(Flywheel Group)</b> .....	<b>31</b>
飞轮总成(Flywheel Assembly) .....	33
<b>活塞连杆结合组(Piston and Connecting Rod Group)</b> .....	<b>35</b>
活塞环组件(Piston Ring Set) .....	37
连杆总成(Connecting Rod Assembly) .....	39
<b>气缸盖结合组(Cylinder Head Group)</b> .....	<b>41</b>
气缸盖分总成(Cylinder Head Subassembly) .....	43
<b>吊环结合组(Eye Ring Group)</b> .....	<b>45</b>
<b>气缸盖罩结合组(Cylinder Head Cover Group)</b> .....	<b>47</b>
加机油口盖组件() .....	49
<b>配气机构结合组(Valve Train Group)</b> .....	<b>51</b>
整体式摇臂轴总成(Integrated Rocker Arm Shaft Assembly) .....	53
摇臂总成(Rocker arm assembly) .....	55
<b>齿轮传动结合组(Gear Drive Group)</b> .....	<b>57</b>
中间齿轮组件(Idler Gear Set) .....	59

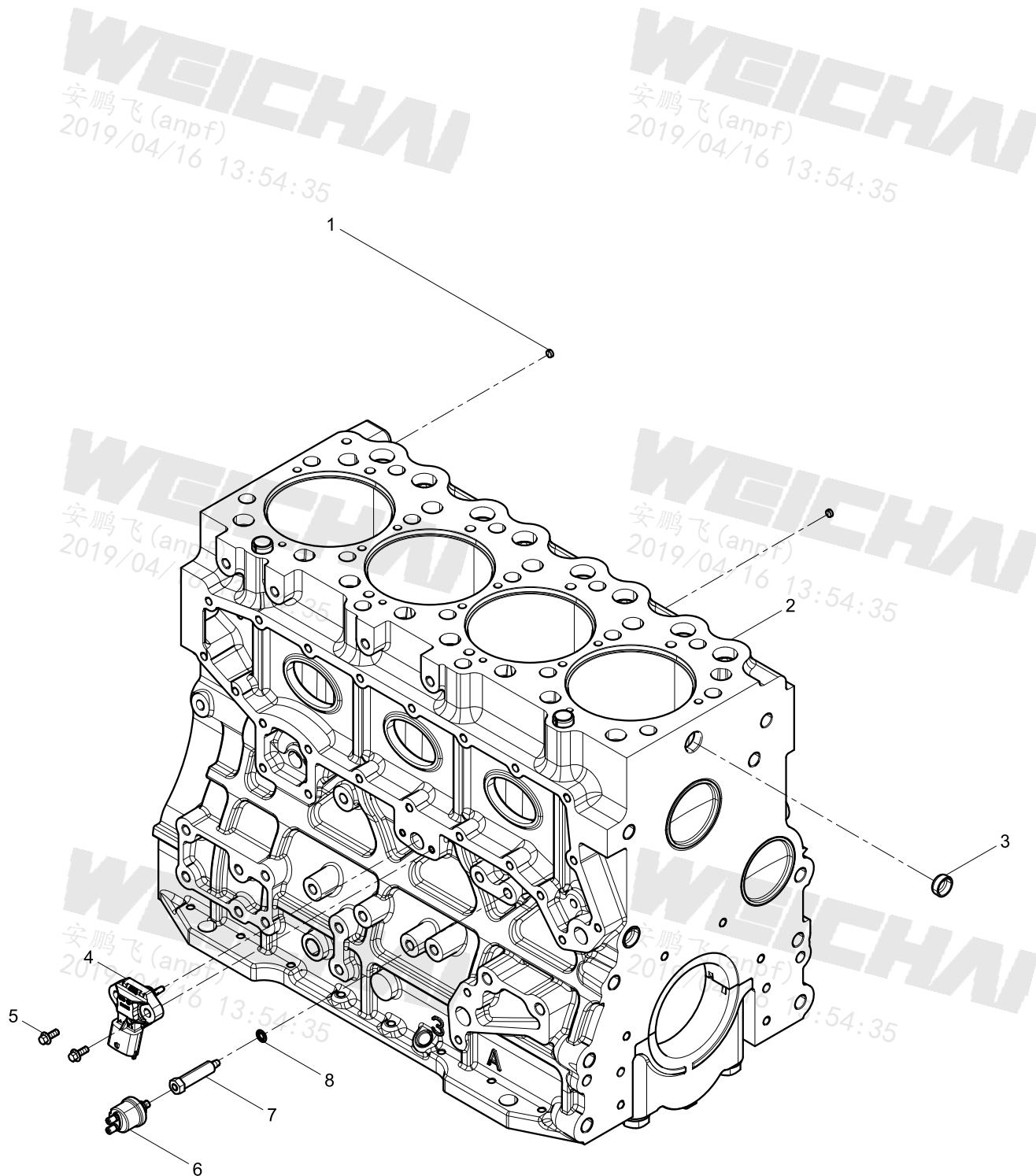
曲轴皮带轮结合组(Crankshaft Pulley Group) .....	61
油底壳结合组(Oil Pan Group) .....	63
放油螺塞(Oil Drain Plug).....	65
油标尺结合组(Oil Dipstick Group) .....	67
机油泵结合组(Oil Pump Group) .....	69
机油泵驱动齿轮(Oil Pump Driven Gear).....	71
机油冷却器结合组(Oil Cooler Group).....	73
机油冷却器总成(Oil Cooler Assembly) .....	75
机油滤清器结合组(Oil Filter Group).....	77
限压阀结合组(Pressure-limiting Valve Group) .....	79
水泵结合组(Water Pump Group) .....	81
水泵进水管结合组(Water Pump Inlet Pipe Group) .....	83
放水阀结合组(Water Draining Valve Group) .....	85
节温器结合组(Thermostat Group).....	87
风扇及轮毂结合组(Fan and Hub Group) .....	89
喷油泵结合组(Fuel Injection Pump Group) .....	91
喷油器结合组(Fuel Injector Group).....	93
低压油管结合组(Low Pressure Fuel Pipe Group).....	95
燃油滤清器结合组(Fuel Filter Group).....	97
燃油精滤器(Fuel Fine Filter) .....	99
高压油管结合组(High Pressure Fuel Pipe Group) .....	101
高压油管总成(High-pressure Fuel Pipe Assembly).....	103
共轨管结合组(Common Rail Group).....	105
进气管结合组(Intake Manifold Group).....	107
增压器结合组(Turbocharger Group).....	109
增压器润滑油管结合组(Turbocharger Oil Pipe Group) .....	111
压气机管路结合组(Compressor Pipe Group) .....	113
排气管结合组(Exhaust Manifold Group) .....	115
空调压缩机结合组(Air Conditioning Compressor Group) .....	117
空压机结合组(Air Compressor Group).....	119



张紧轮及皮带结合组(Tensioner And Belt Group) .....	121
动力转向泵结合组(Steering Pump Group) .....	123
起动机结合组(Starter Motor Group) .....	125
发动机支架结合组(Engine Bracket Group) .....	127
主机外围附件支撑结合组(Engine Peripheral Device Support Group) .....	129
包装箱底盘零件结合组(Packing Box Chassis Parts Group) .....	131
燃油水寒宝(Fuel System Protector) .....	133
随机单发零件结合组(Separate Delivery Parts Group Attached to Engine) .....	135
SCR箱总成(SCR Box Assembly) .....	137
集成式尿素箱总成(Integrated Urea Tank Assembly) .....	139
尿素箱总成(Urea Tank Assembly) .....	141
零件箱结合组(Parts Box Group) .....	143
燃油粗滤器(Fuel Coarse Filter) .....	147
接插件总成(Connector Assembly) .....	149
接插件(Connector) .....	151
配套接插件(Matching Connector) .....	153
燃油加热插接件(Fuel heating Conneting parts) .....	155
起动机继电器插接件(Starting relay Conneting parts) .....	157
配套接插件(Matching Connector) .....	159
接插件(Connector) .....	161
接插件(Connector) .....	163
电控单元结合组(Electronic Control Unit Group) .....	165
发动机线束结合组(Engine Harness Group) .....	167
发电机结合组(Alternator Group) .....	169
发电机支架结合组(Alternator Bracket Group) .....	171

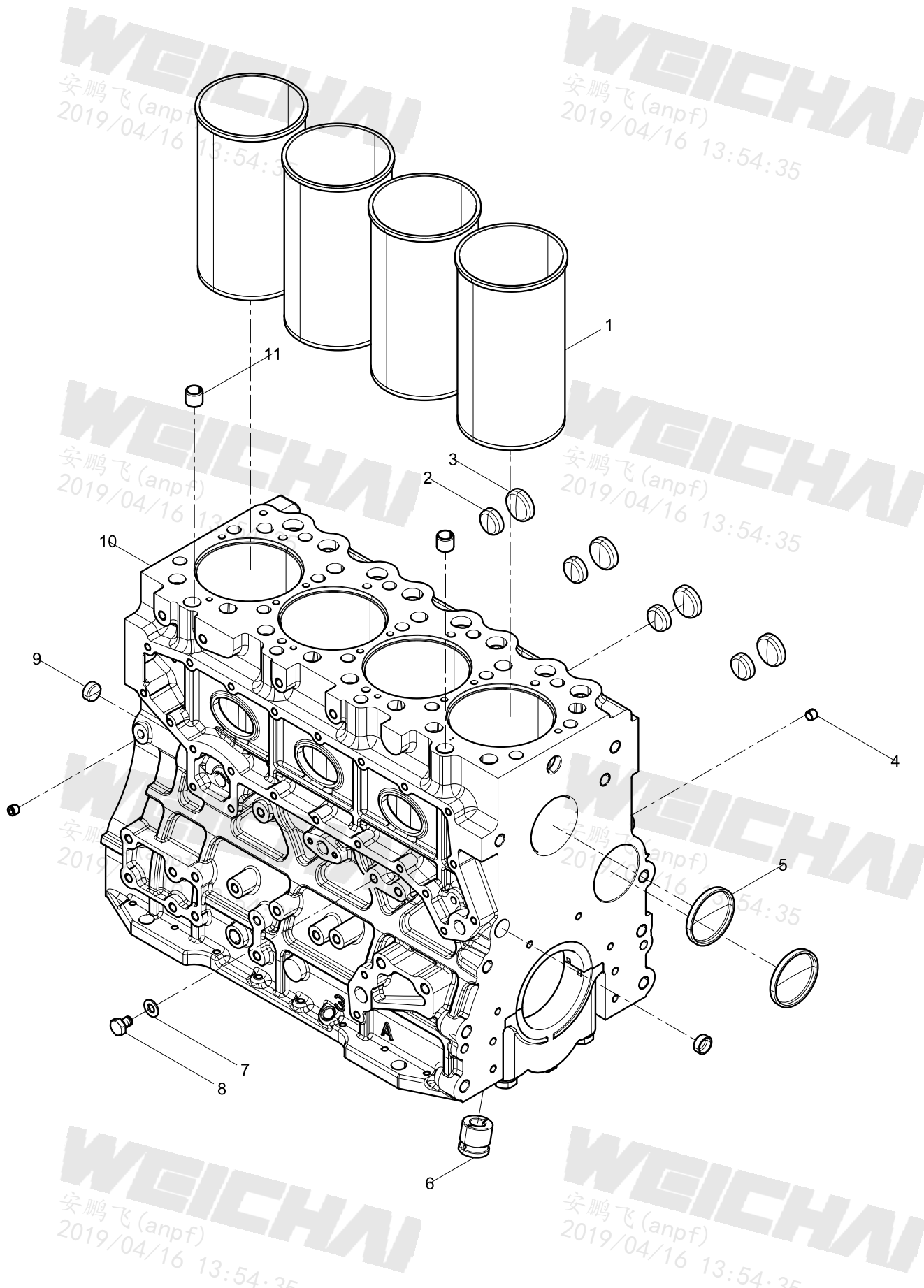


### 机体结合组(Engine Block Group)



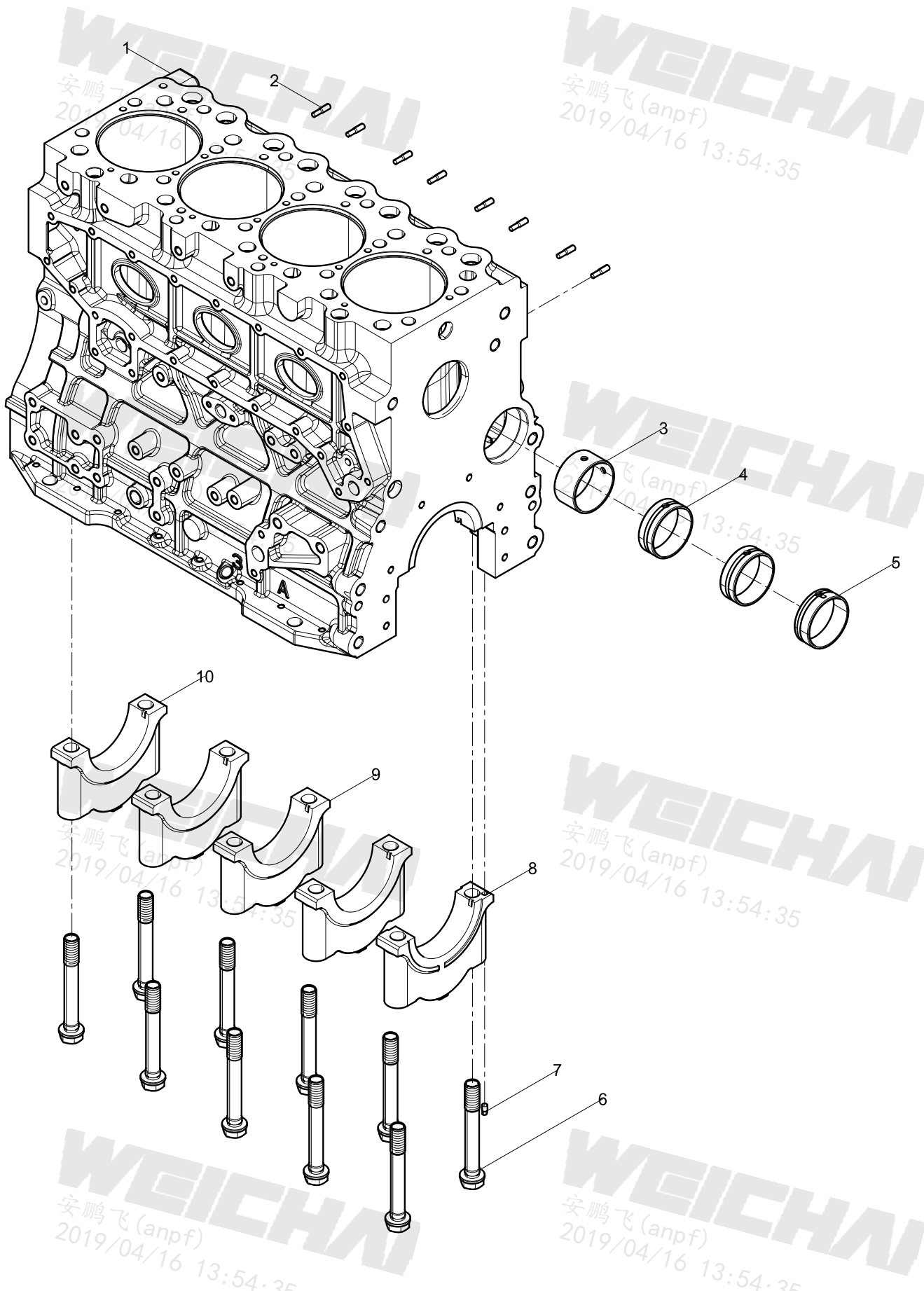


### 机体总成(crankcase assembly)





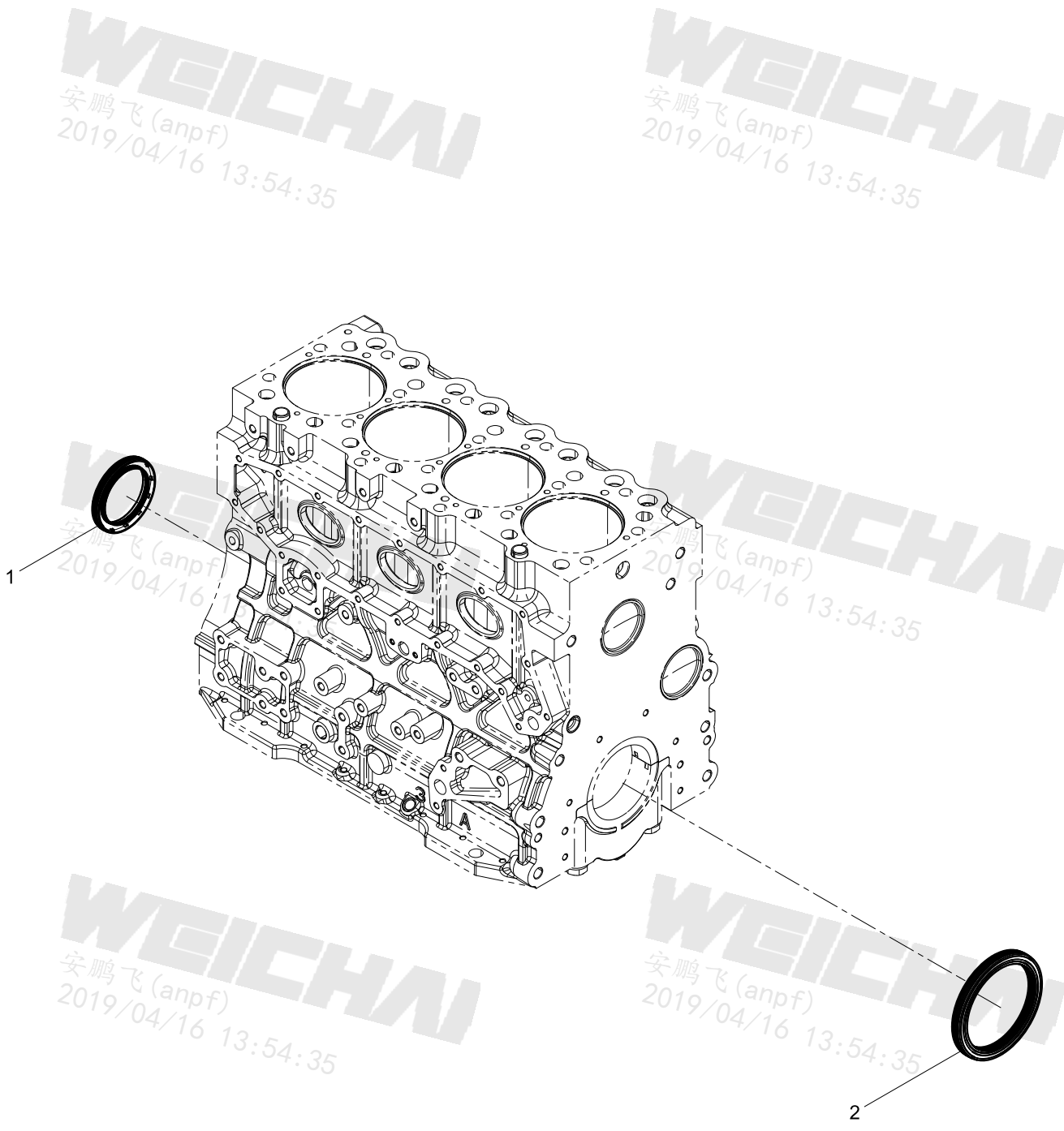
### 机体预装配(crankcase pre-assembly)





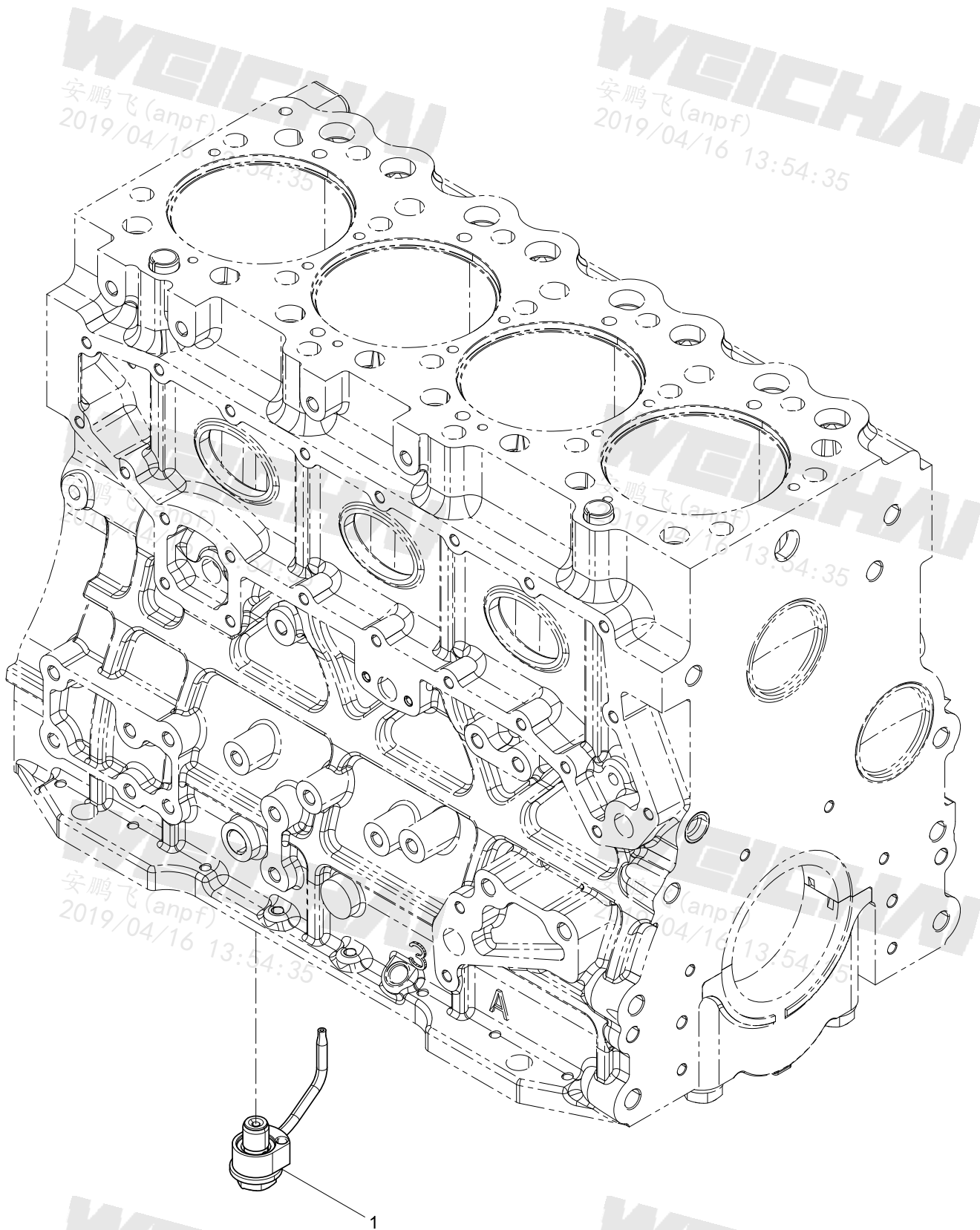


### 油封结合组(Oil Seal Group)



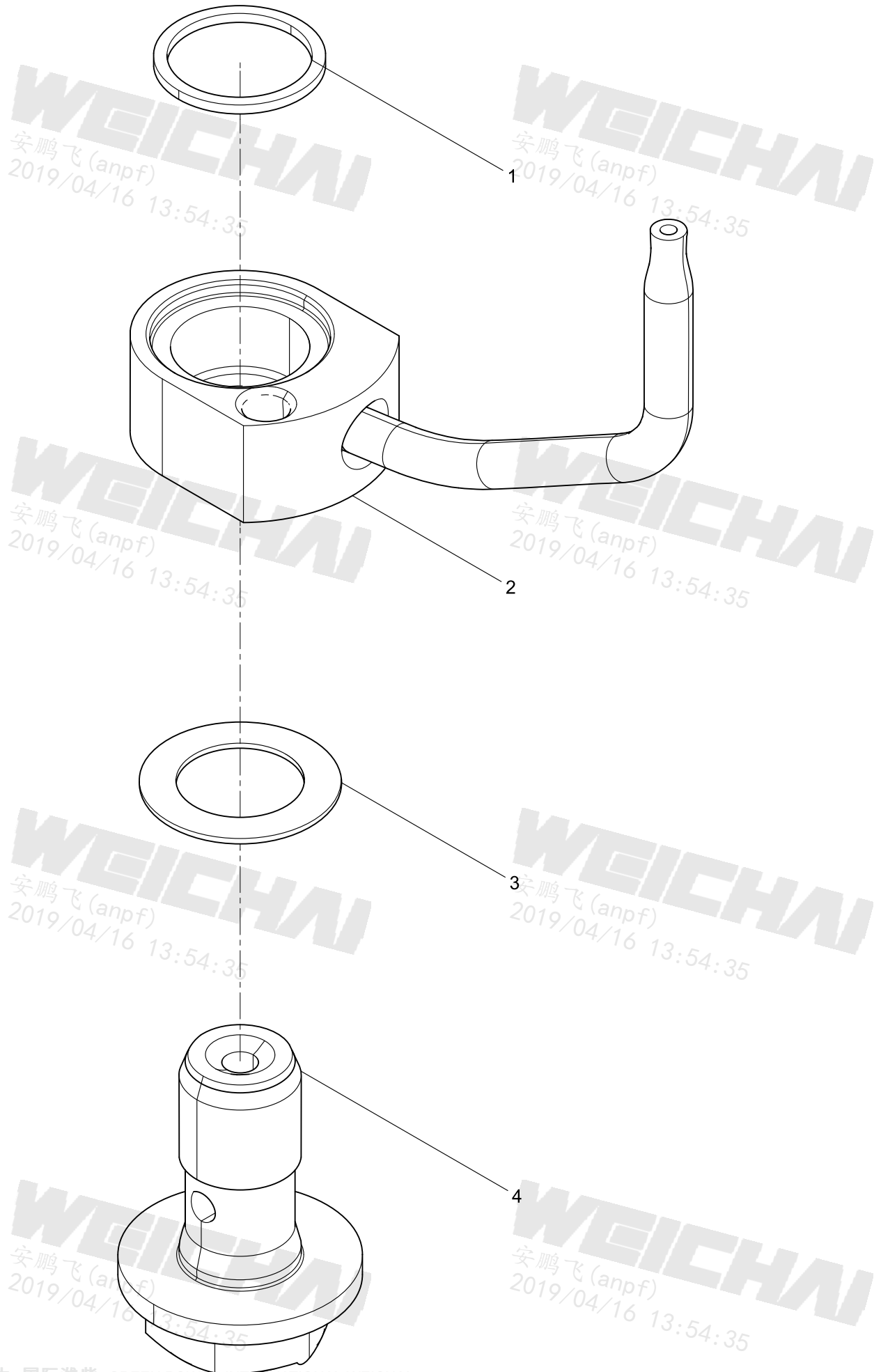


### 喷嘴结合组(Spray Nozzle Group)



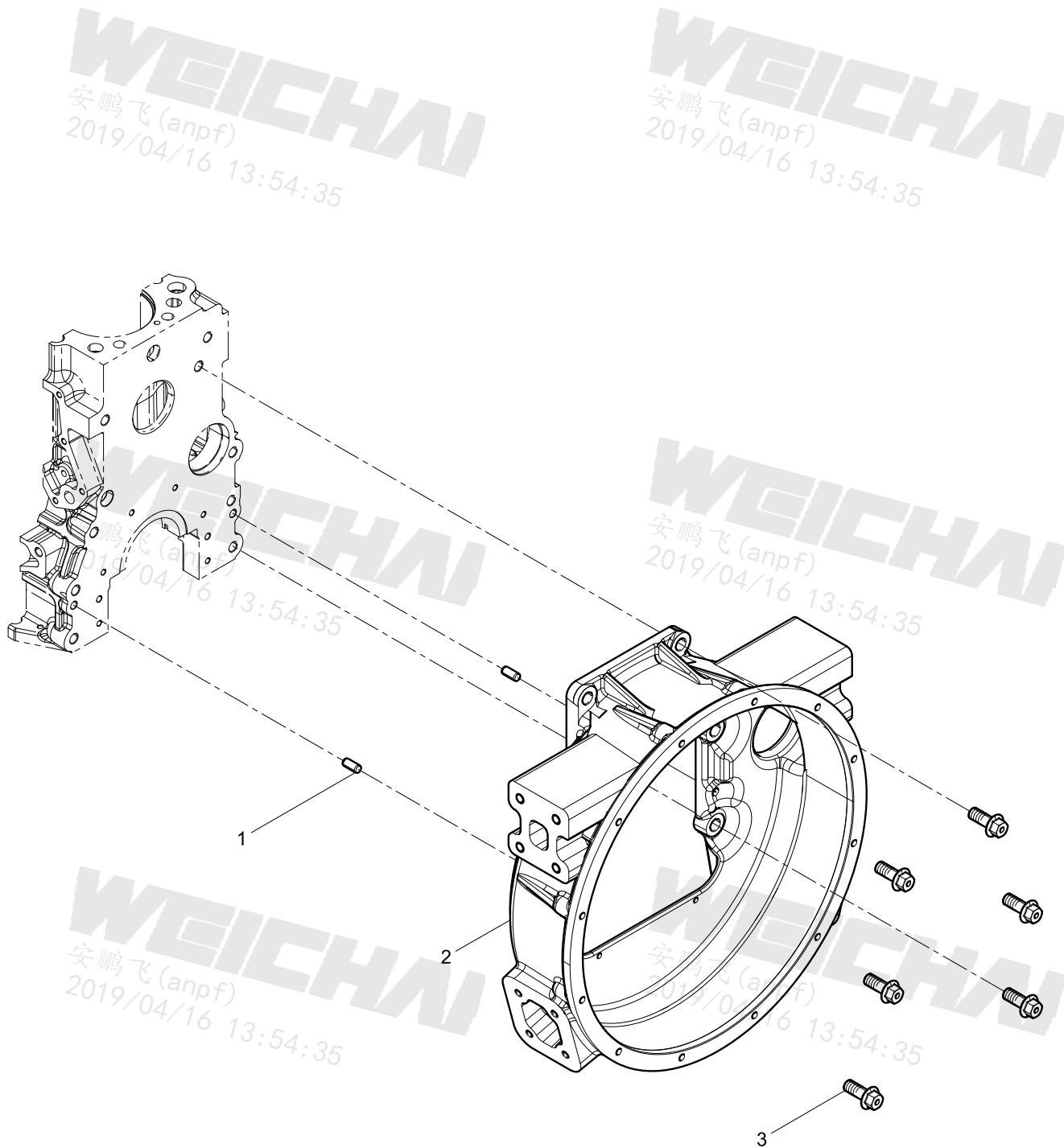


### 活塞喷嘴总成(Piston Nozzle Assembly)





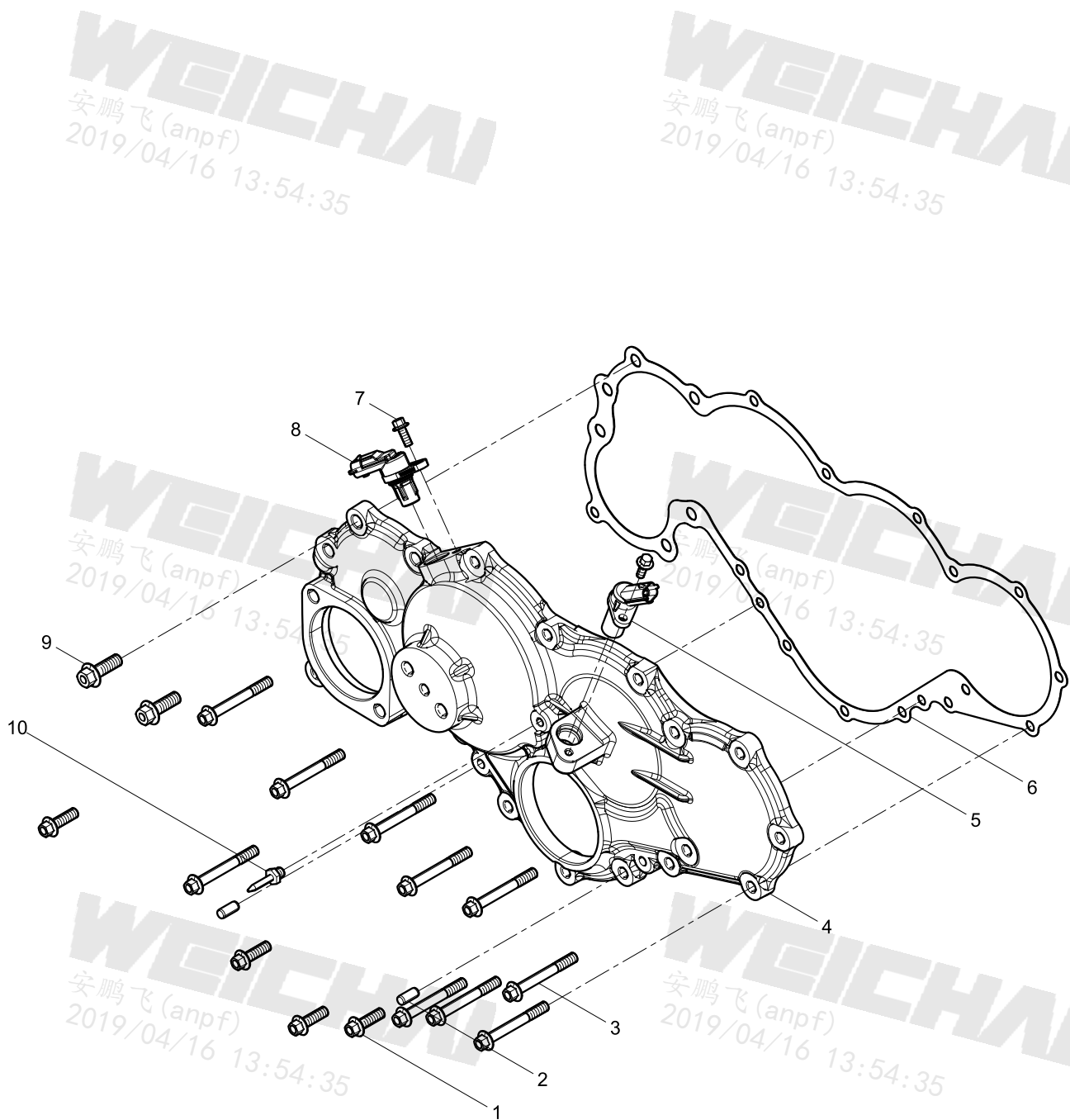
### 飞轮壳结合组(Flywheel Housing Group)





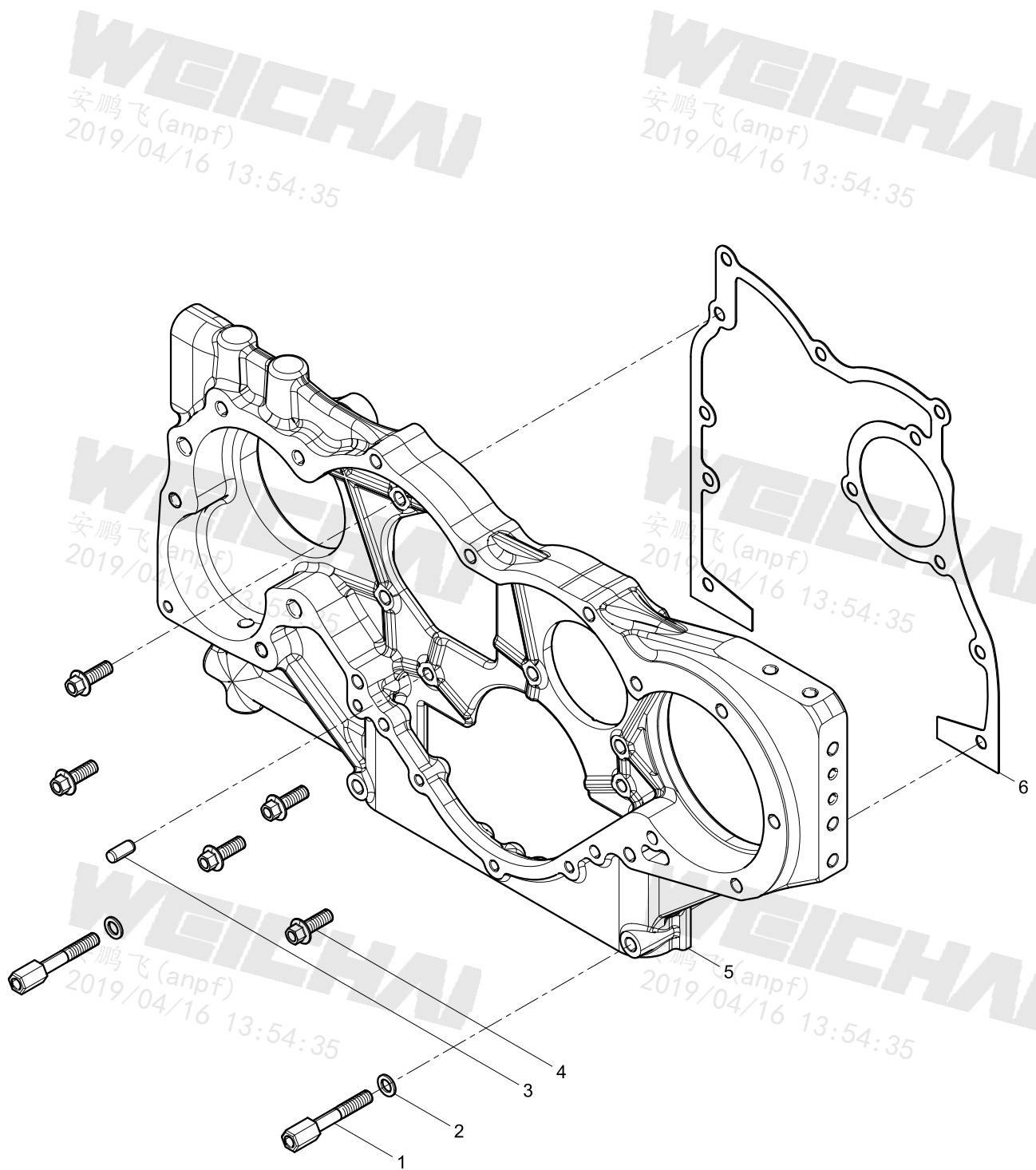


### 齿轮室罩壳结合组(Gear Housing Cover Group)



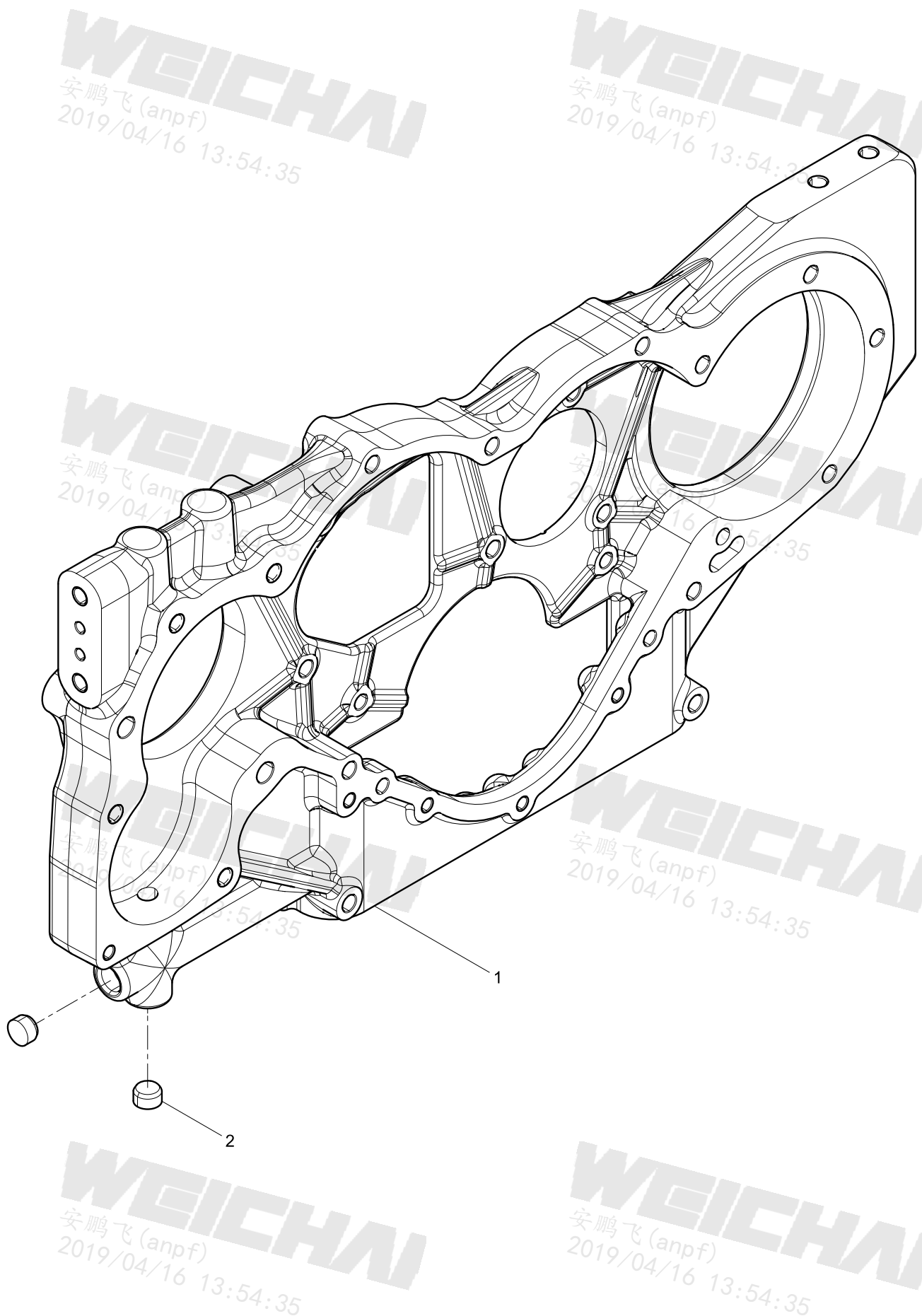


### 齿轮室结合组(Gear Housing Group)



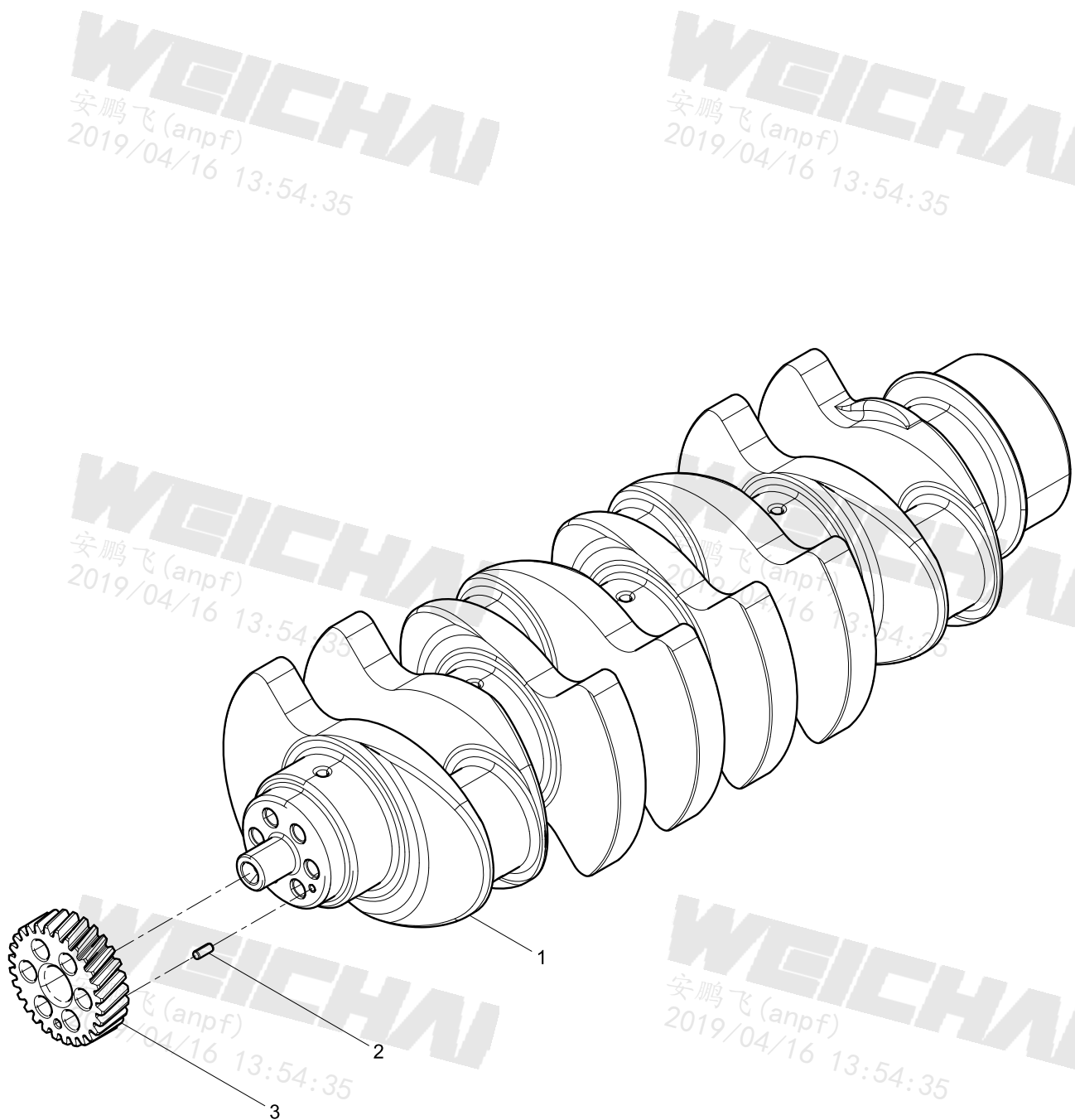


### 齿轮室组件(Gear Box Assembly)





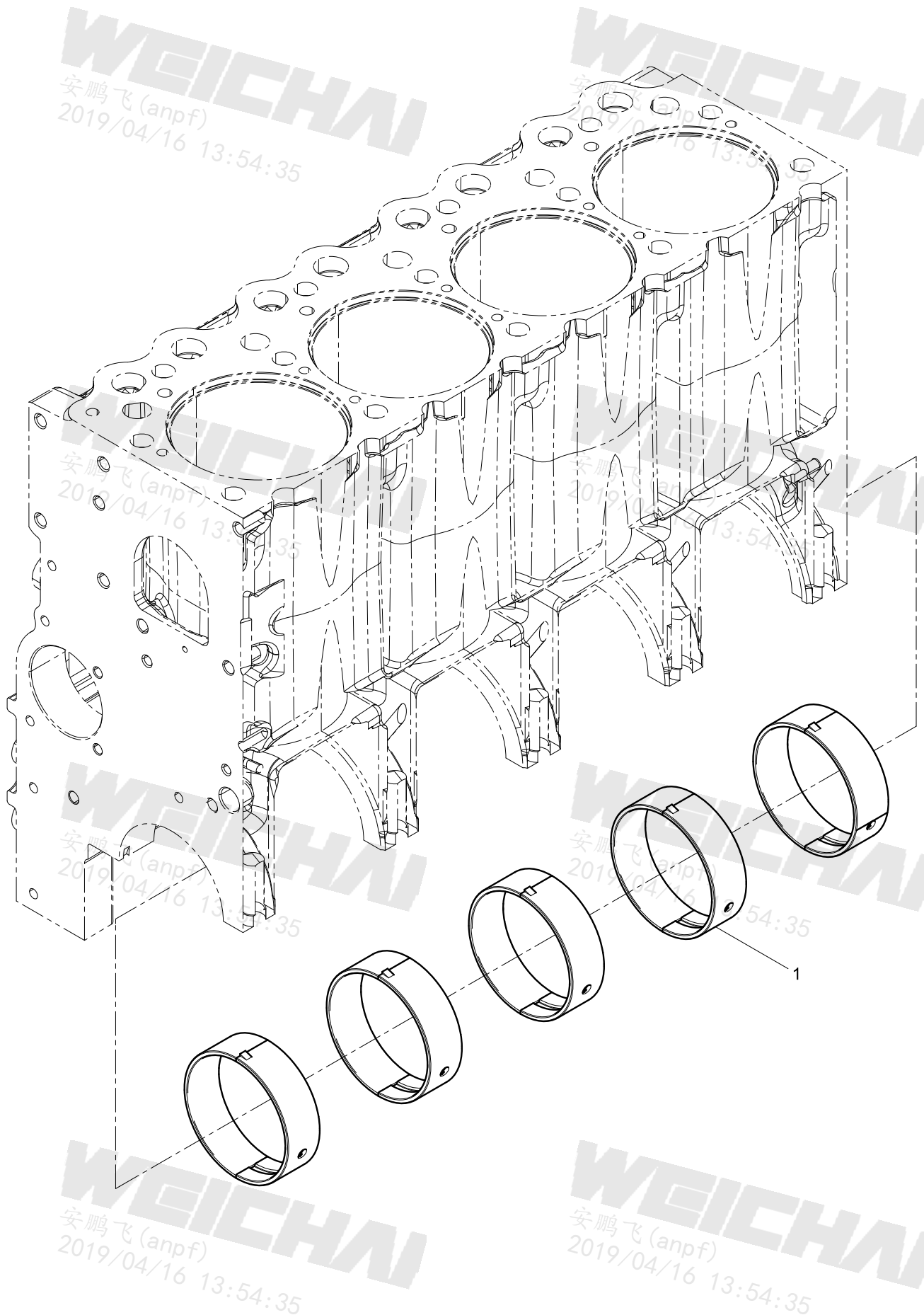
### 曲轴结合组(Crankshaft Group)





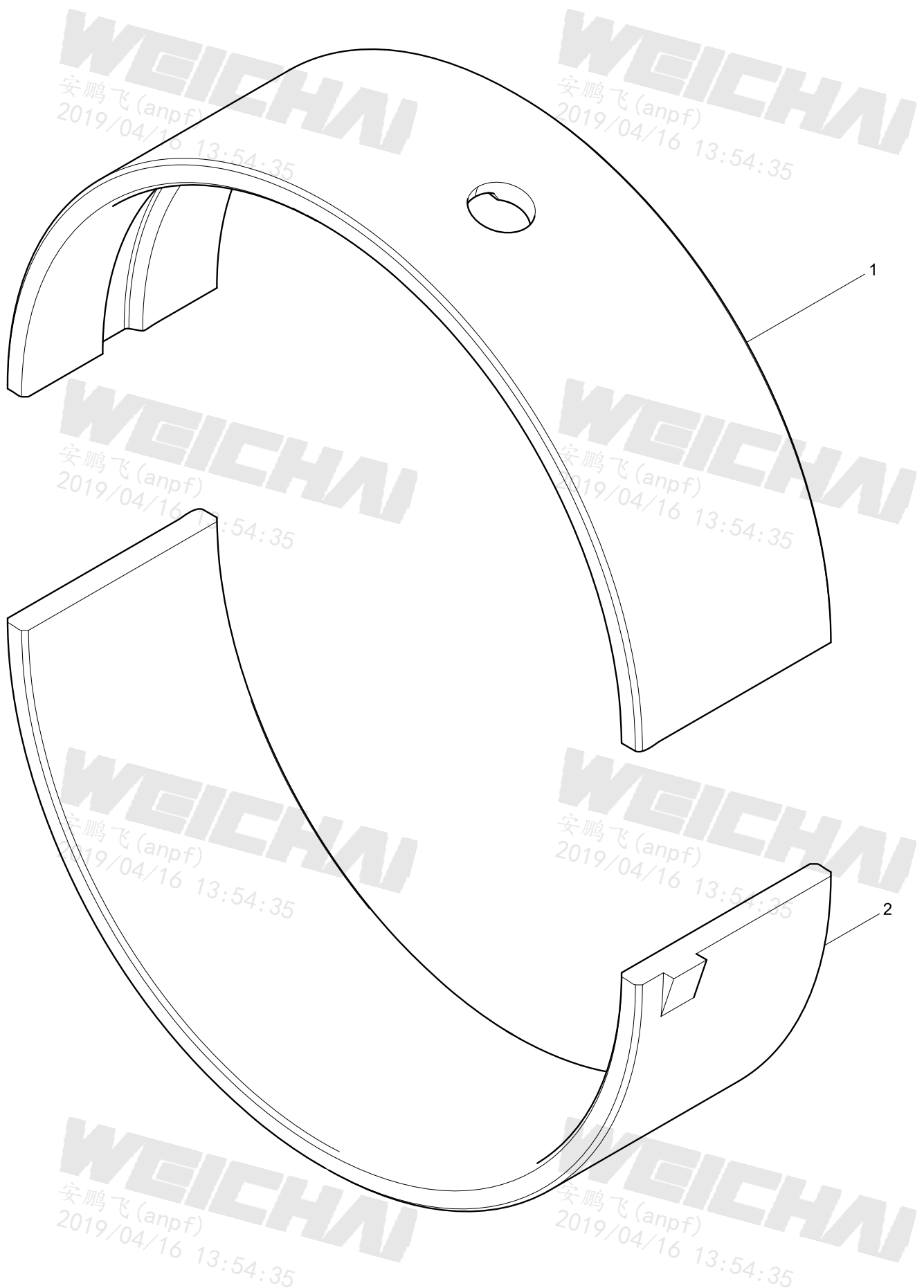


### 主轴瓦结合组(Main Bearing Group)



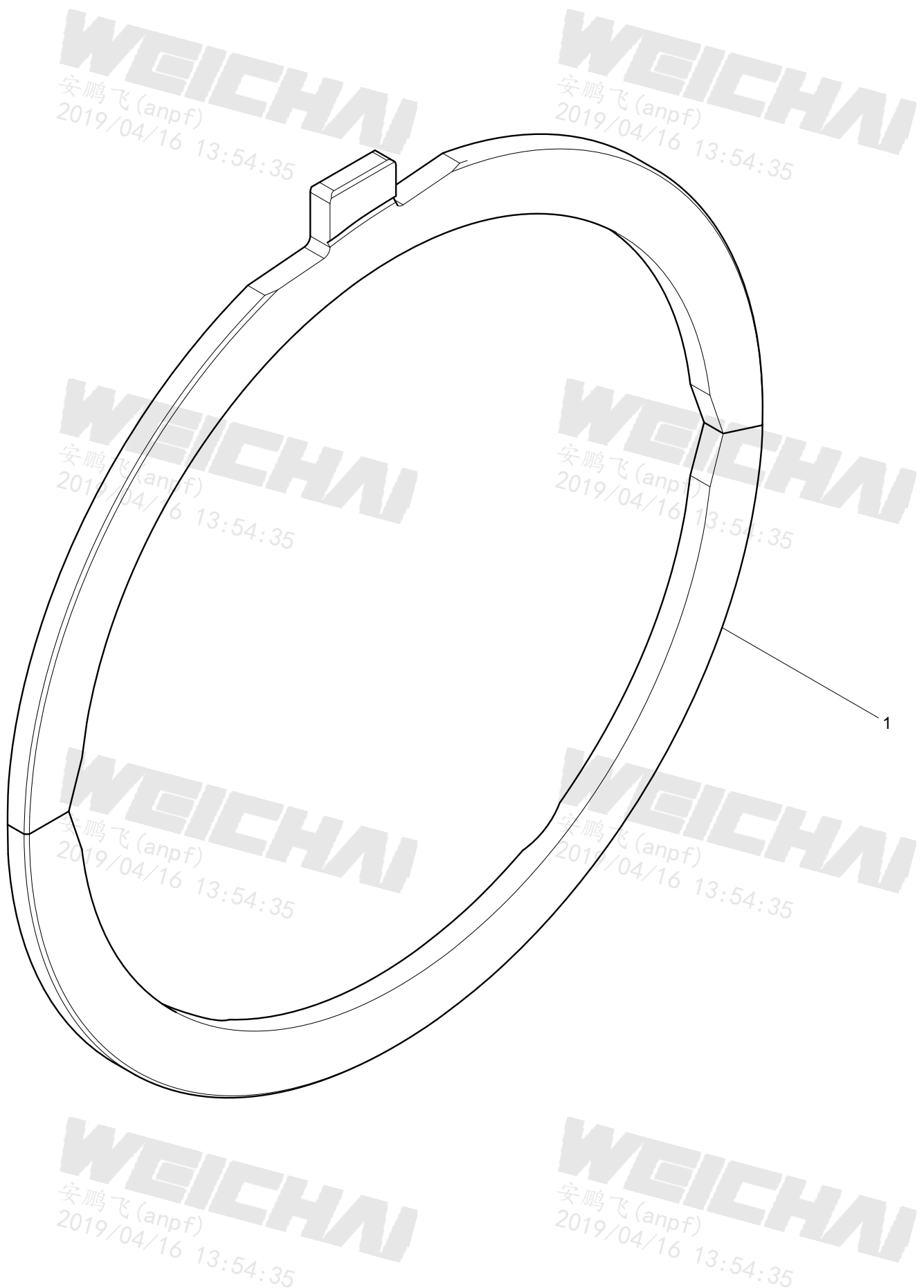


### 主轴瓦组件(Main Bearing Set)



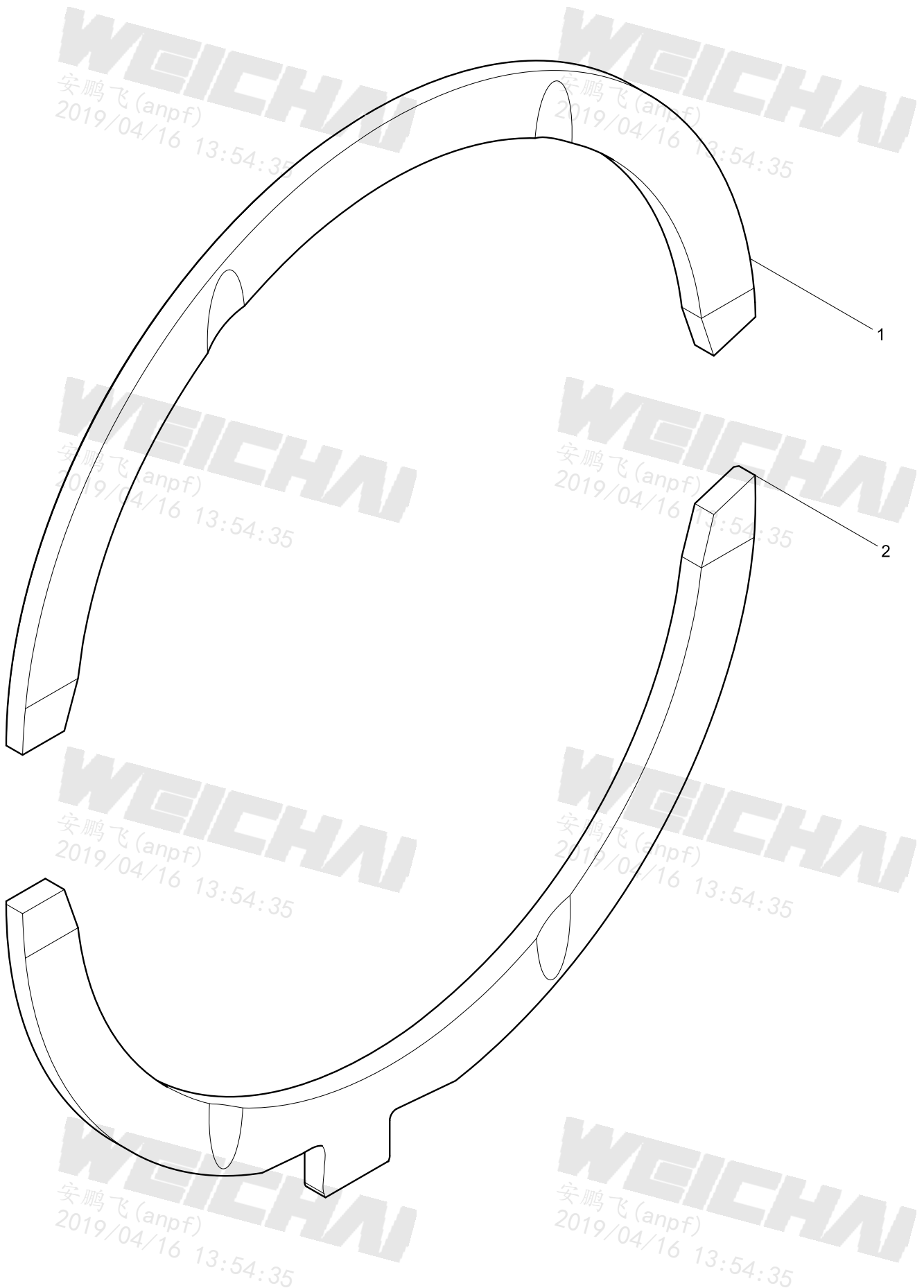


### 止推片结合组(Thrust Plate Group)





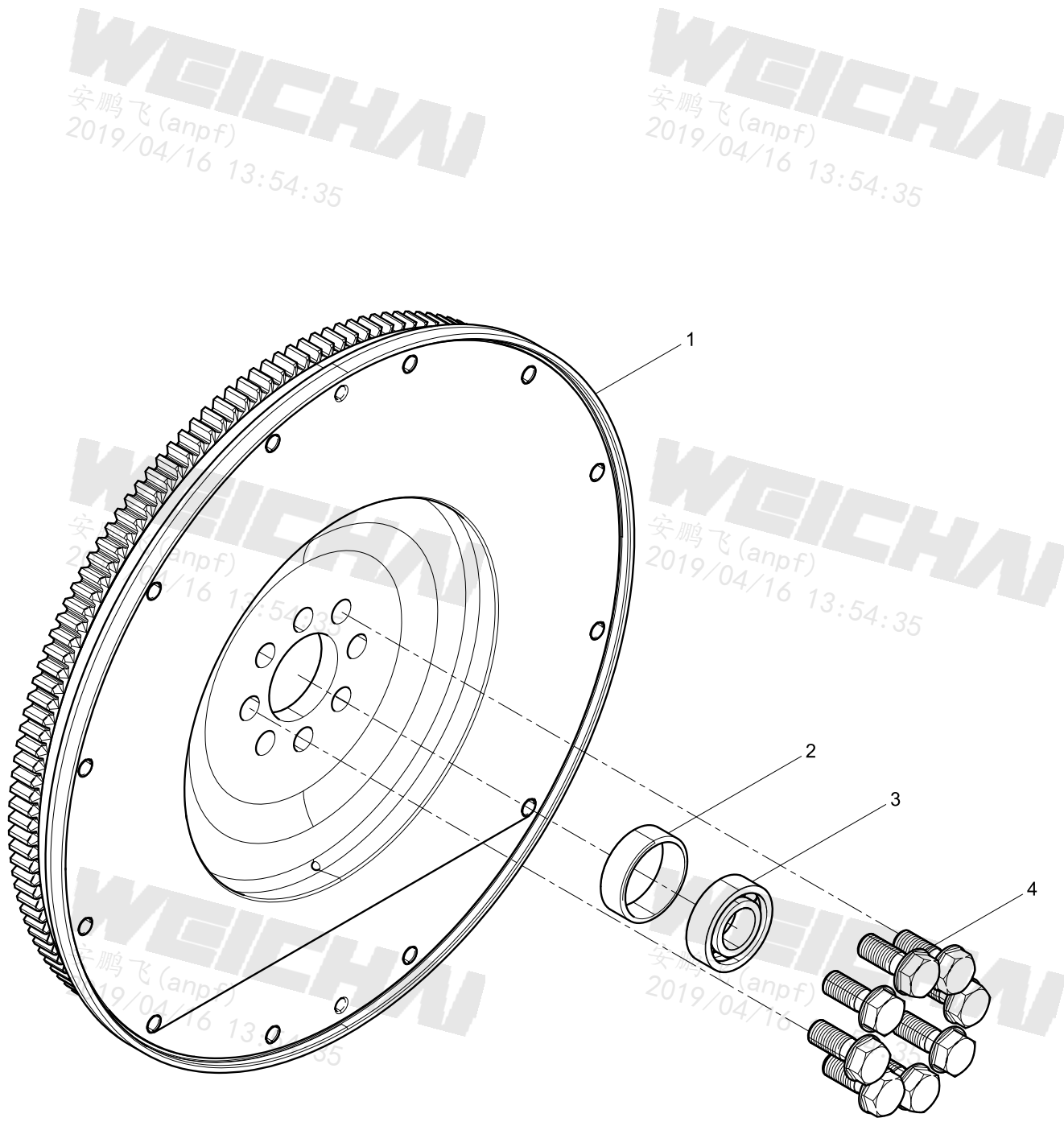
### 止推片(Thrust Plate)





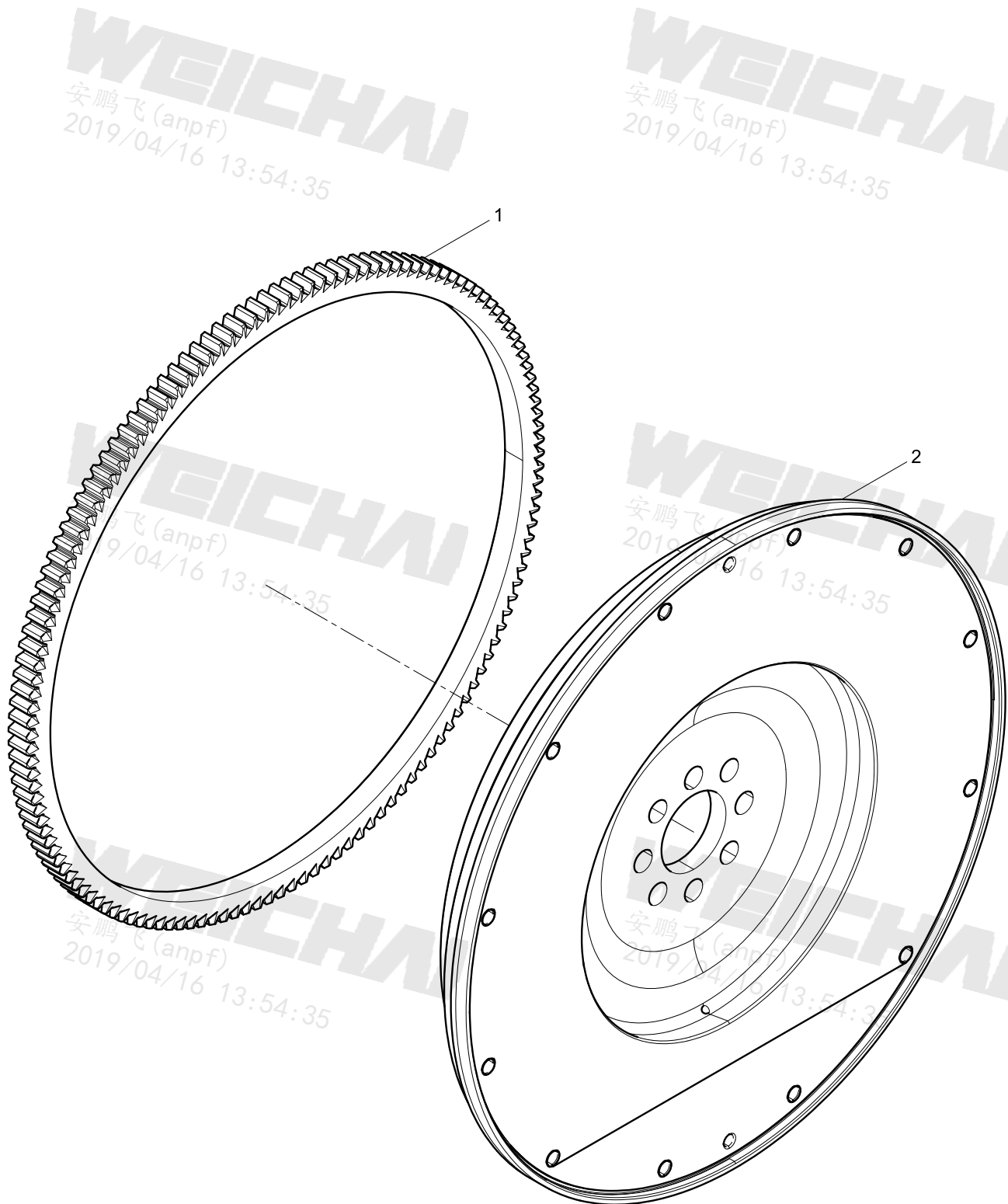


### 飞轮结合组(Flywheel Group)



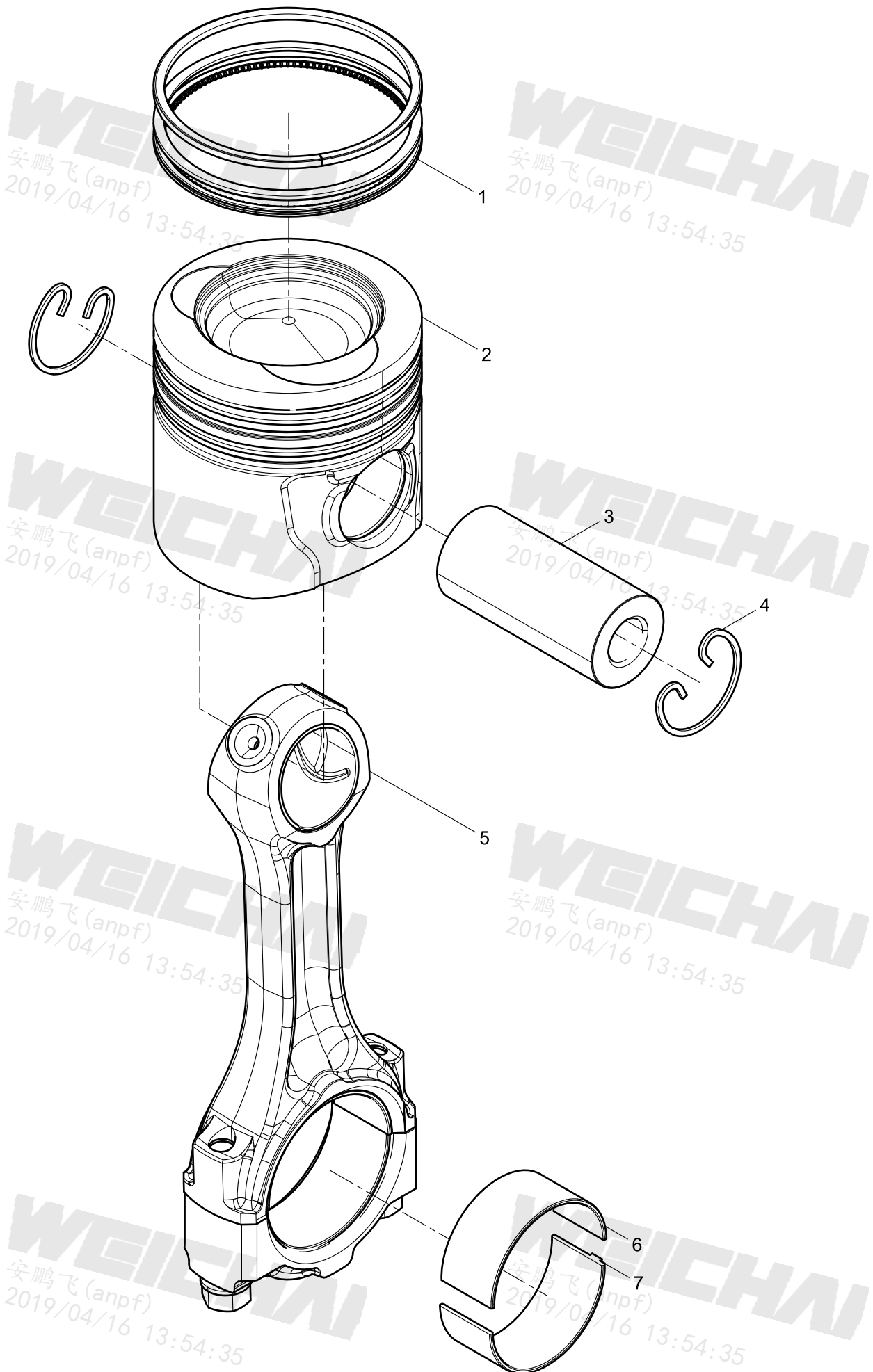


### 飞轮总成(Flywheel Assembly)



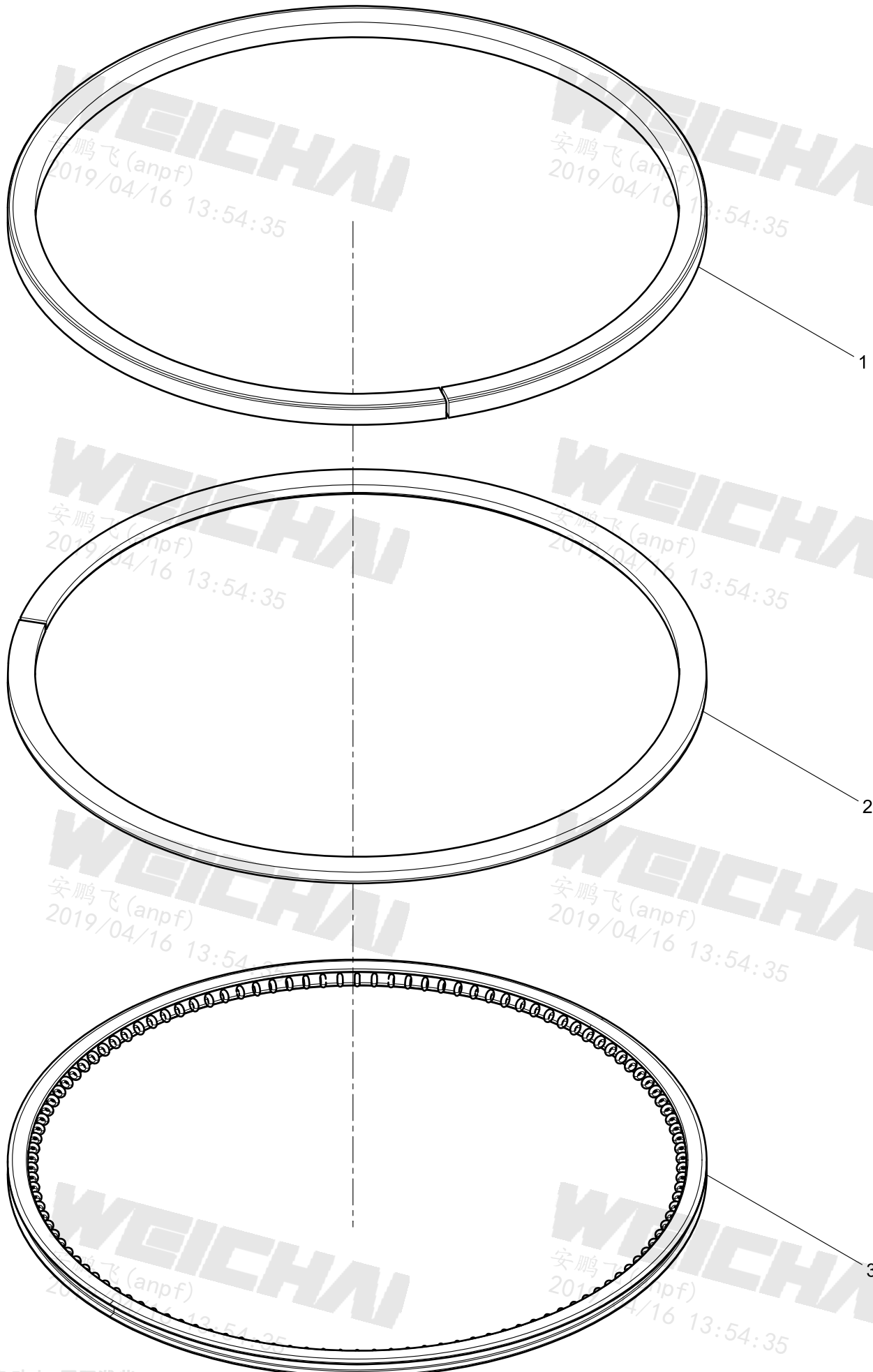


### 活塞连杆结合组(Piston and Connecting Rod Group)





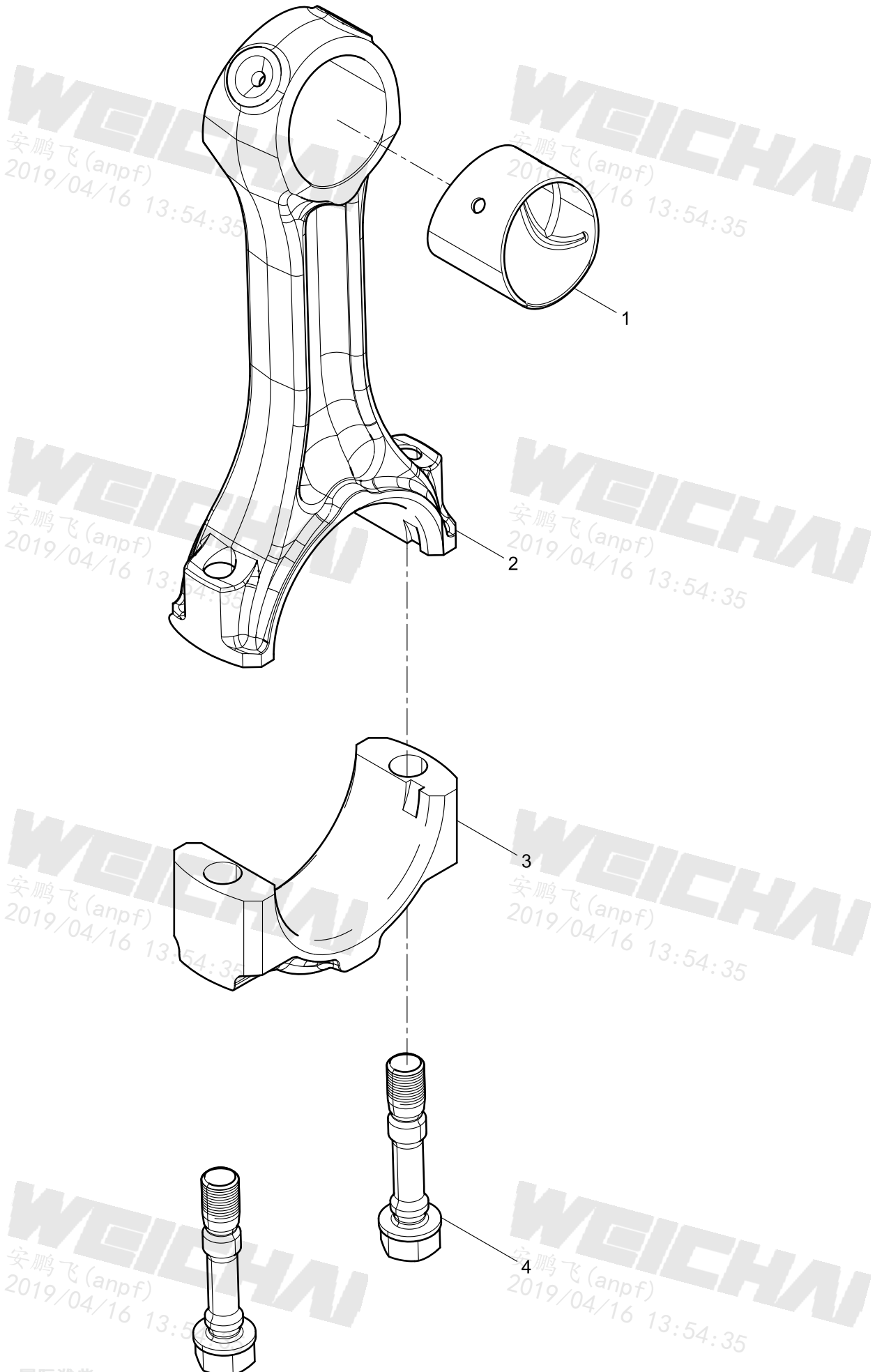
### 活塞环组件(Piston Ring Set)





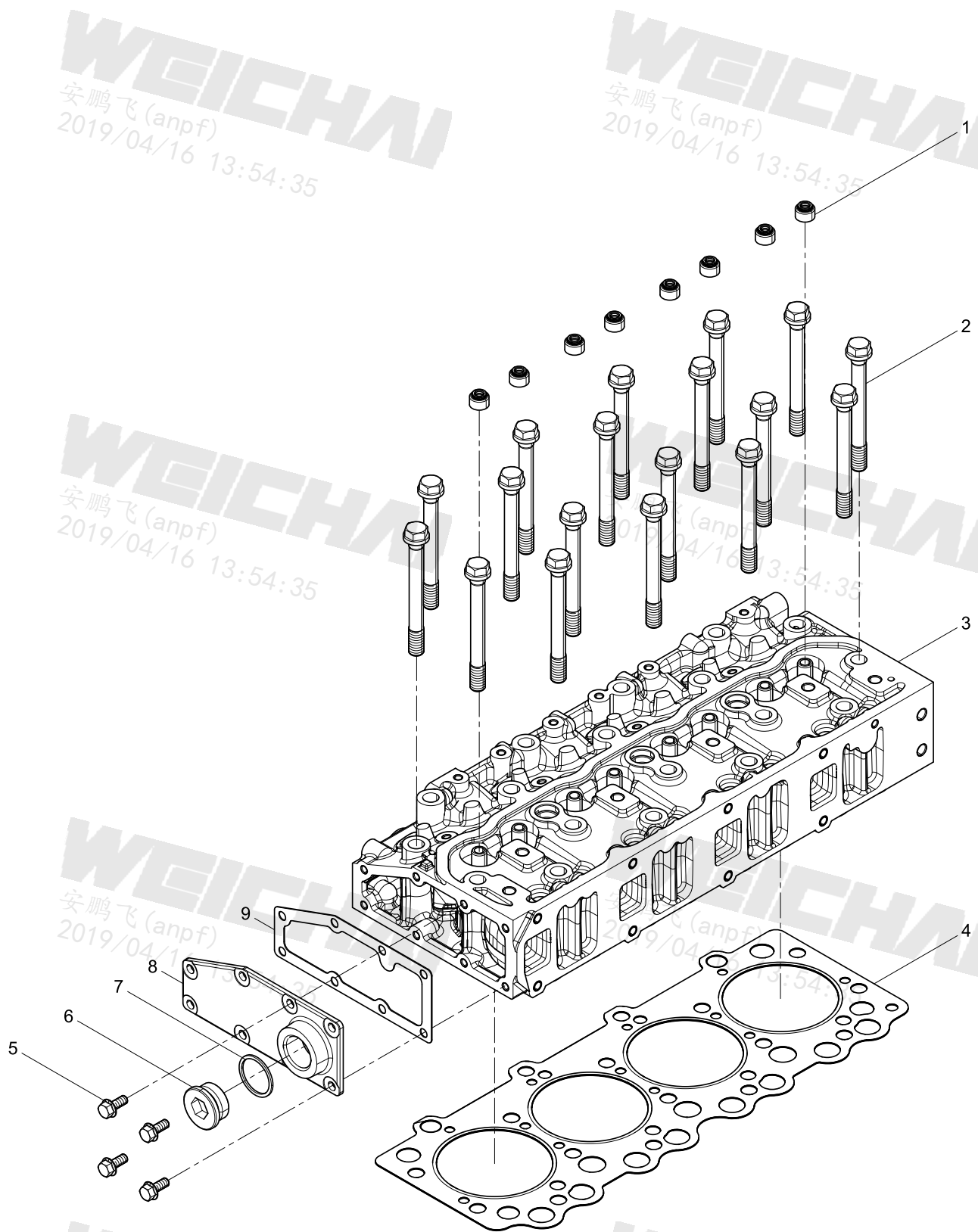


### 连杆总成(Connecting Rod Assembly)



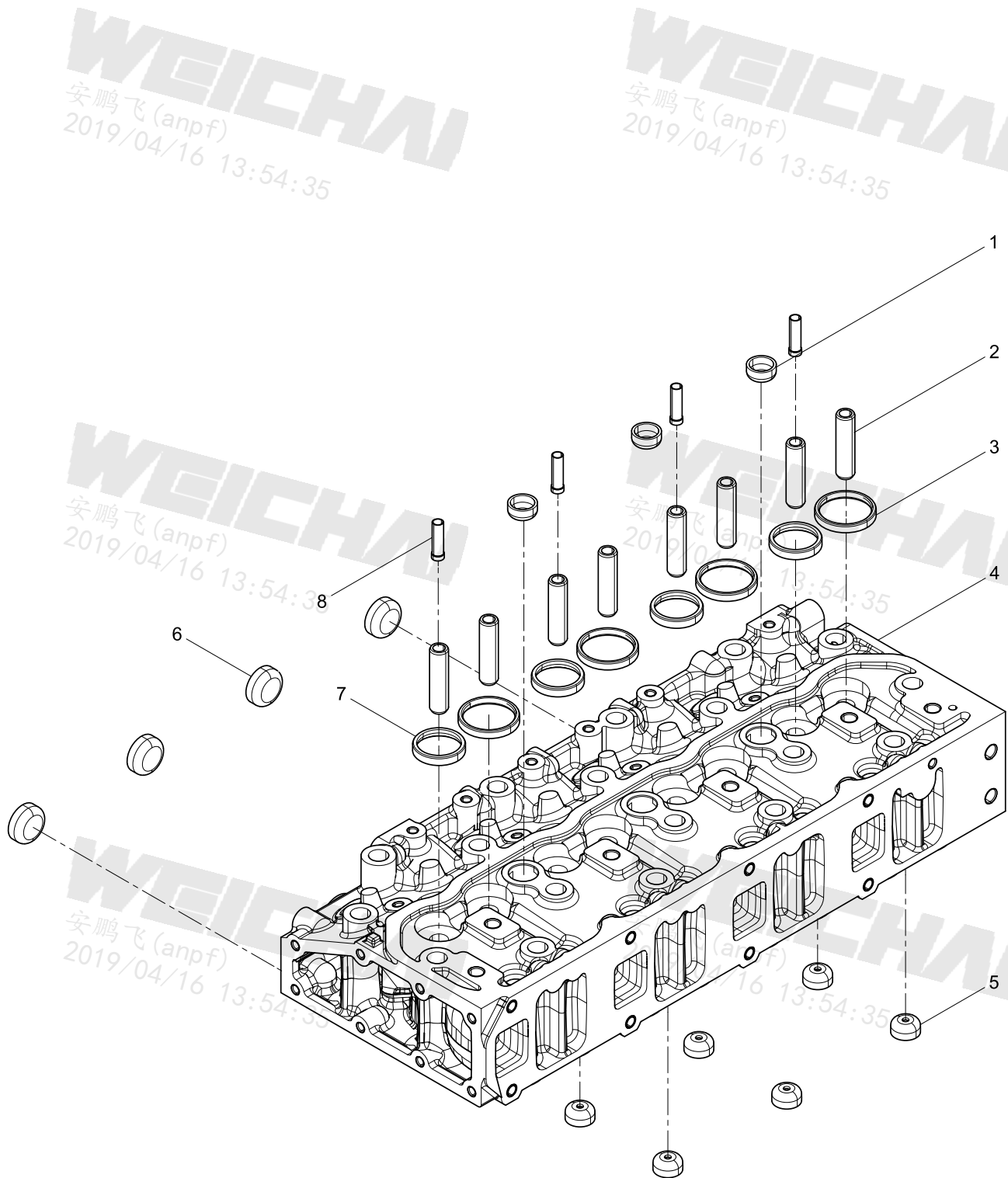


### 气缸盖结合组(Cylinder Head Group)





### 气缸盖分总成(Cylinder Head Subassembly)





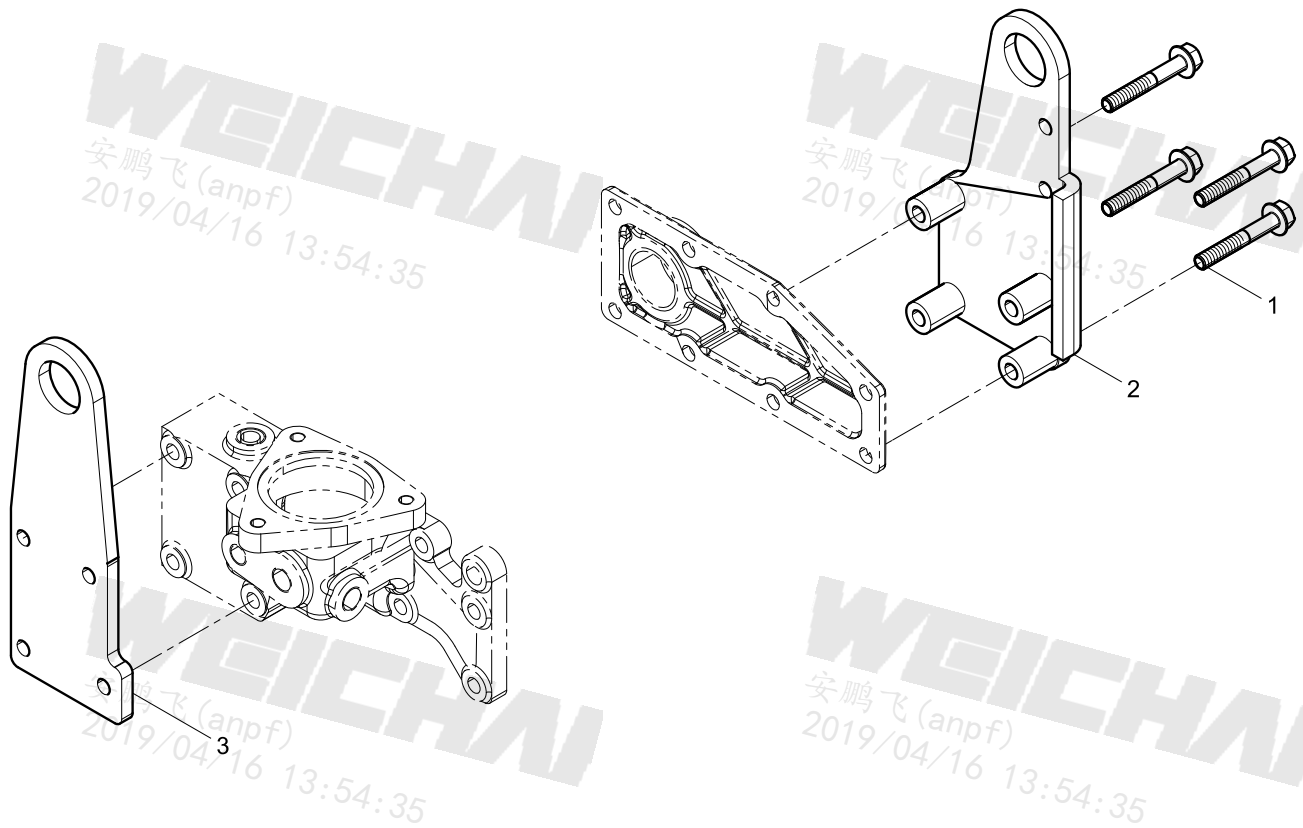
### 吊环结合组(Eye Ring Group)

WEICHAI  
安鹏飞 (anpf)  
2019/04/16 13:54:35

WEICHAI  
安鹏飞 (anpf)  
2019/04/16 13:54:35

WEICHAI  
安鹏飞 (anpf)  
2019/04/16 13:54:35

WEICHAI  
安鹏飞 (anpf)  
2019/04/16 13:54:35



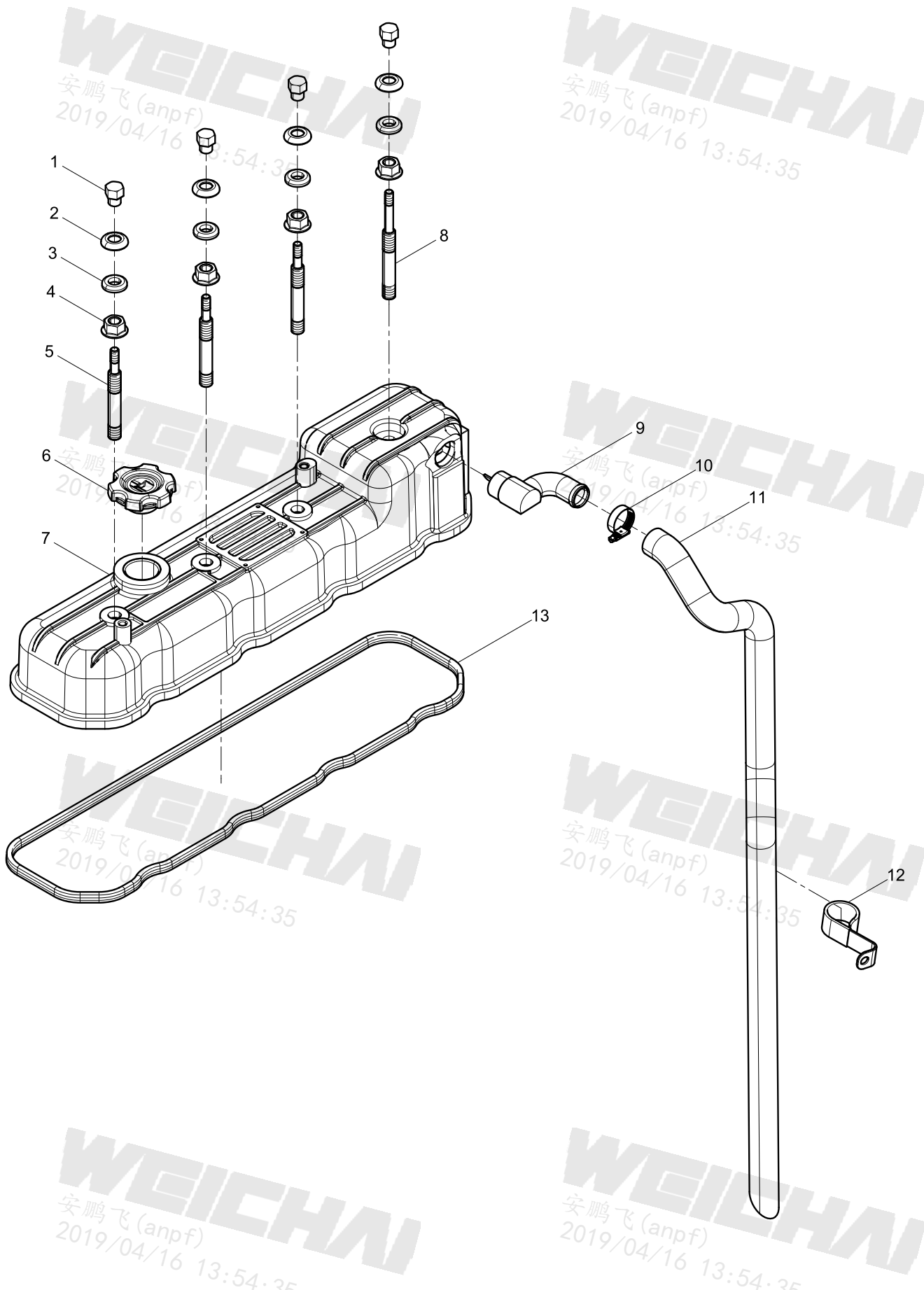
WEICHAI  
安鹏飞 (anpf)  
2019/04/16 13:54:35

WEICHAI  
安鹏飞 (anpf)  
2019/04/16 13:54:35



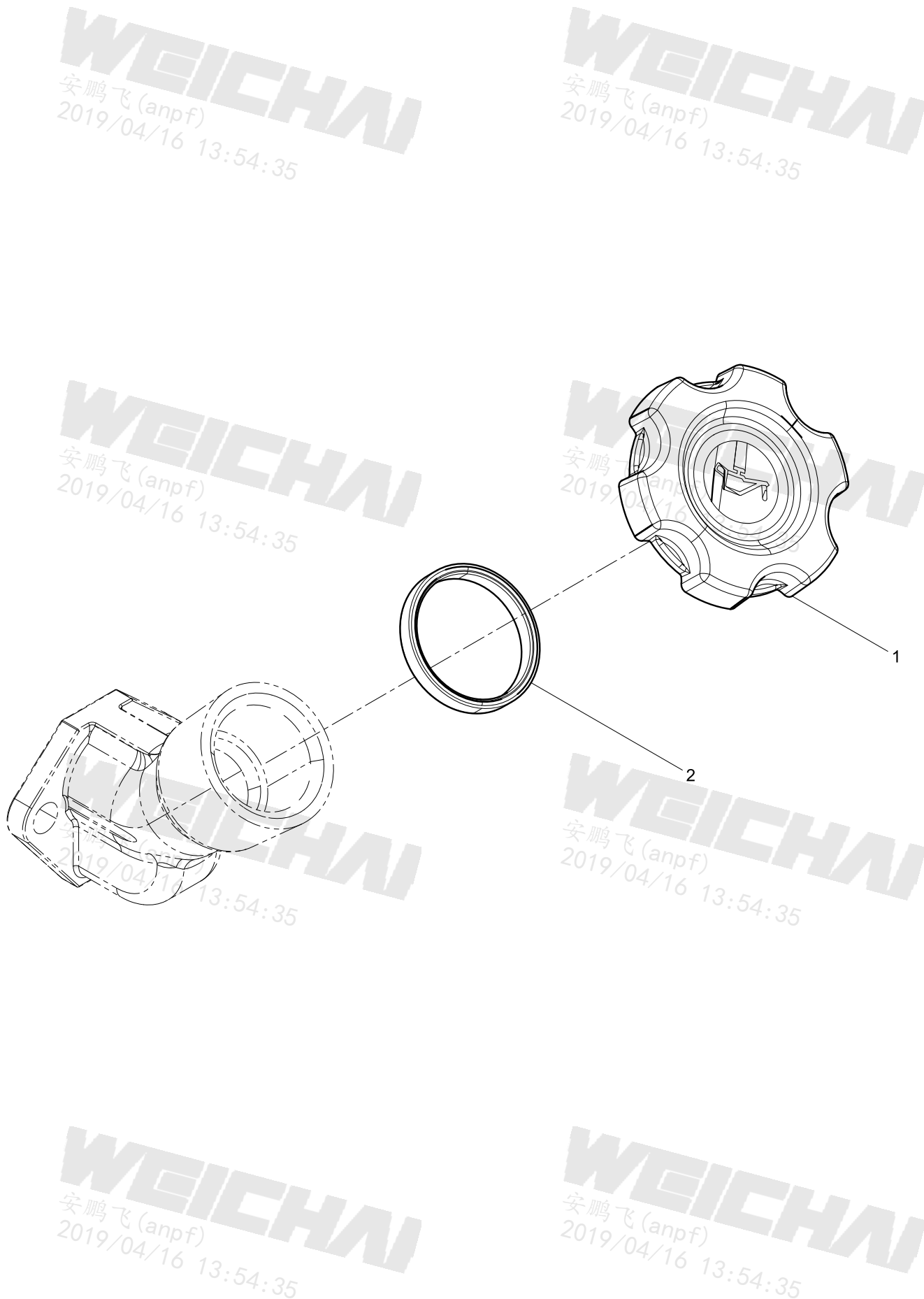


### 气缸盖罩结合组(Cylinder Head Cover Group)



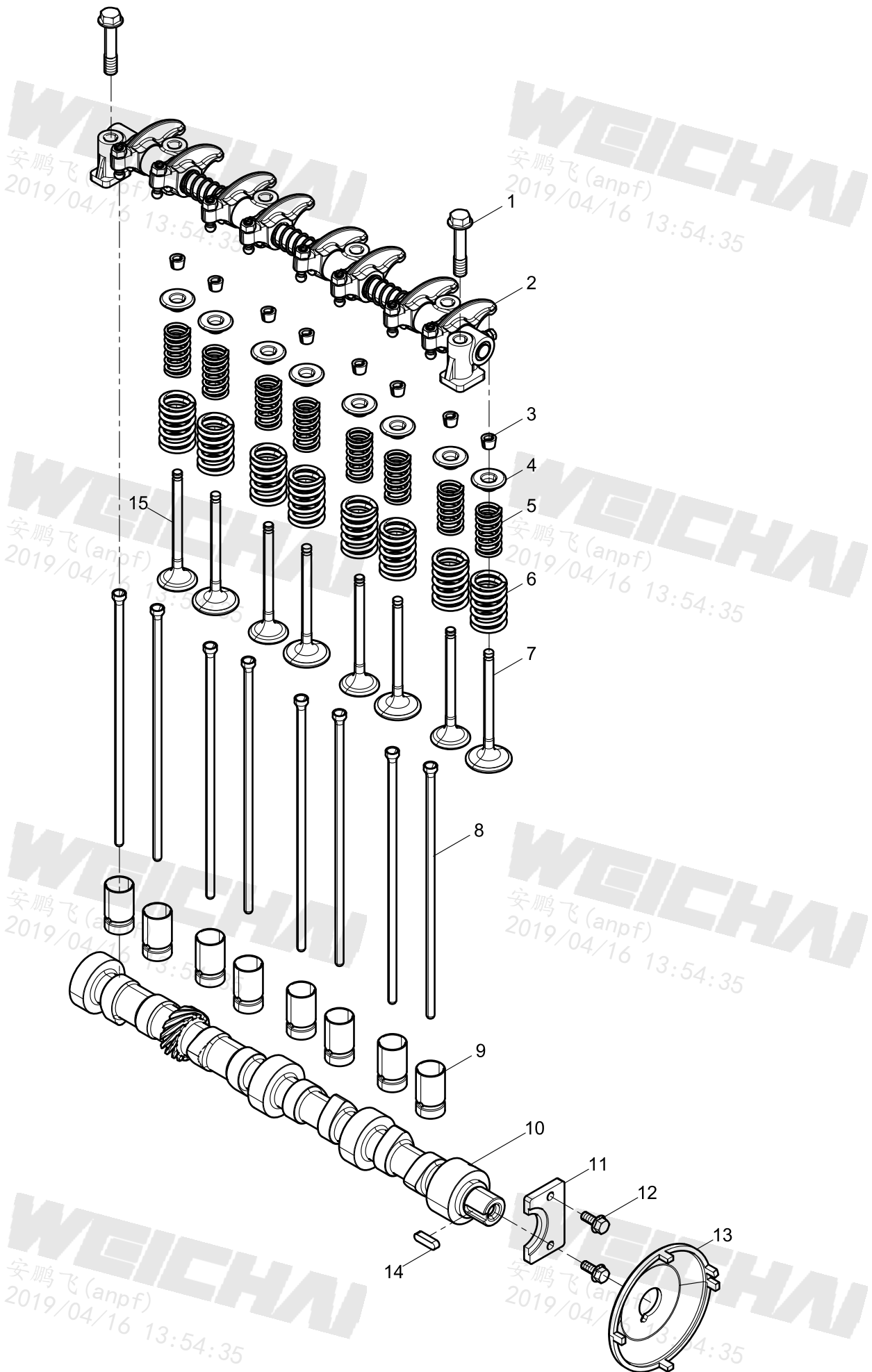


### 加机油口盖组件()



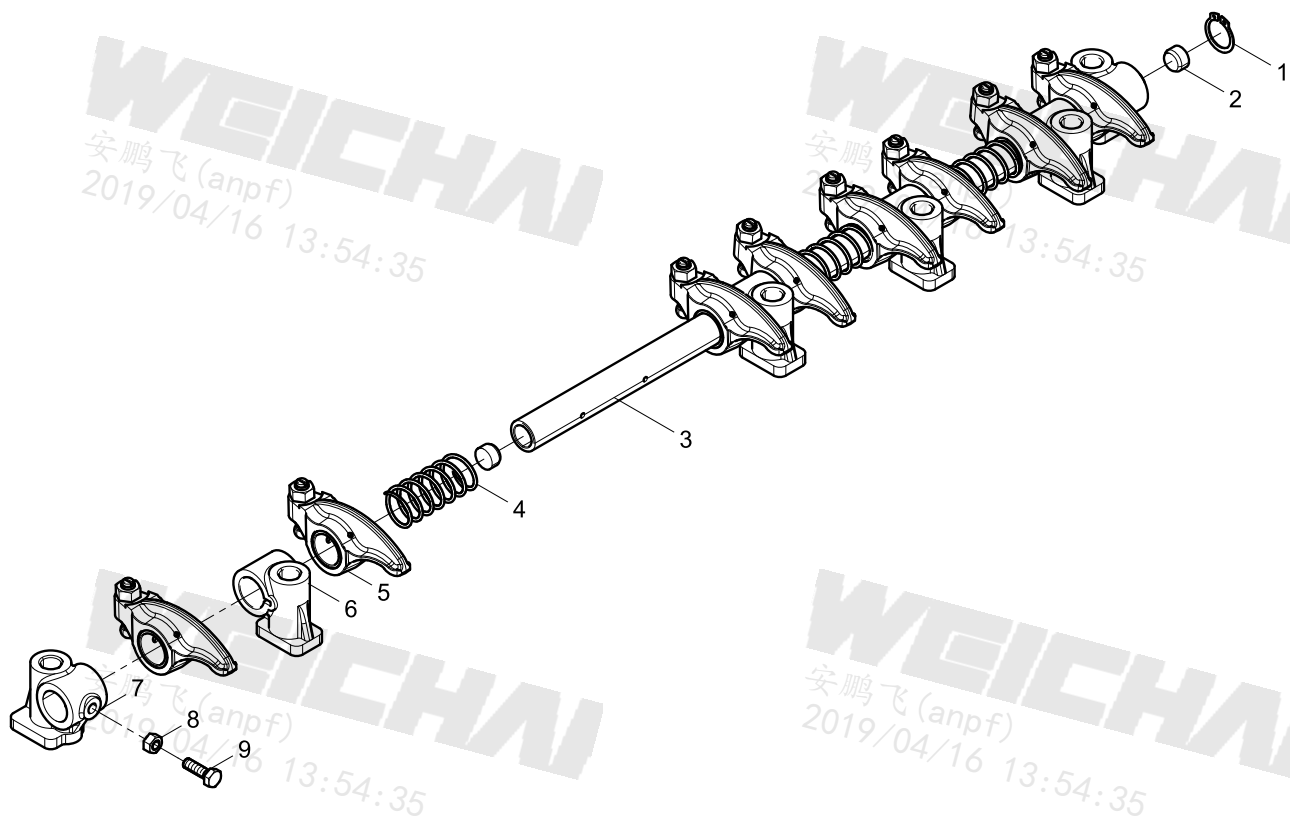


### 配气机构结合组(Valve Train Group)





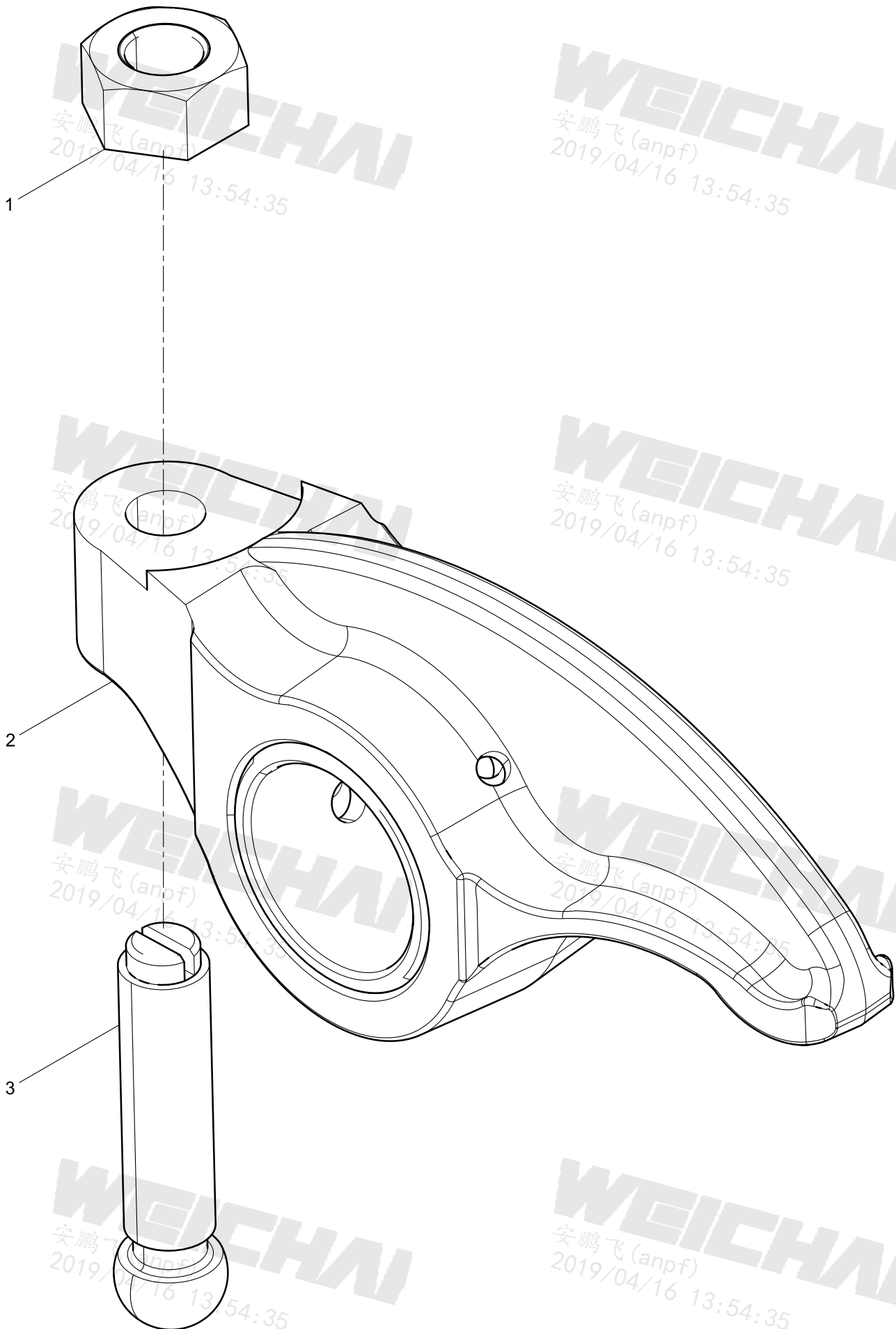
### 整体式摇臂轴总成(Integrated Rocker Arm Shaft Assembly)





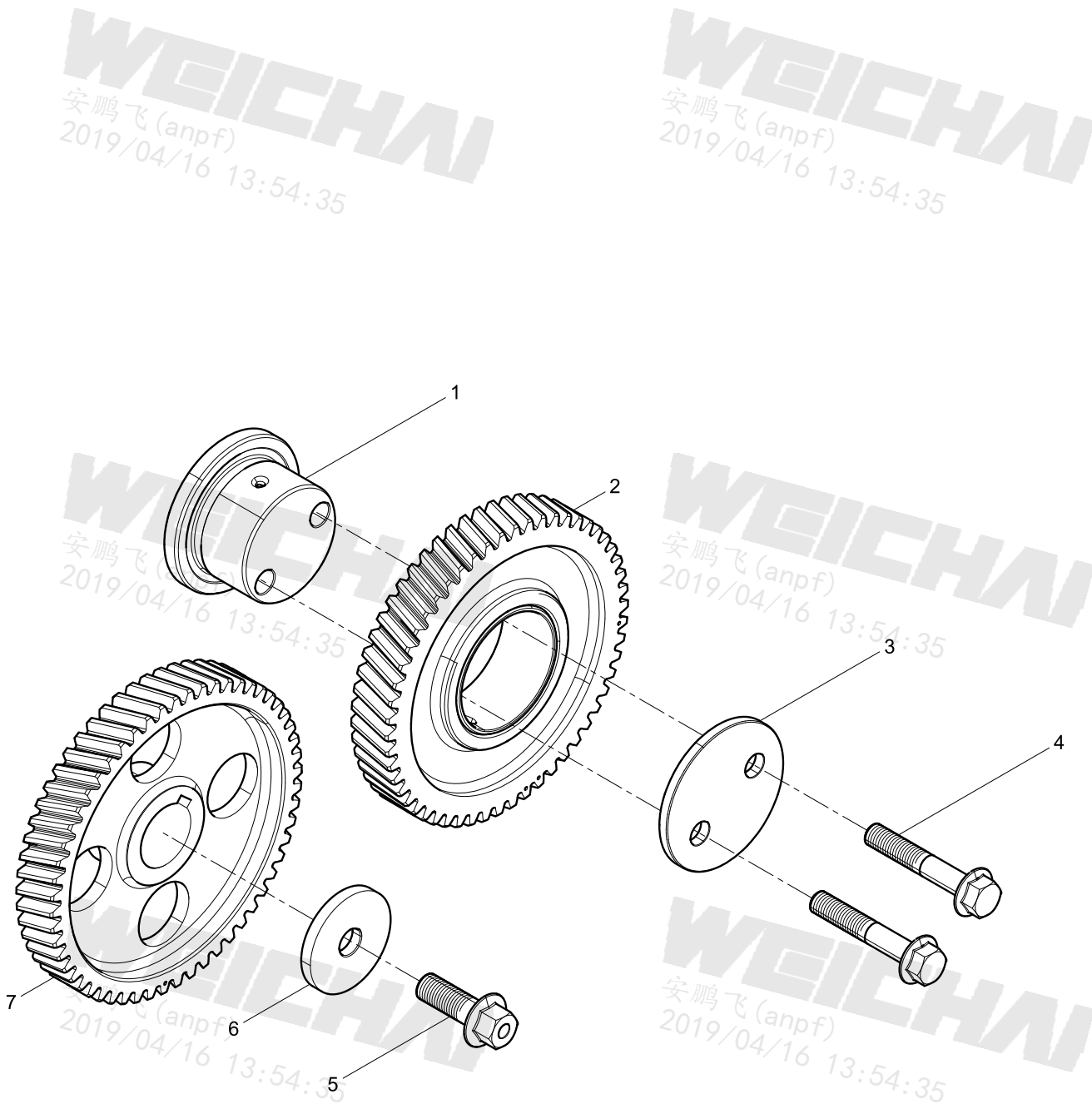


### 摇臂总成(Rocker arm assembly)



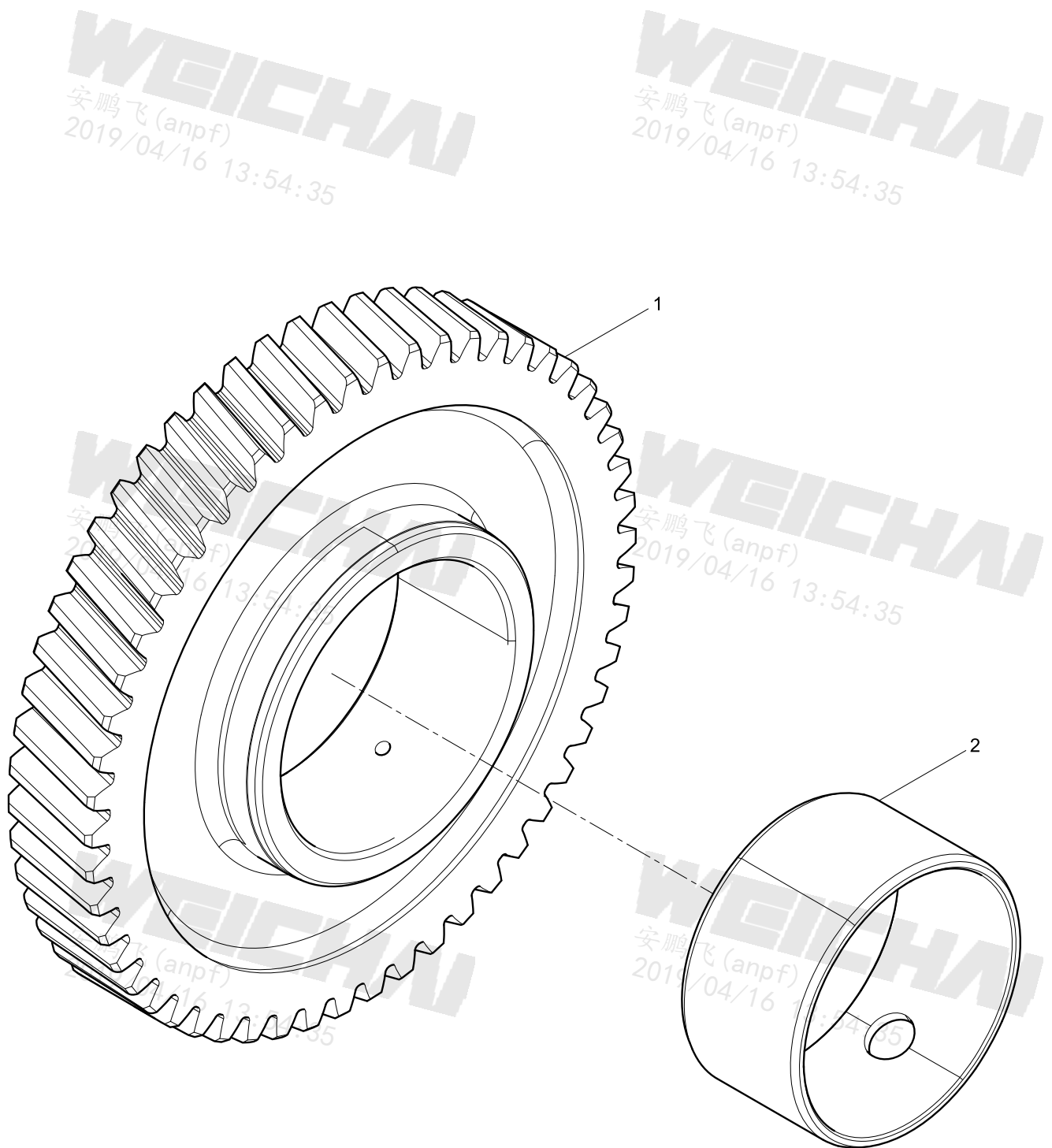


### 齿轮传动结合组(Gear Drive Group)



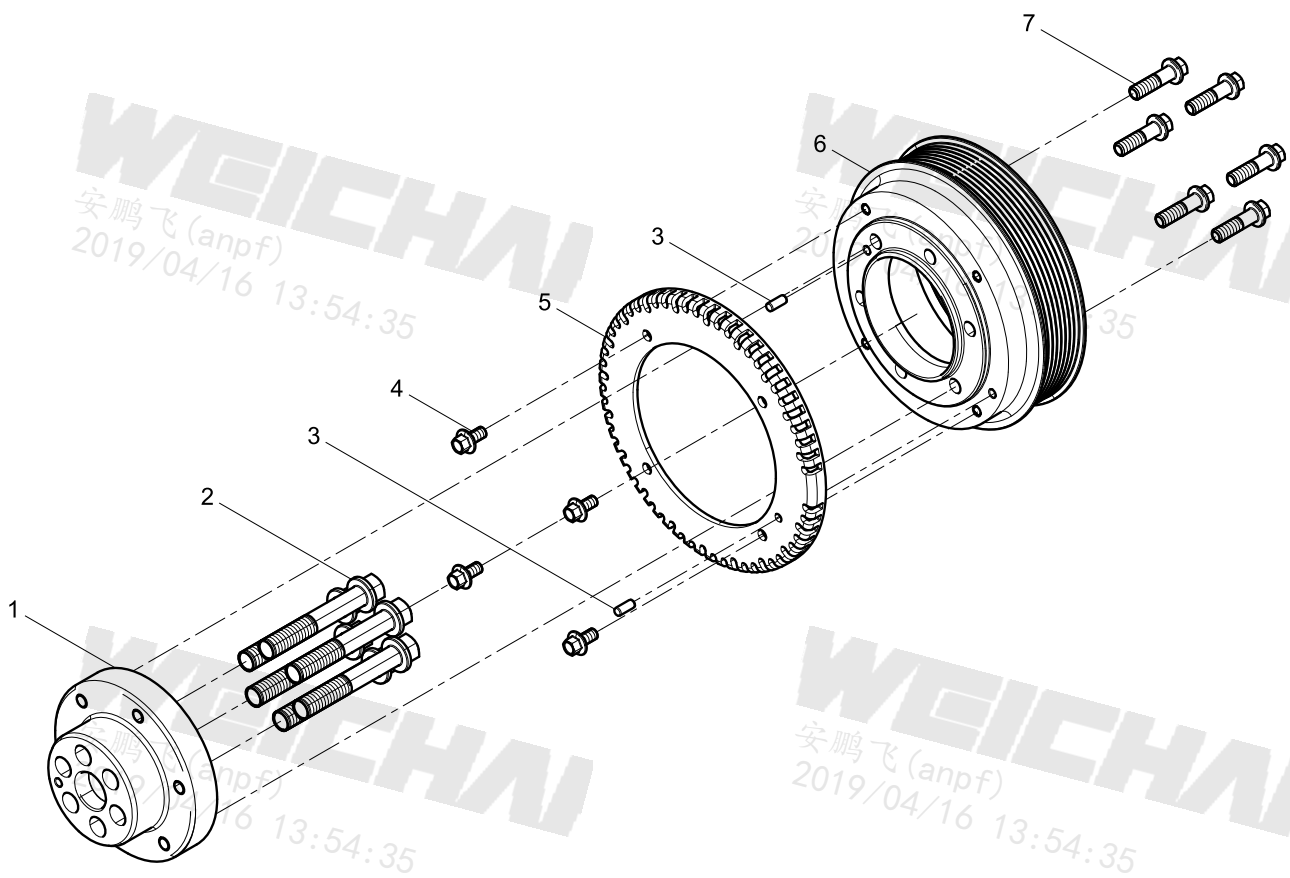


### 中间齿轮组件(Idler Gear Set)





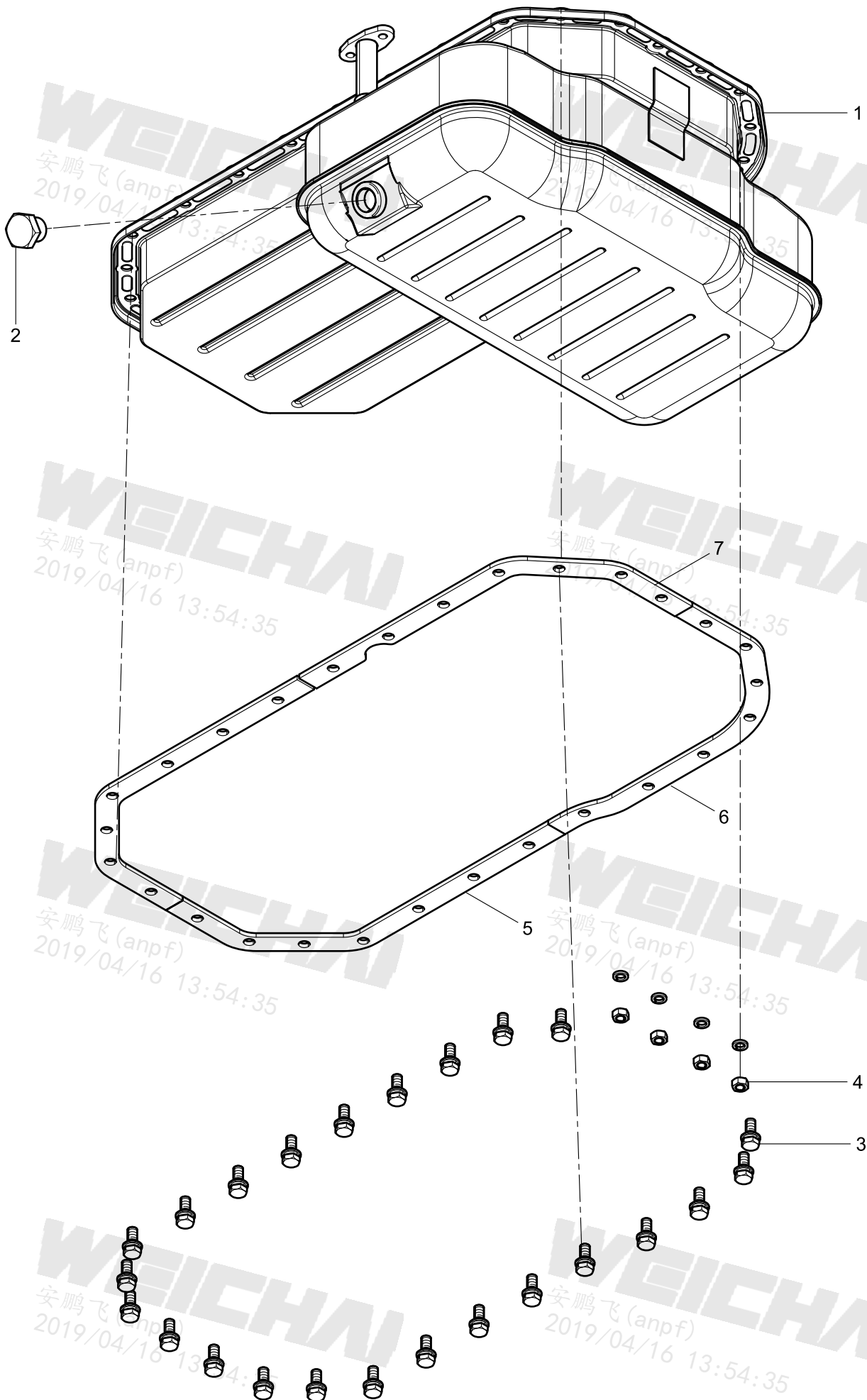
### 曲轴皮带轮结合组(Crankshaft Pulley Group)





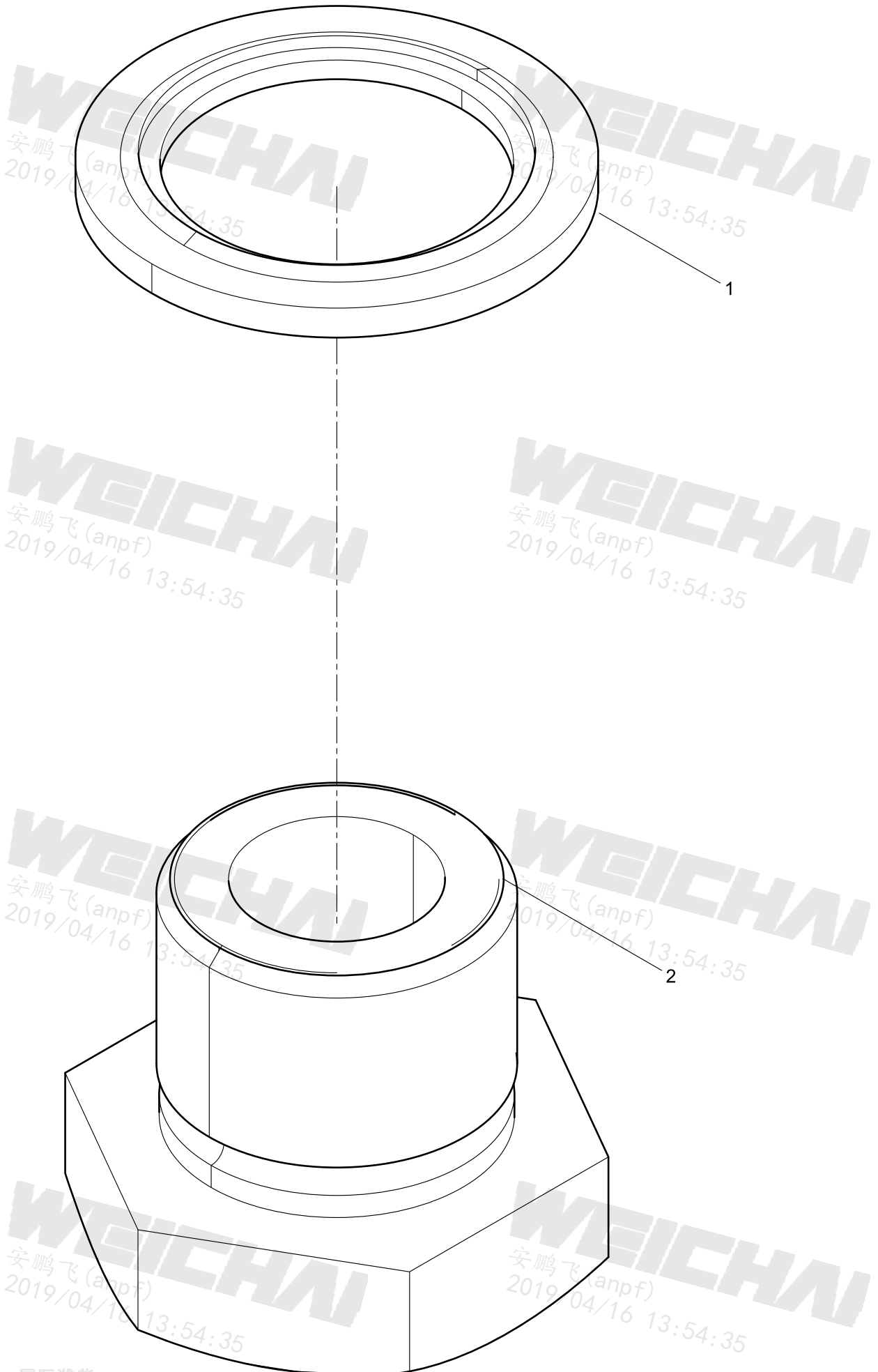


### 油底壳结合组(Oil Pan Group)



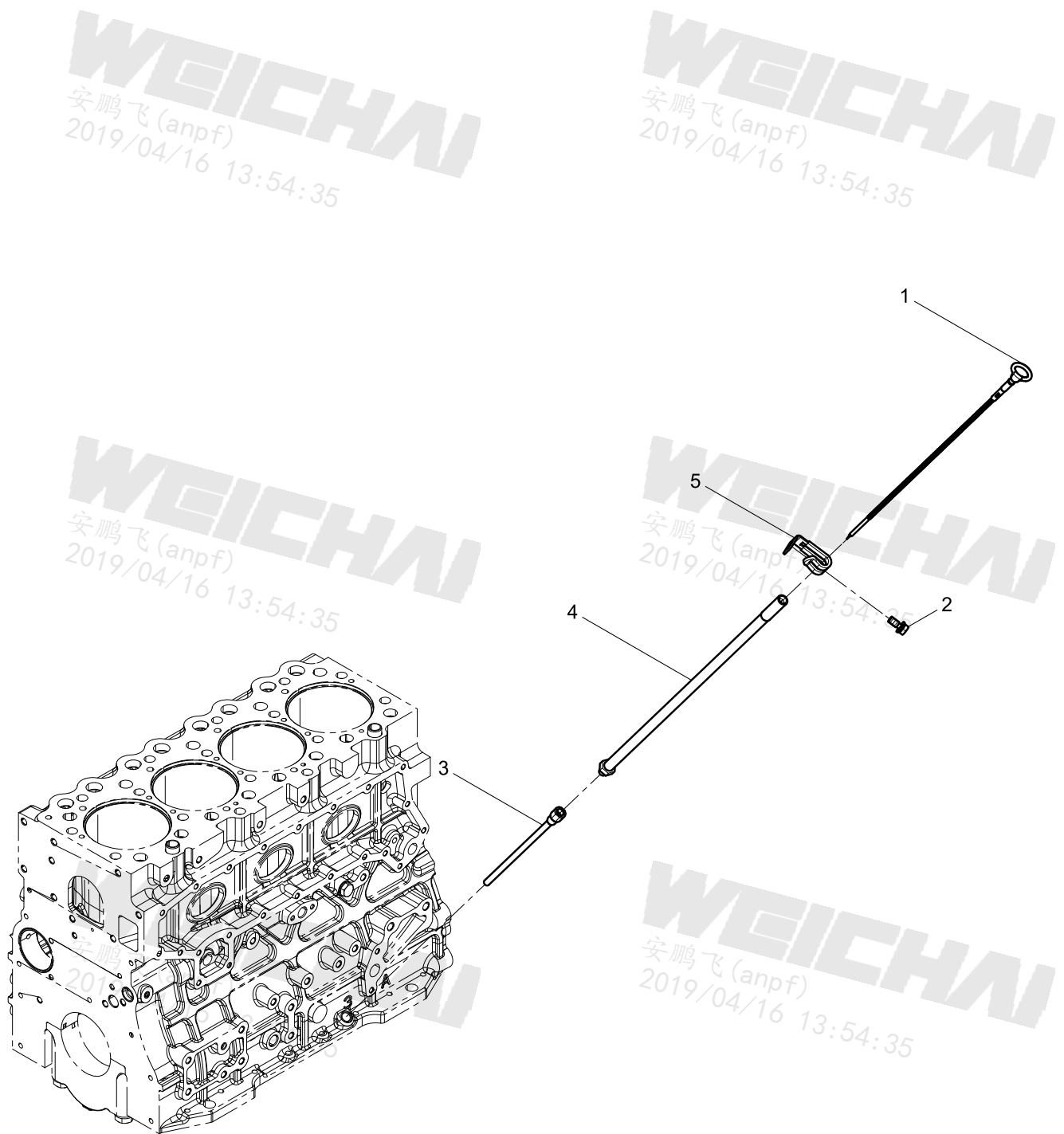


### 放油螺塞(Oil Drain Plug)



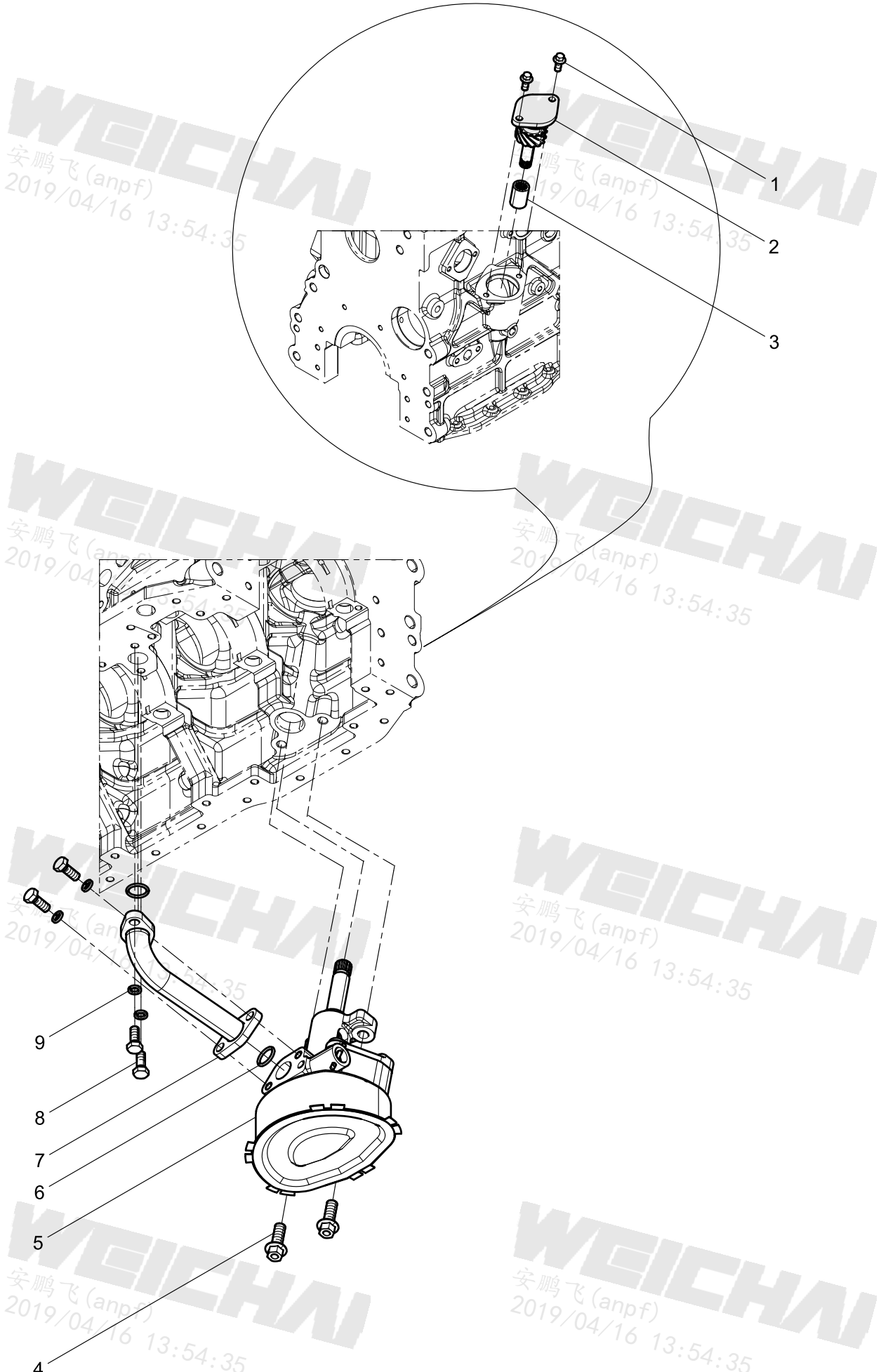


### 油标尺结合组(Oil Dipstick Group)





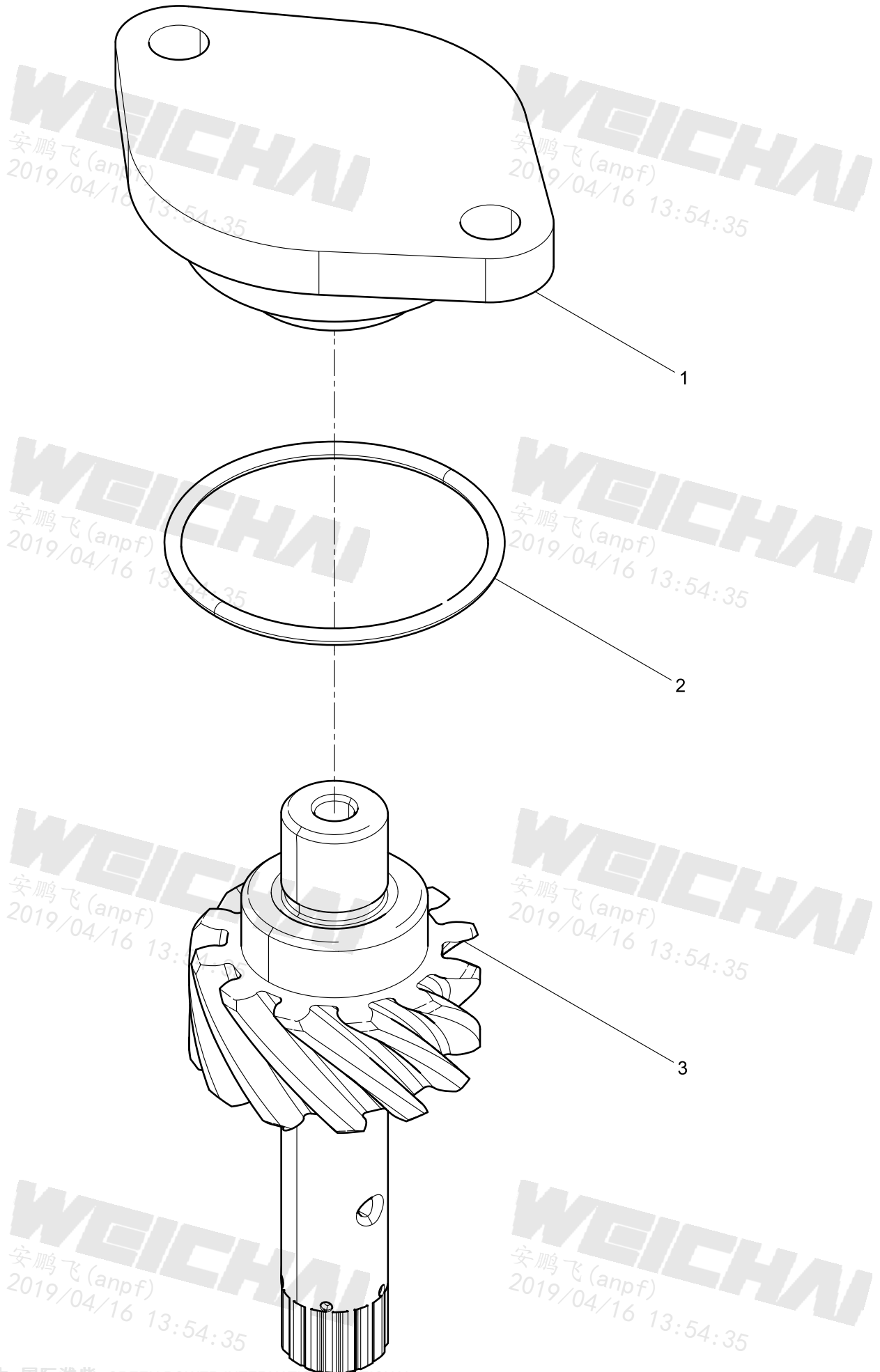
### 机油泵结合组(Oil Pump Group)





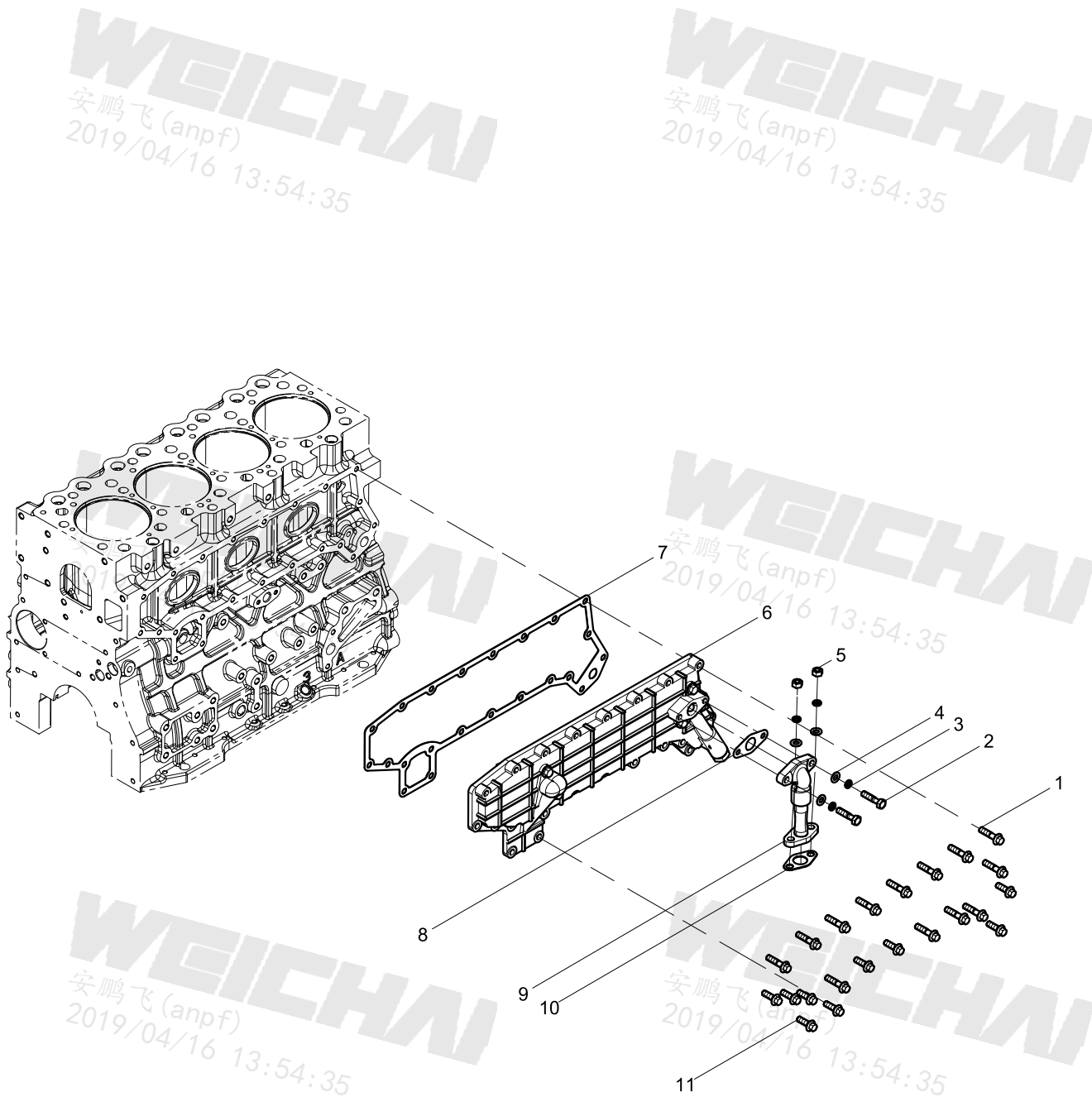


### 机油泵驱动齿轮(Oil Pump Driven Gear)



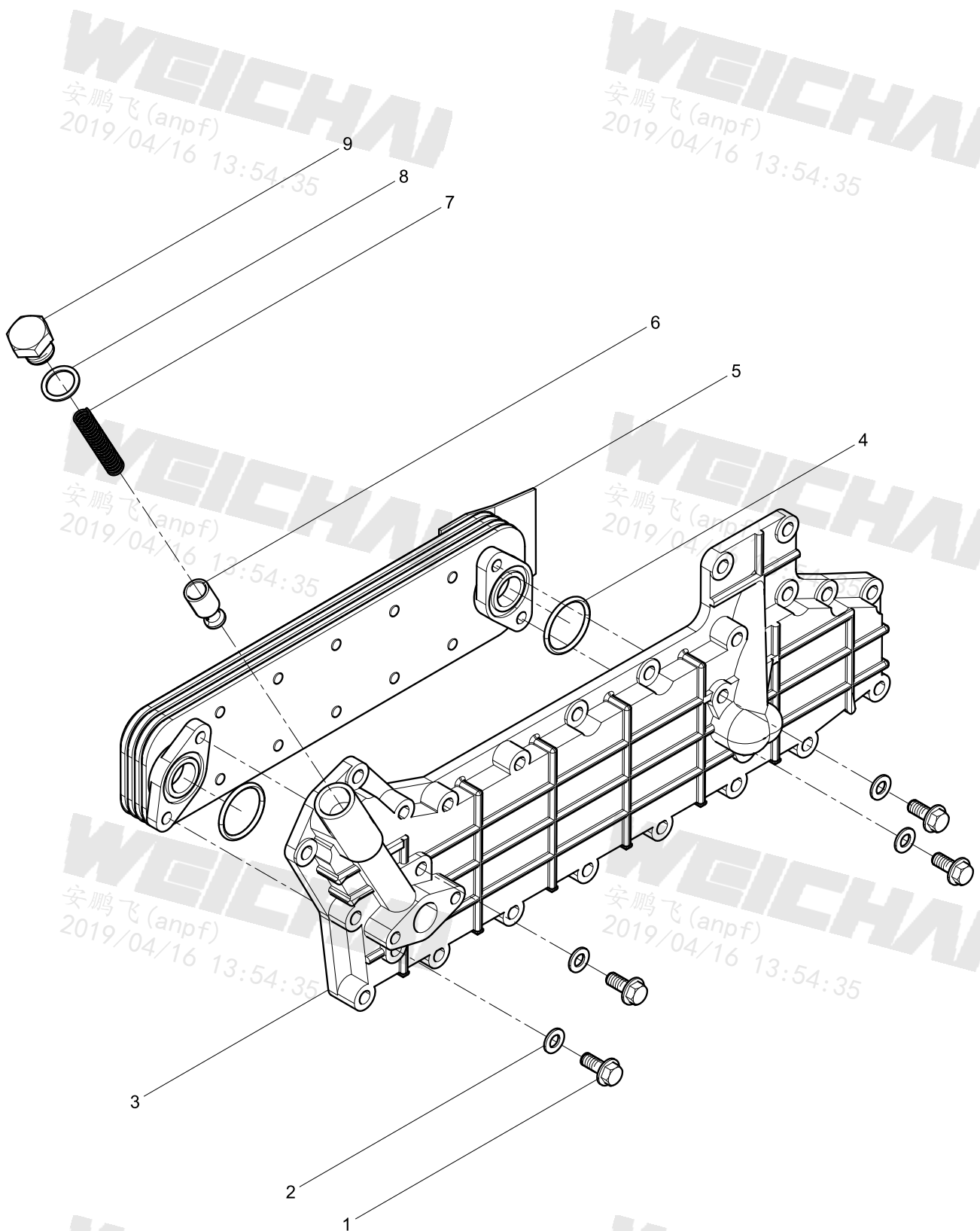


### 机油冷却器结合组(Oil Cooler Group)



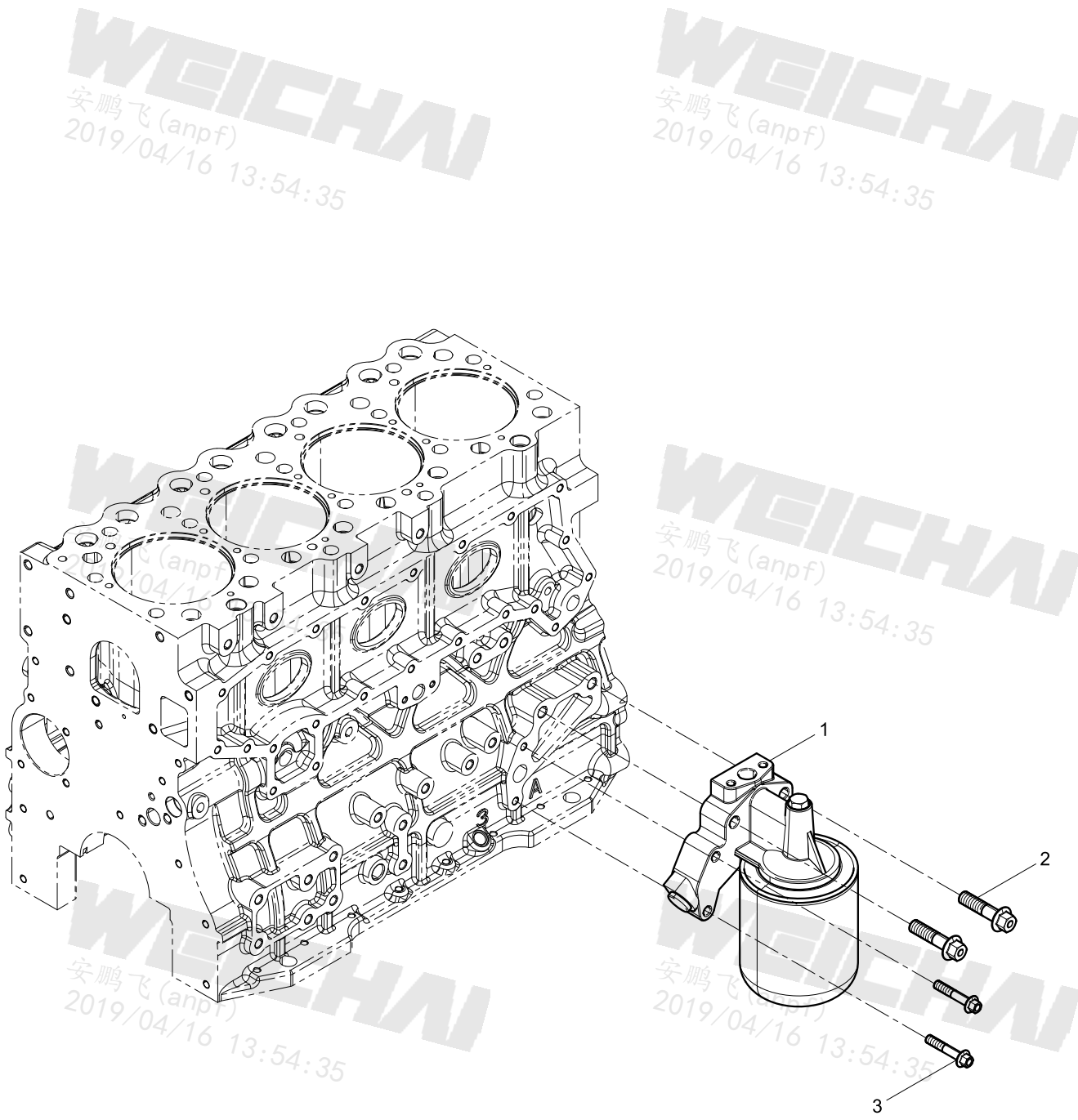


### 机油冷却器总成(Oil Cooler Assembly)





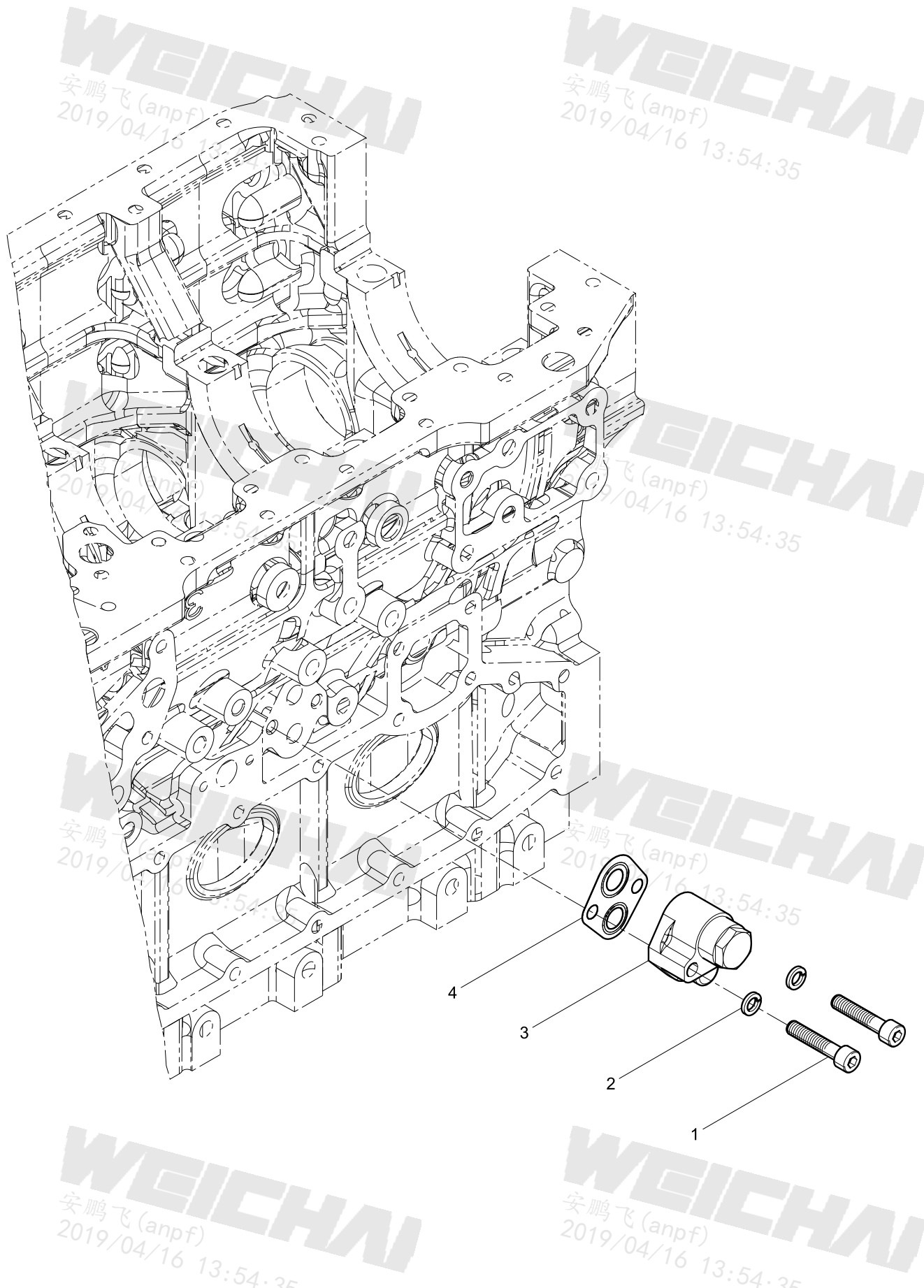
### 机油滤清器结合组(Oil Filter Group)





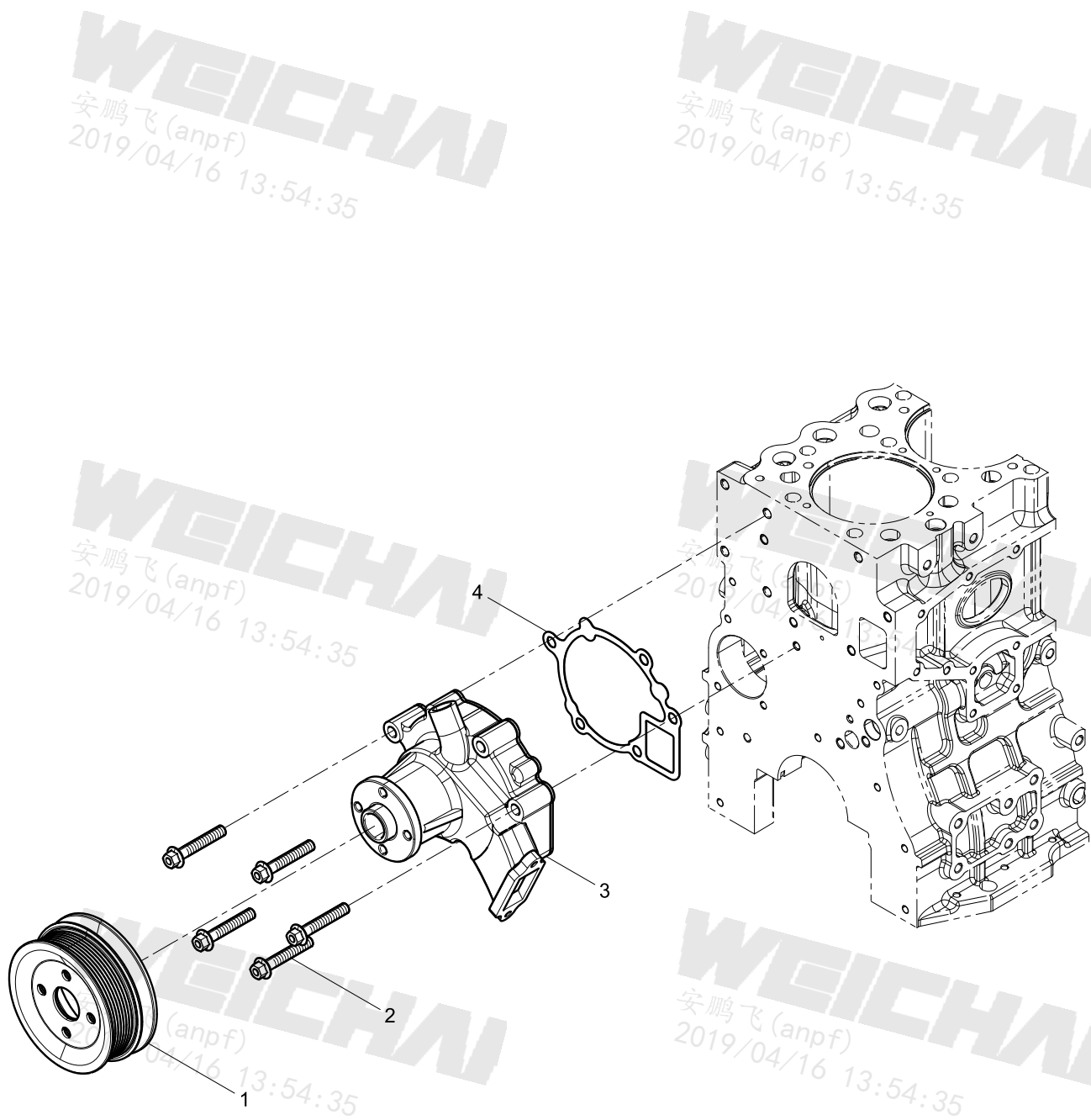


### 限压阀结合组(Pressure-limiting Valve Group)



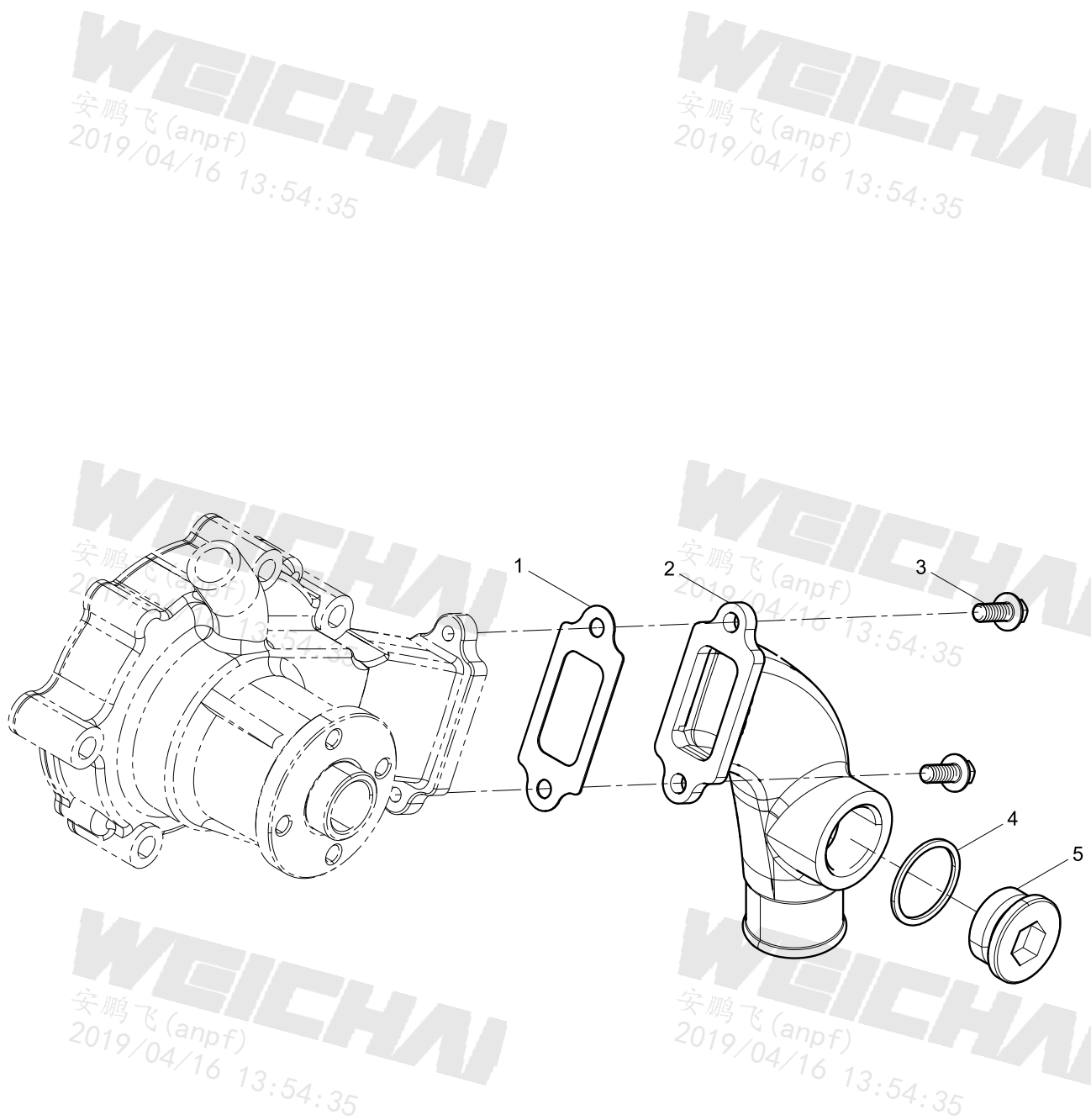


### 水泵结合组(Water Pump Group)



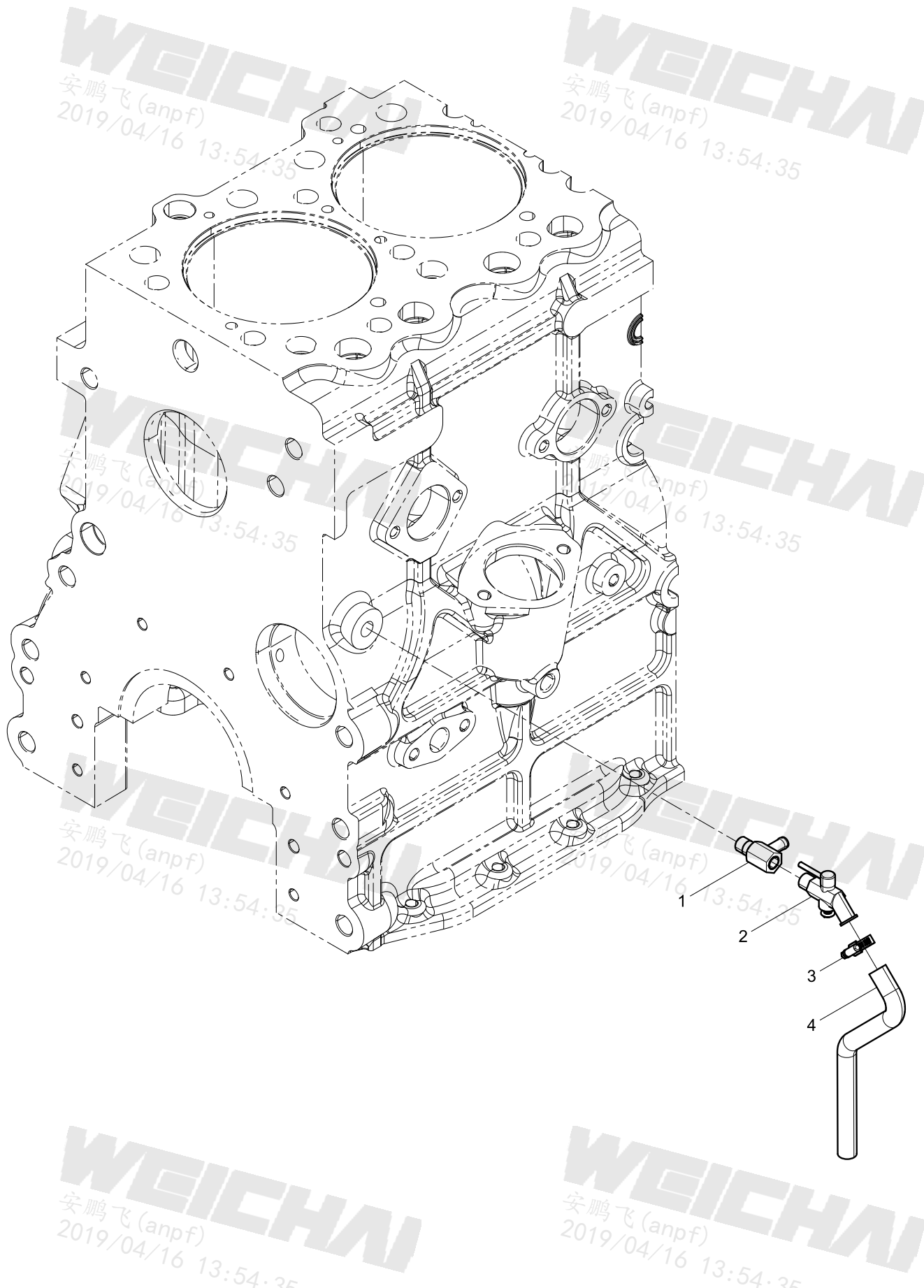


### 水泵进水管结合组(Water Pump Inlet Pipe Group)





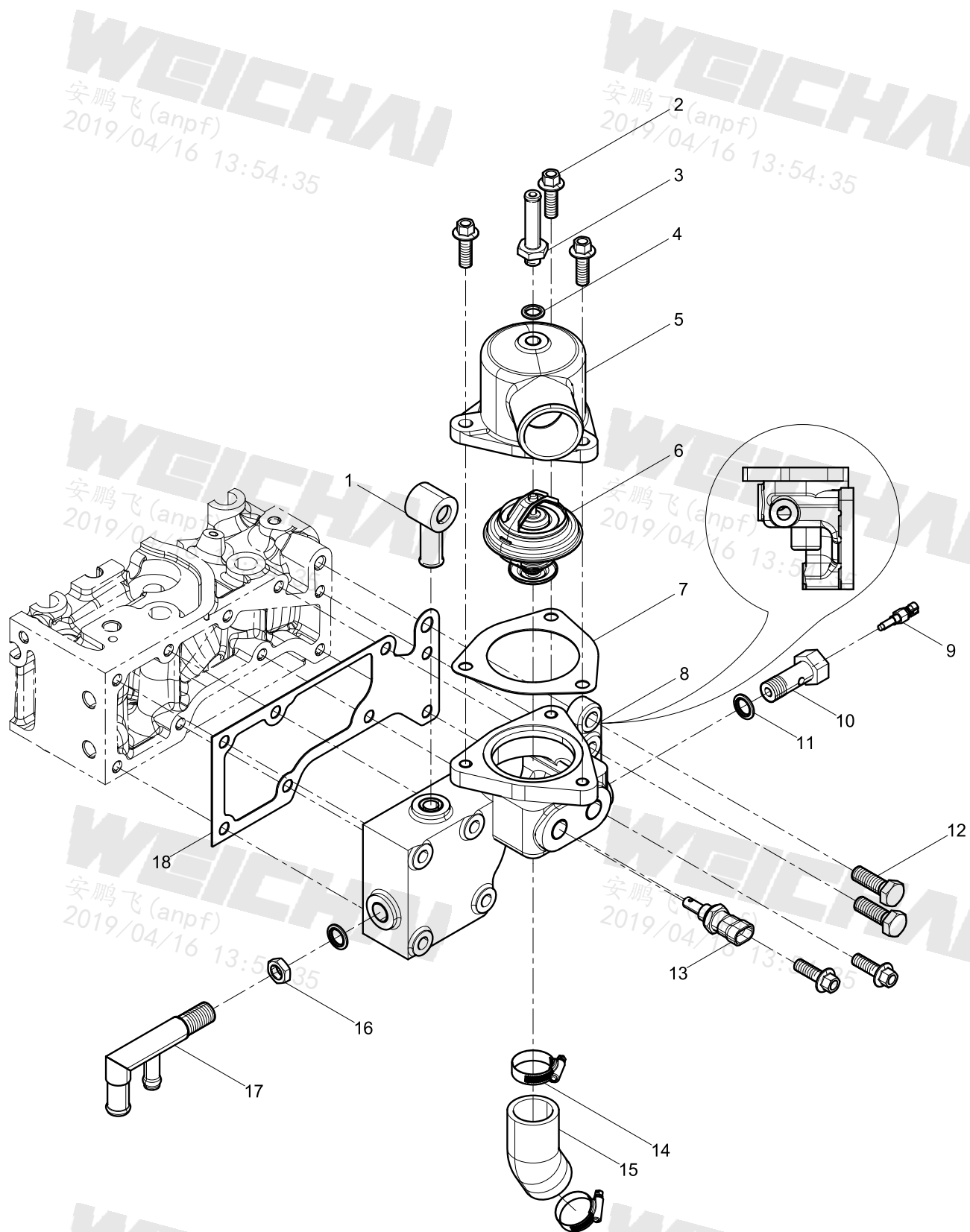
### 放水阀结合组(Water Draining Valve Group)





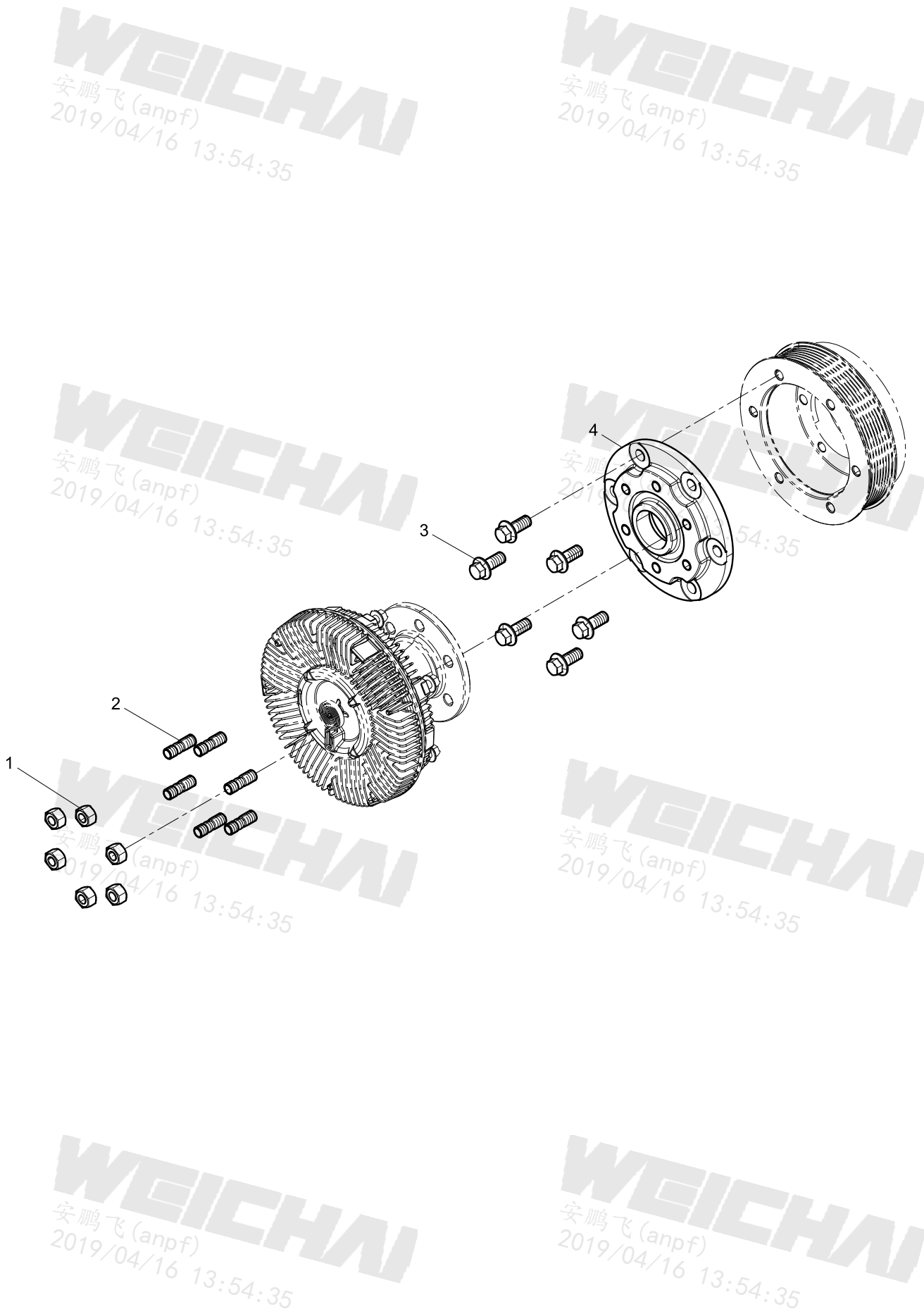


### 节温器结合组(Thermostat Group)



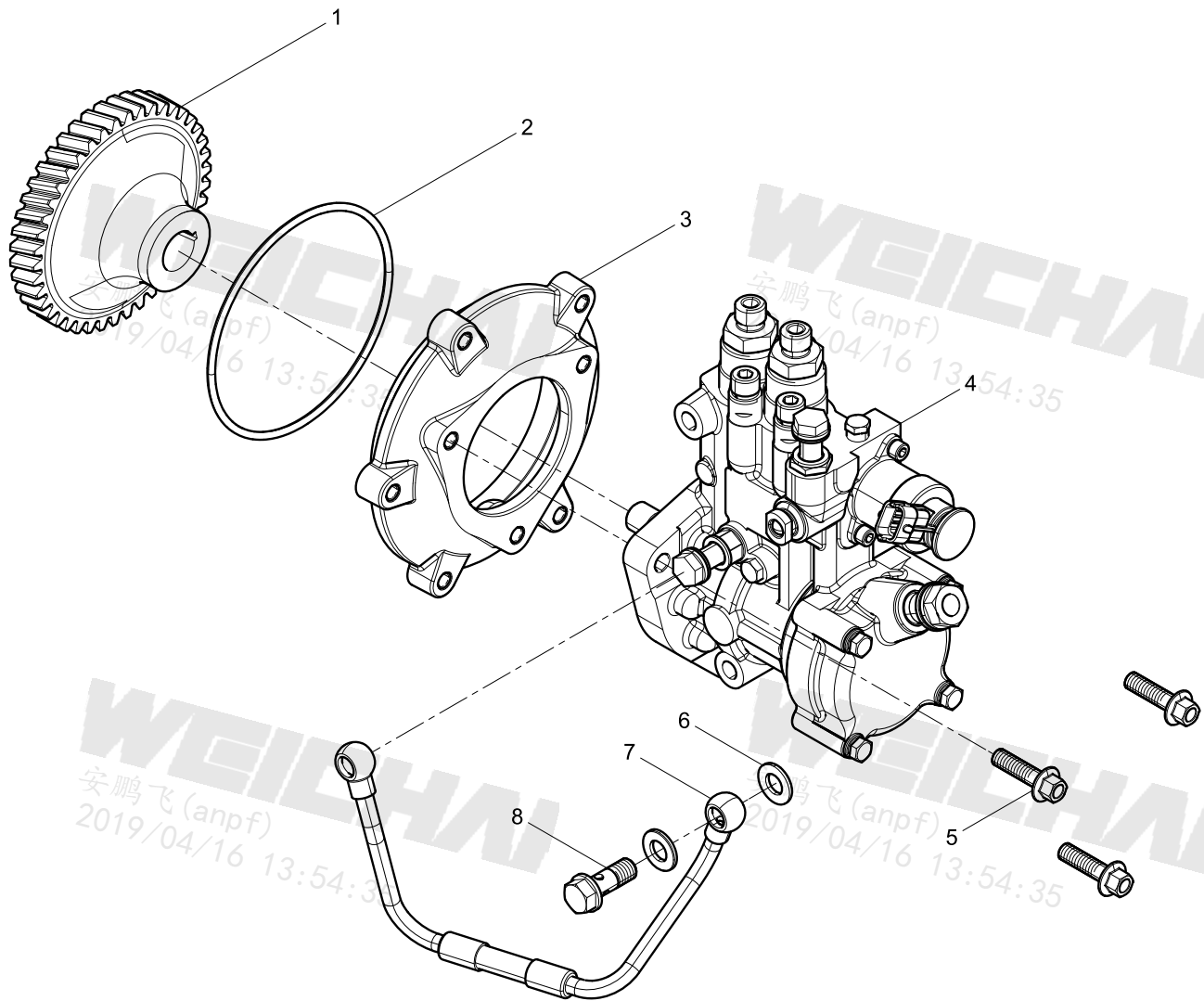


### 风扇及轮毂结合组(Fan and Hub Group)



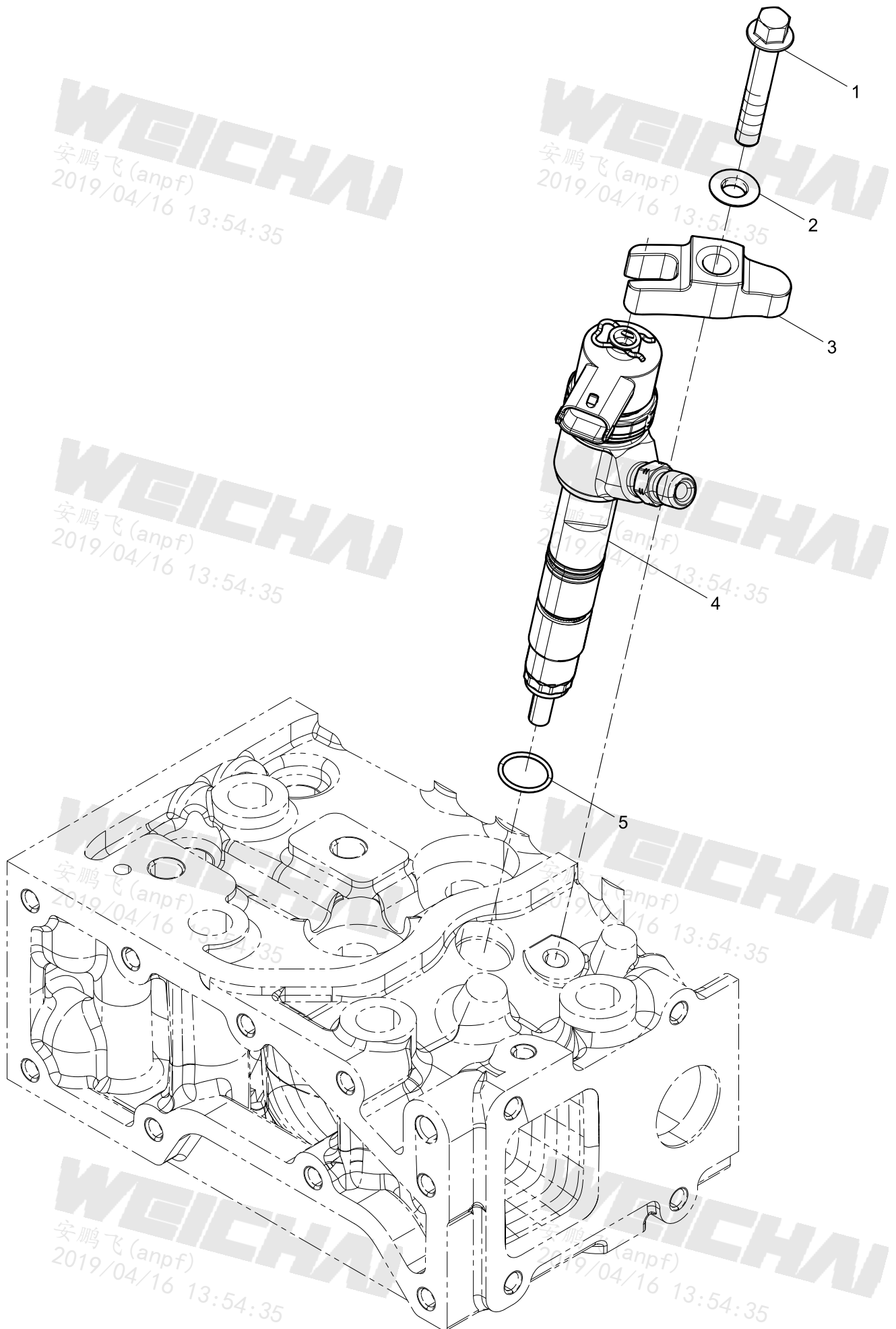


### 喷油泵结合组(Fuel Injection Pump Group)





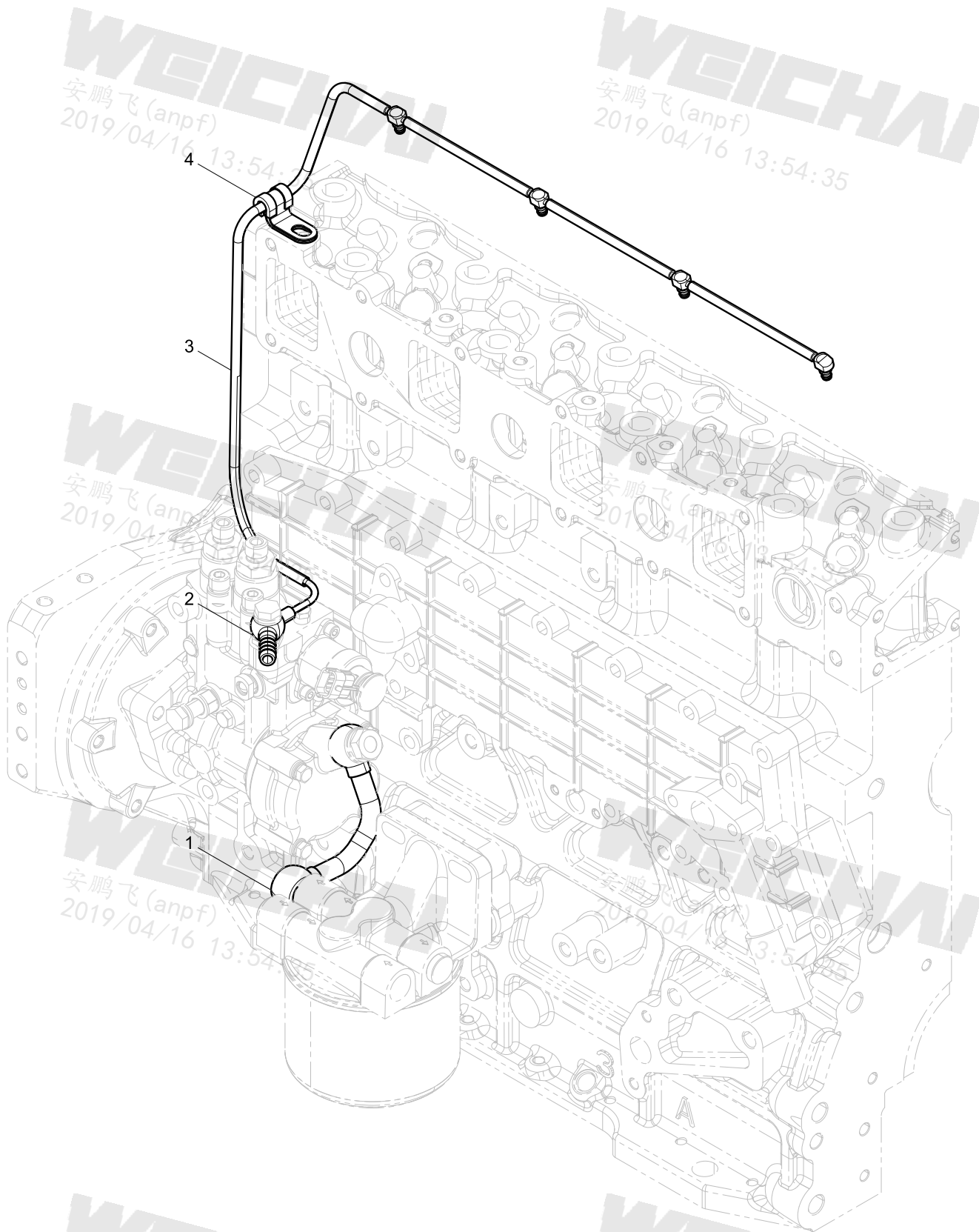
### 喷油器结合组(Fuel Injector Group)





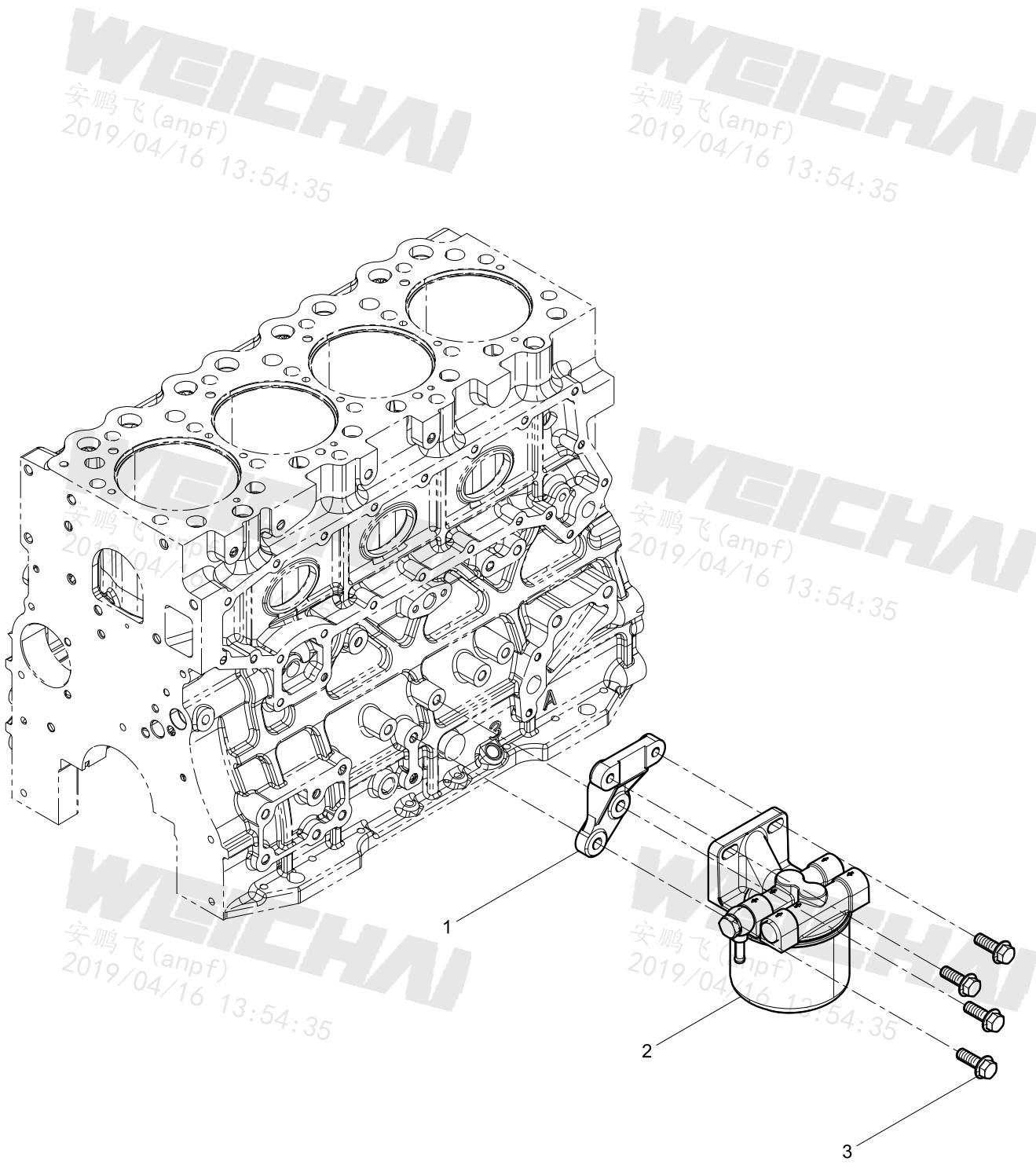


### 低压油管结合组(Low Pressure Fuel Pipe Group)



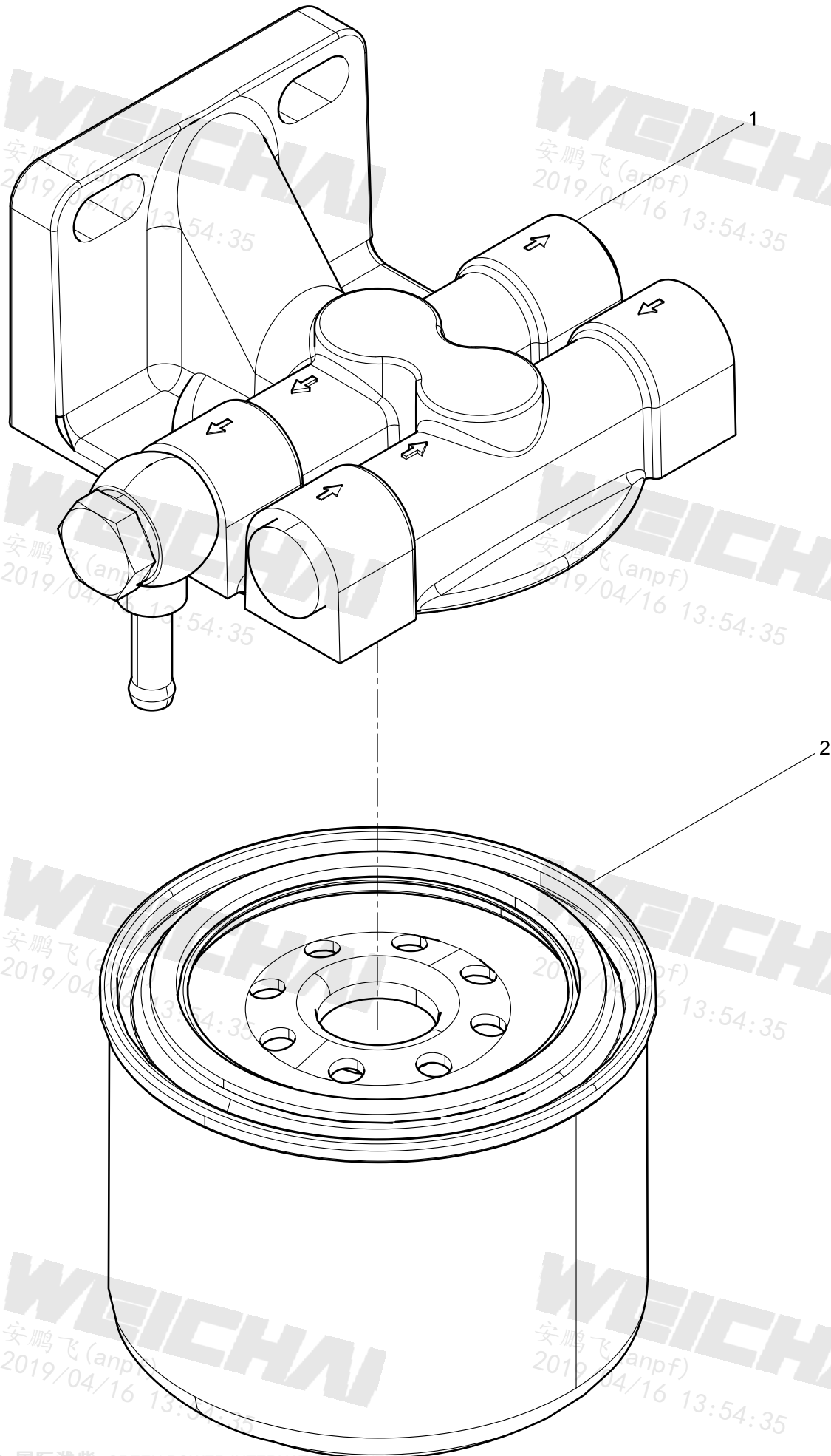


### 燃油滤清器结合组(Fuel Filter Group)



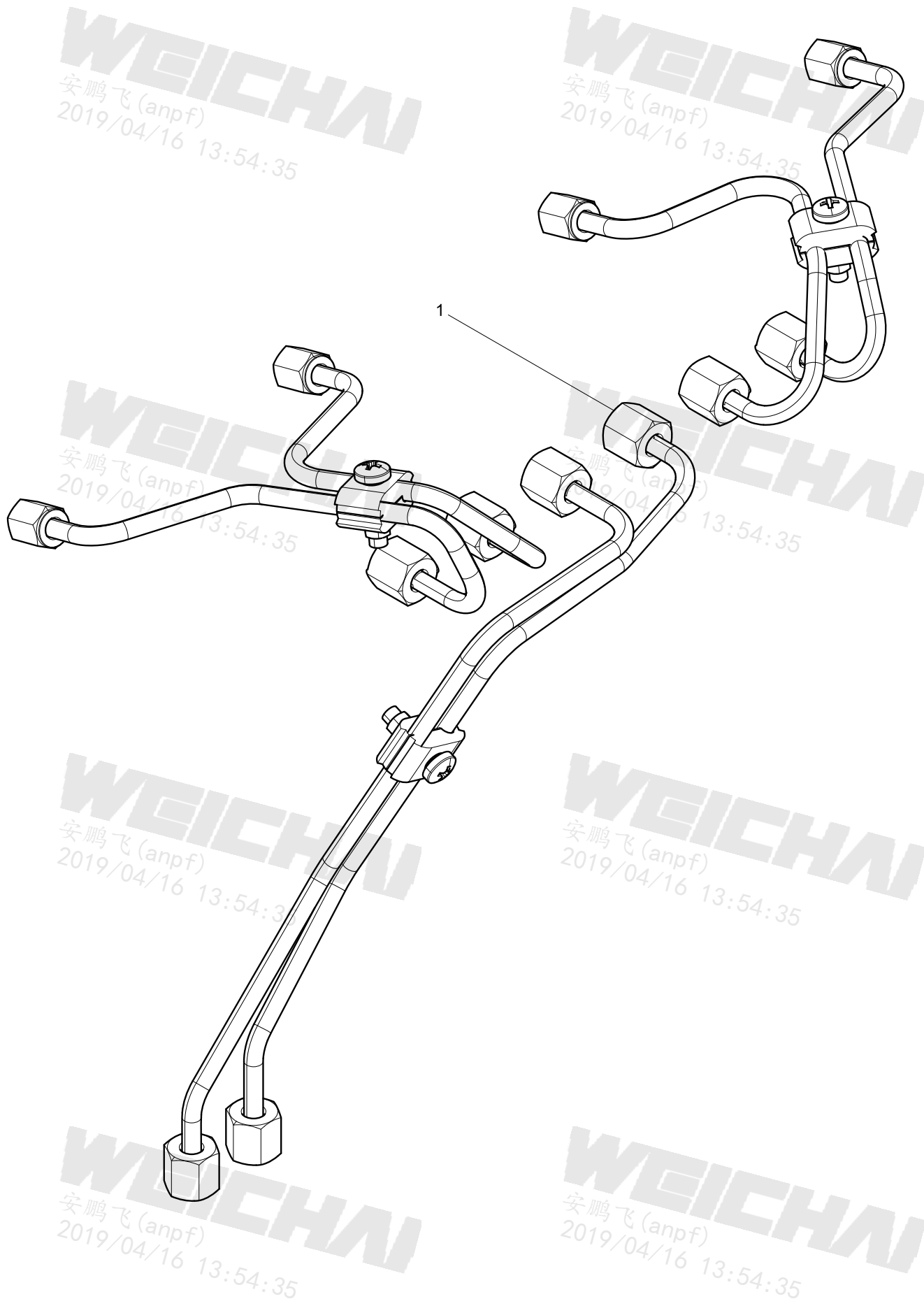


### 燃油精滤器(Fuel Fine Filter)





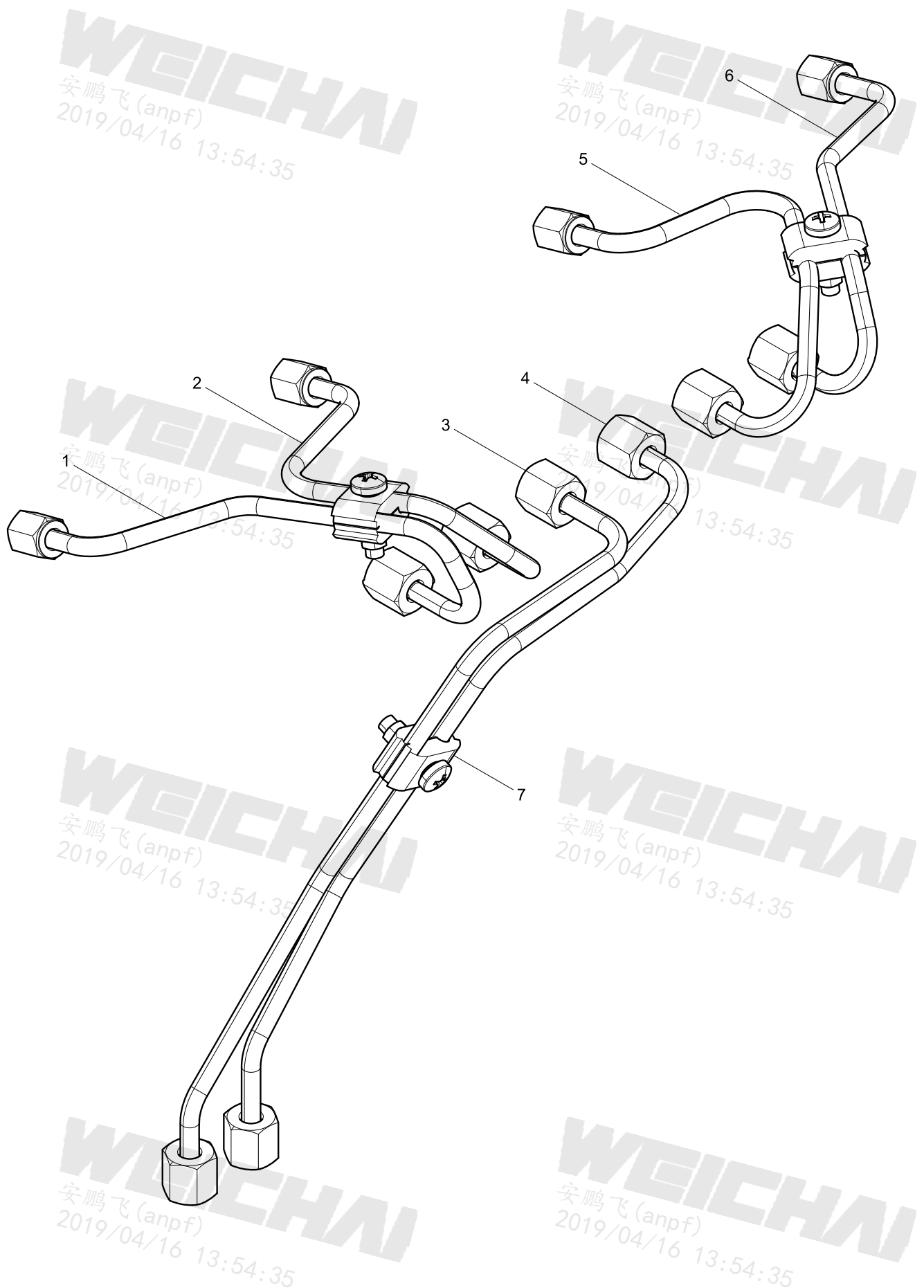
### 高压油管结合组(High Pressure Fuel Pipe Group)





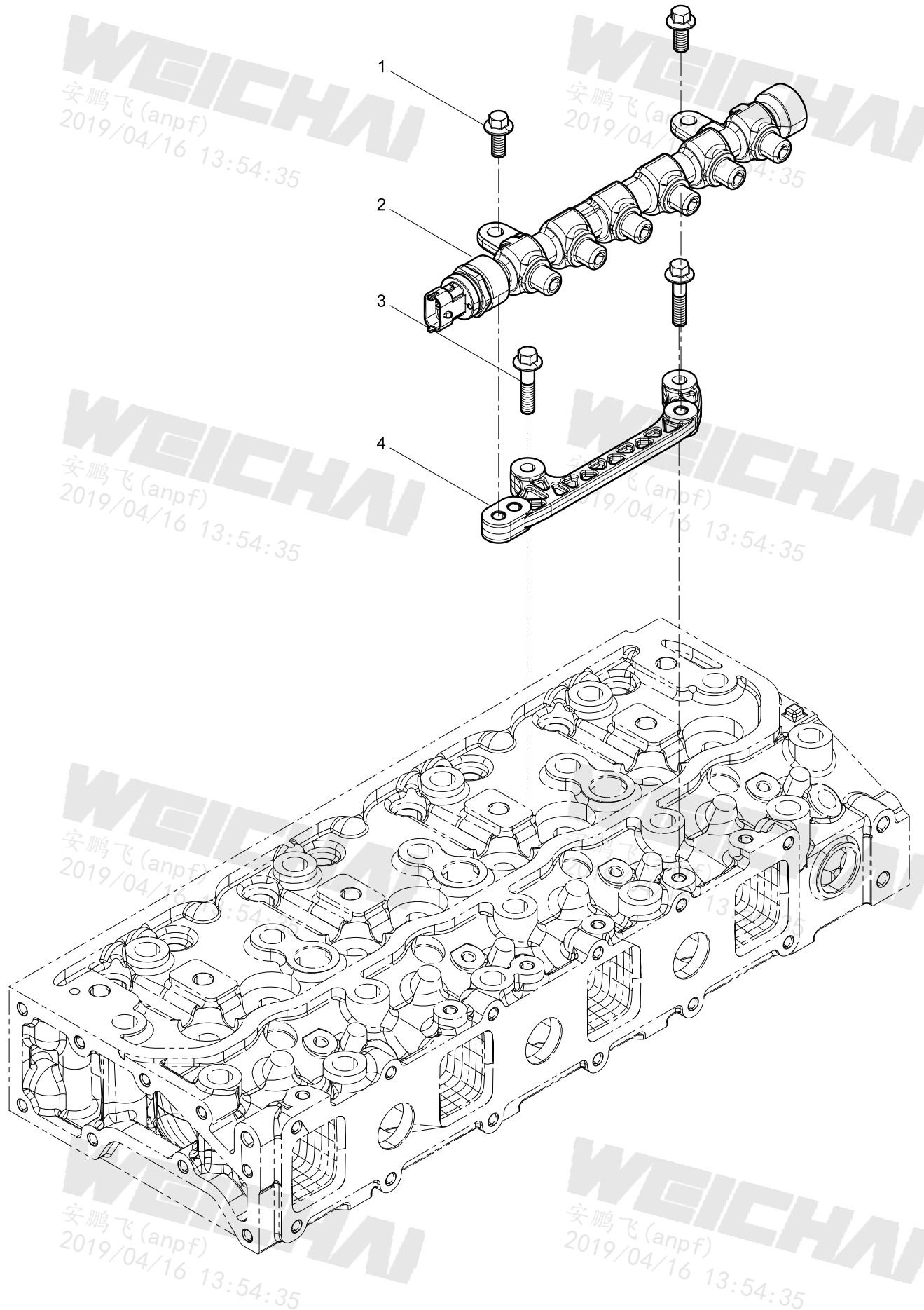


### 高压油管总成(High-pressure Fuel Pipe Assembly)



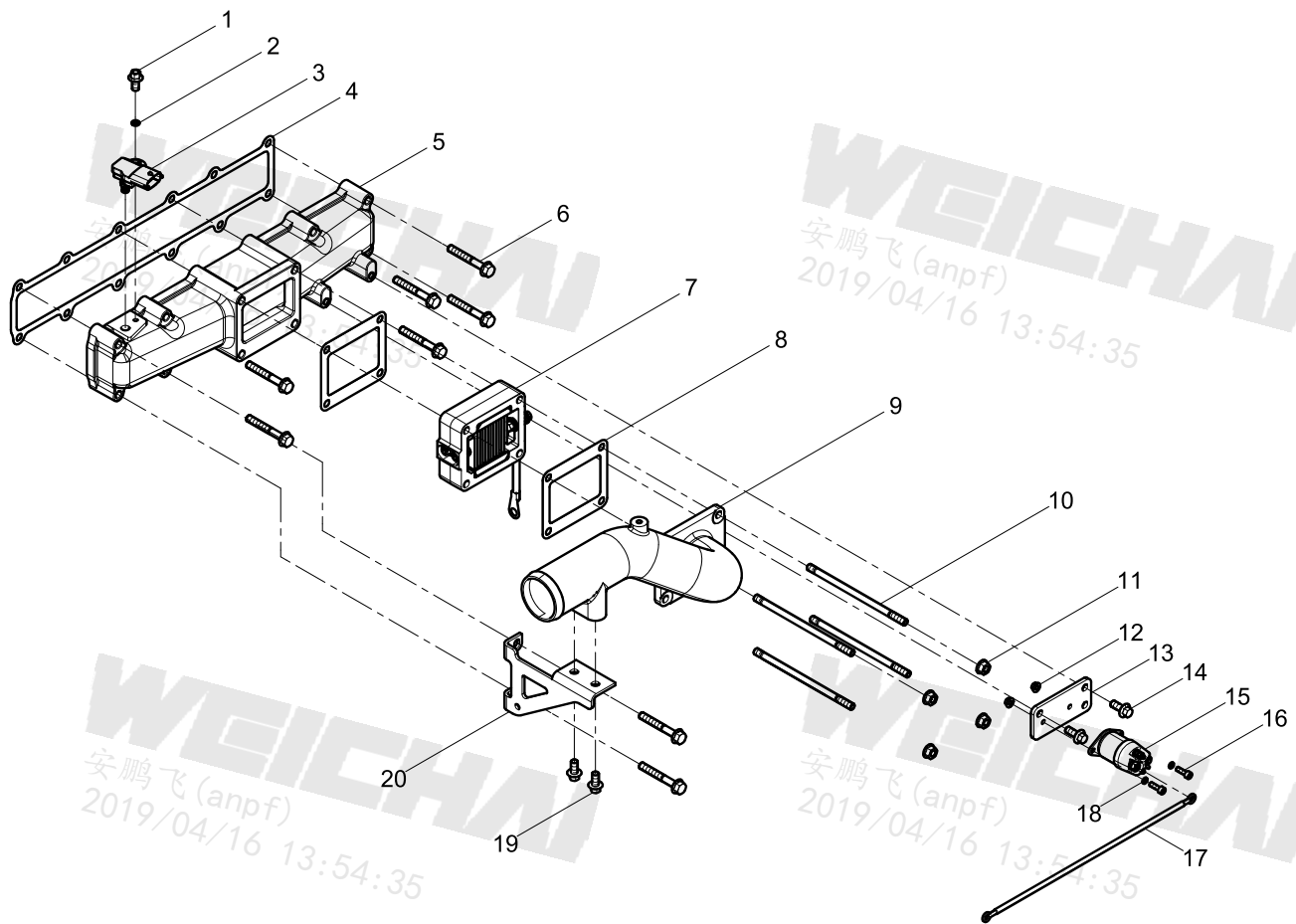


### 共轨管结合组(Common Rail Group)



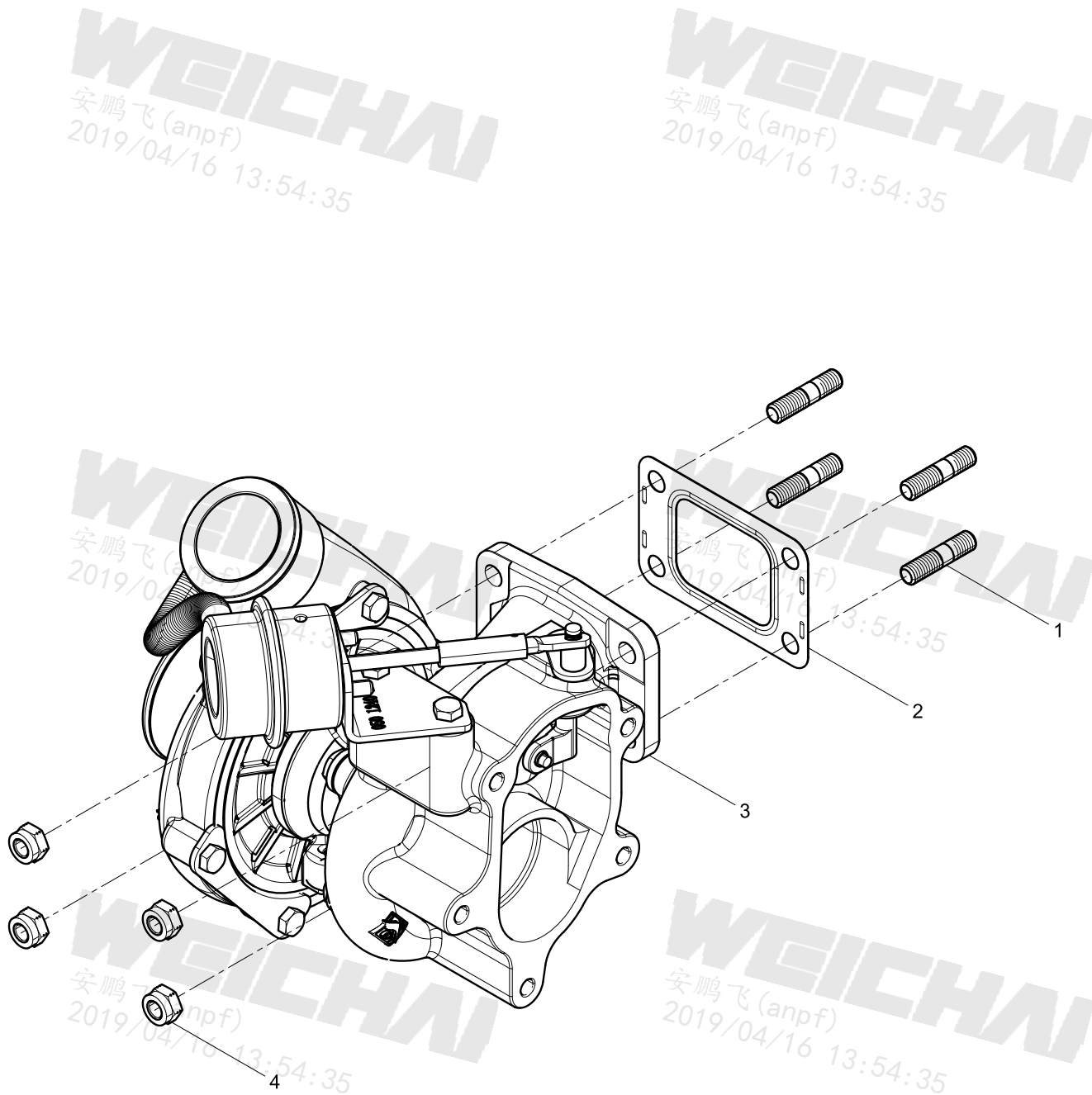


### 进气管结合组(Intake Manifold Group)





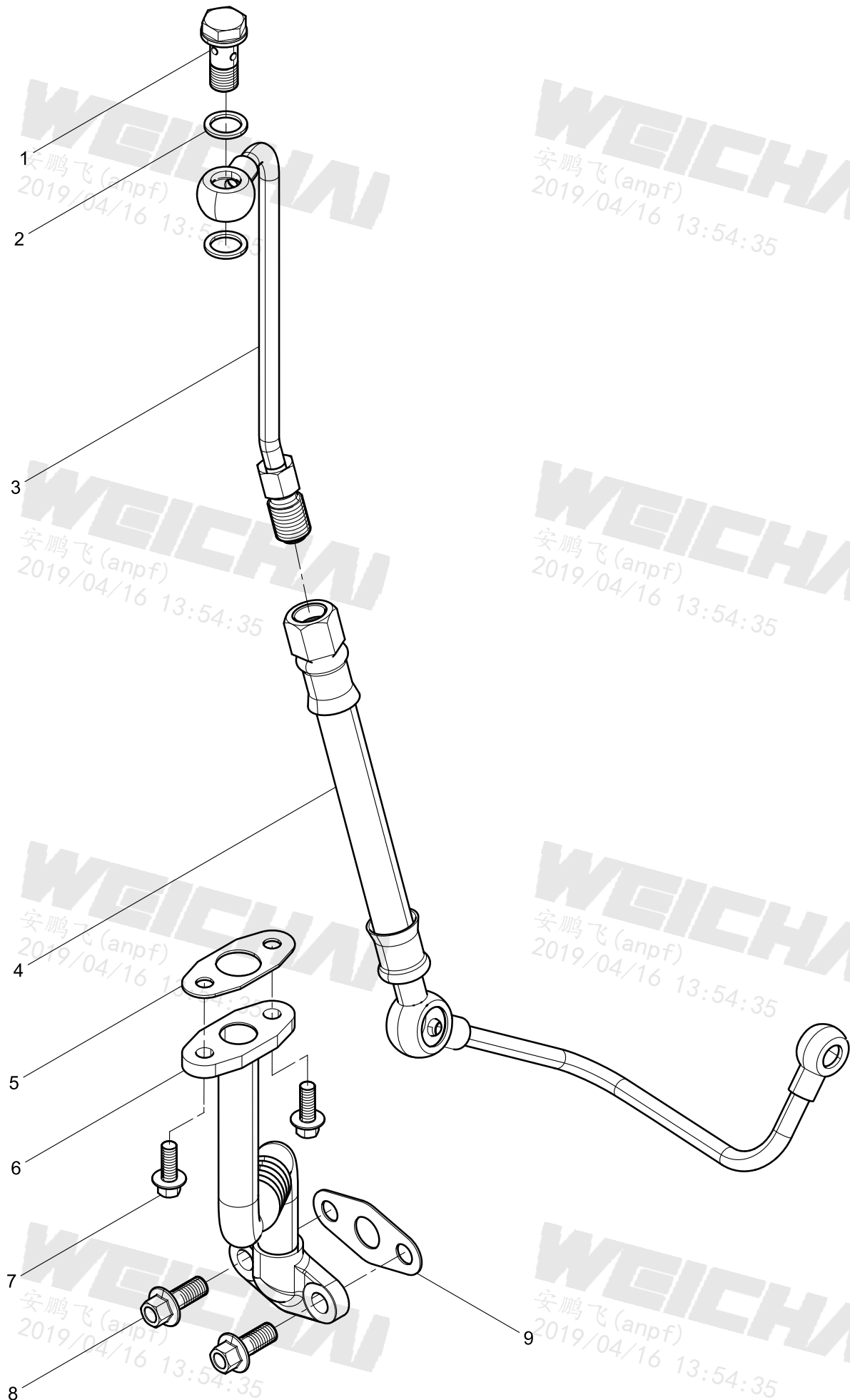
### 增压器结合组(Turbocharger Group)







### 增压器润滑油管结合组(Turbocharger Oil Pipe Group)





### 压气机管路结合组(Compressor Pipe Group)

WEICHAI  
安鹏飞 (anpf)  
2019/04/16 13:54:35

WEICHAI  
安鹏飞 (anpf)  
2019/04/16 13:54:35

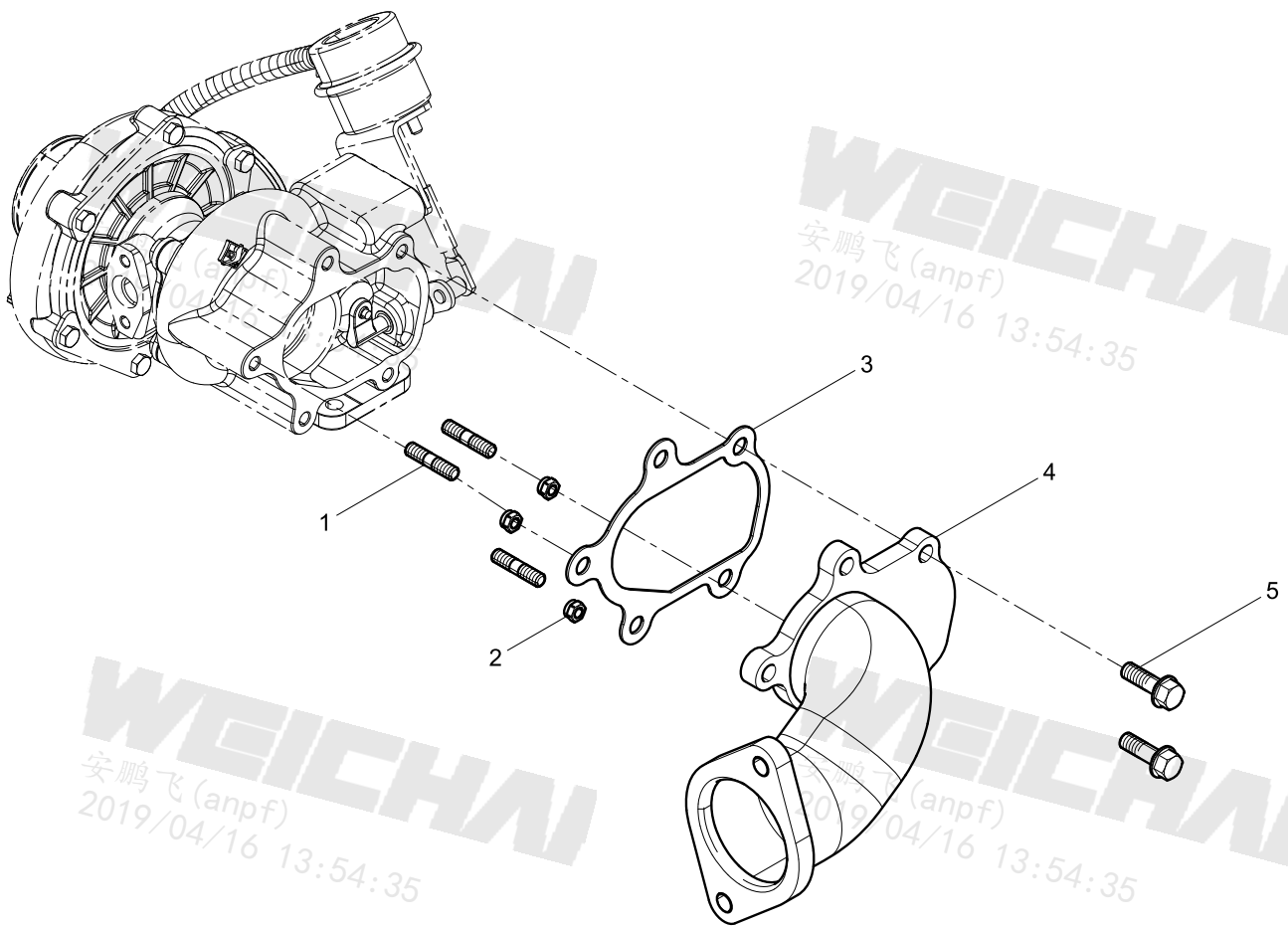
WEICHAI  
安鹏飞 (anpf)  
2019/04/16 13:54:35

WEICHAI  
安鹏飞 (anpf)  
2019/04/16 13:54:35

WEICHAI  
安鹏飞 (anpf)  
2019/04/16 13:54:35

WEICHAI  
安鹏飞 (anpf)  
2019/04/16 13:54:35

WEICHAI  
安鹏飞 (anpf)  
2019/04/16 13:54:35





### 排气管结合组(Exhaust Manifold Group)

WEICHAI  
安鹏飞 (anpf)  
2019/04/16 13:54:35

WEICHAI  
安鹏飞 (anpf)  
2019/04/16 13:54:35

WEICHAI  
安鹏飞 (anpf)  
2019/04/16 13:54:35

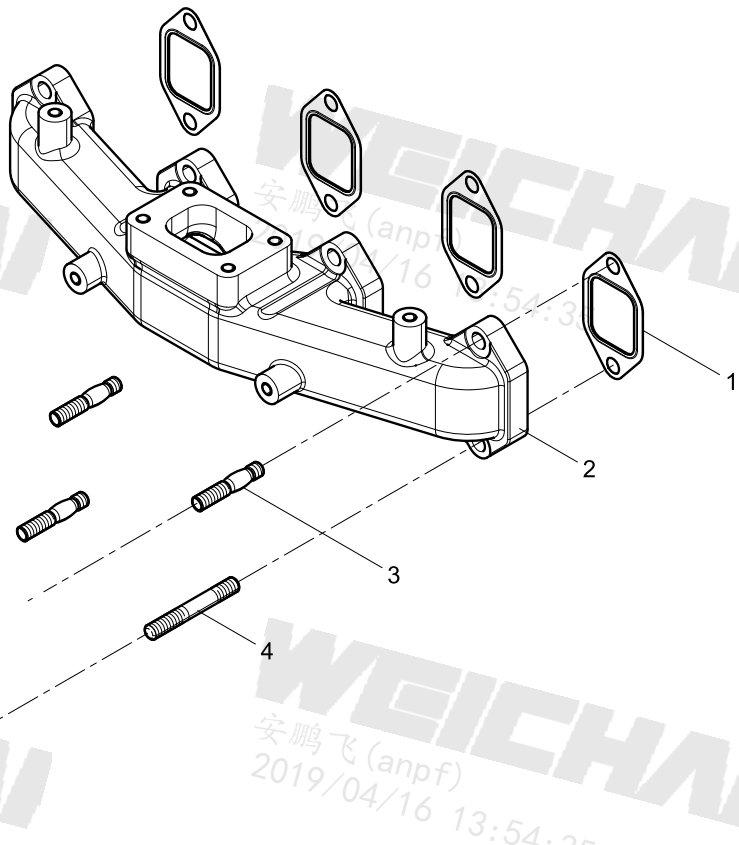
WEICHAI  
安鹏飞 (anpf)  
2019/04/16 13:54:35

WEICHAI  
安鹏飞 (anpf)  
2019/04/16 13:54:35

WEICHAI  
安鹏飞 (anpf)  
2019/04/16 13:54:35

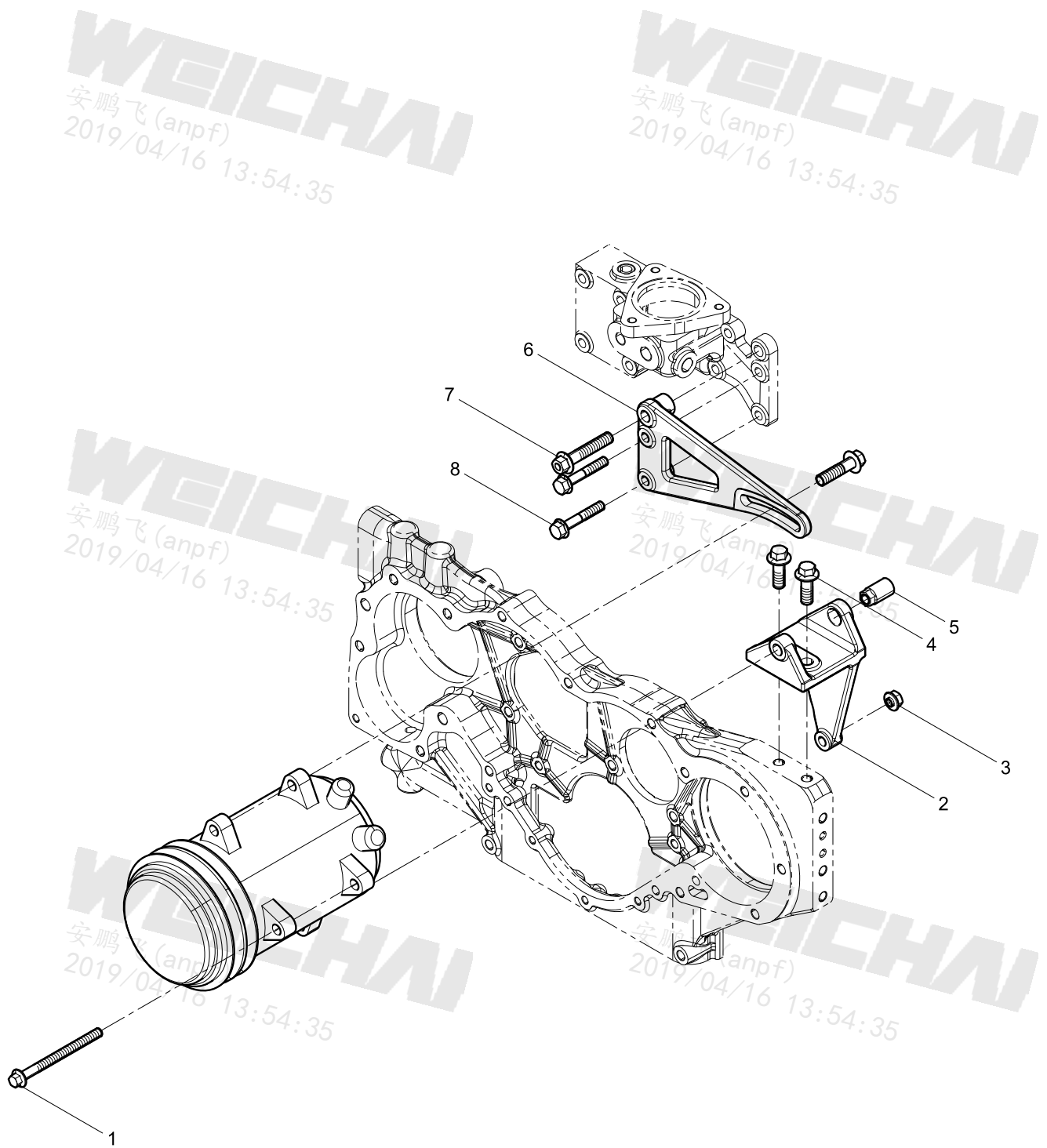
WEICHAI  
安鹏飞 (anpf)  
2019/04/16 13:54:35

WEICHAI  
安鹏飞 (anpf)  
2019/04/16 13:54:35





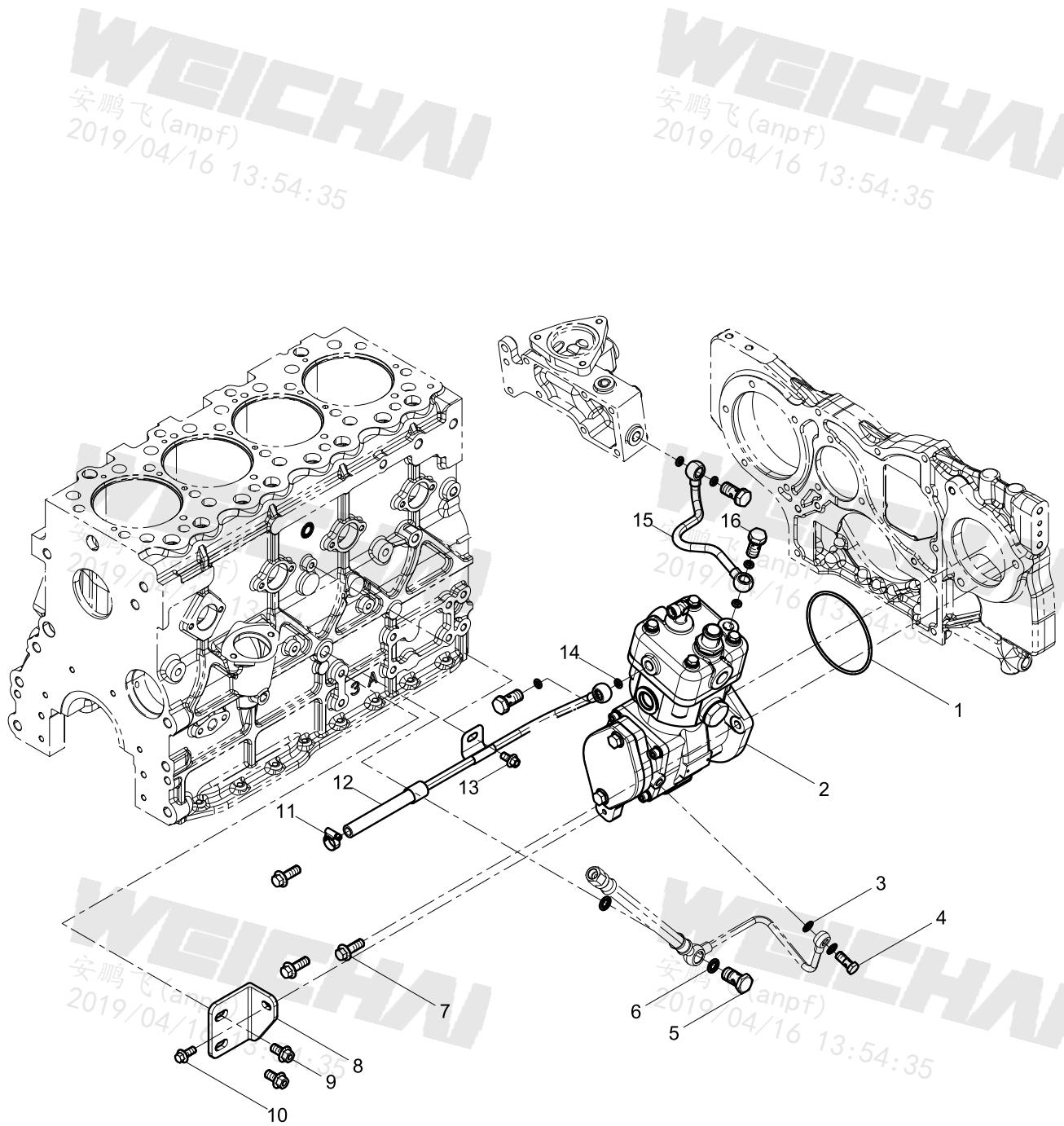
### 空调压缩机结合组(Air Conditioning Compressor Group)





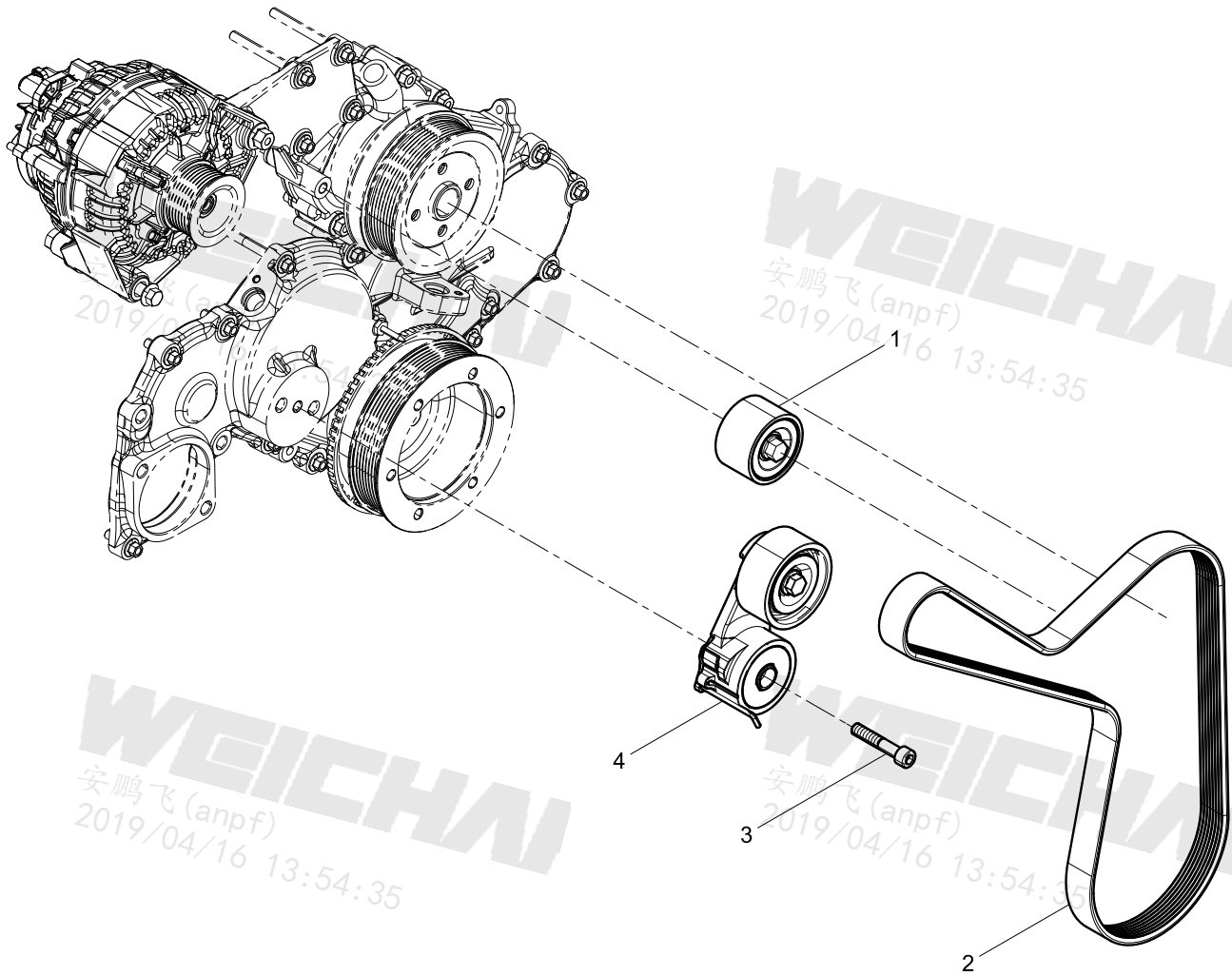


### 空压机结合组(Air Compressor Group)



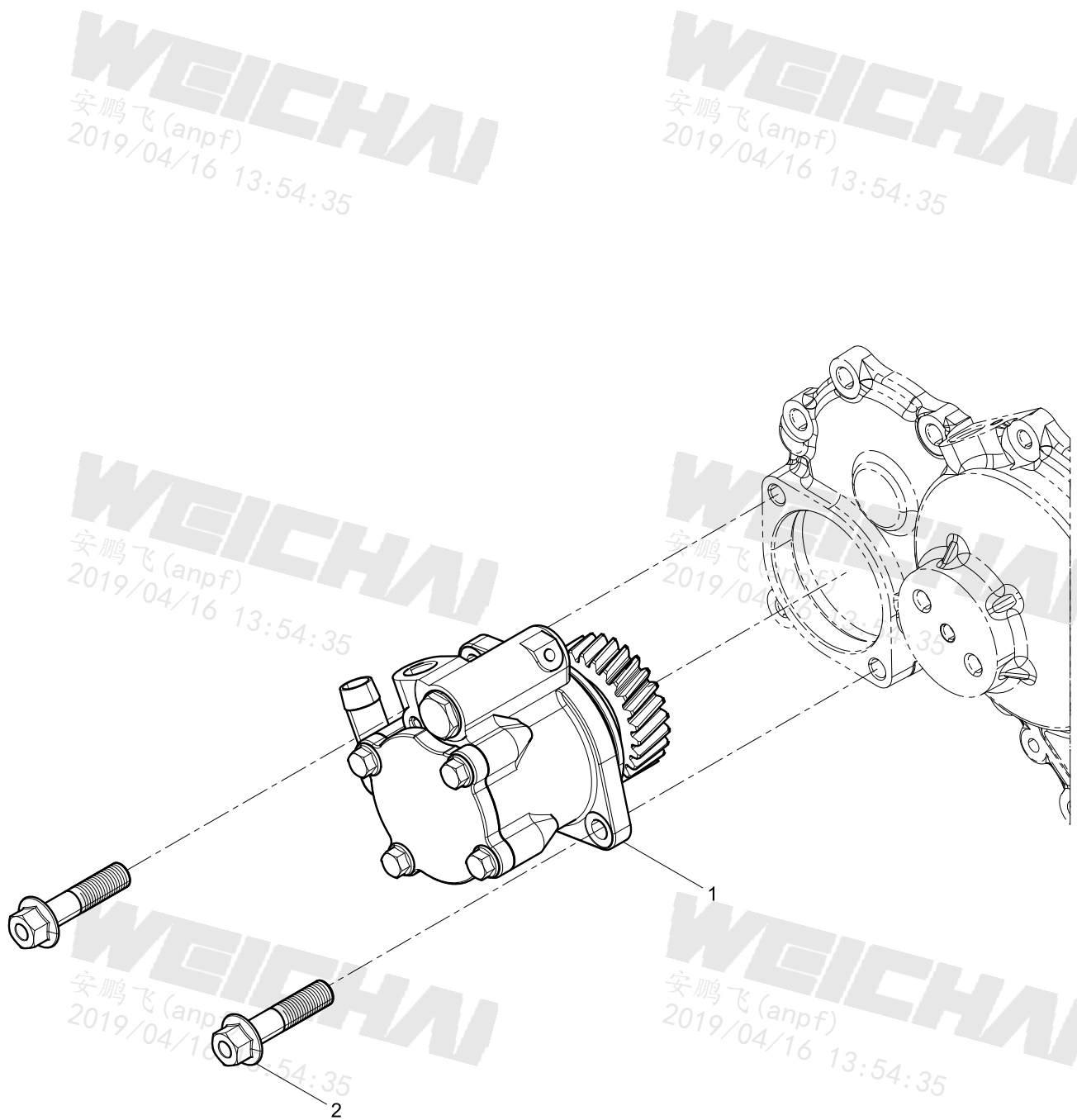


### 张紧轮及皮带结合组(Tensioner And Belt Group)



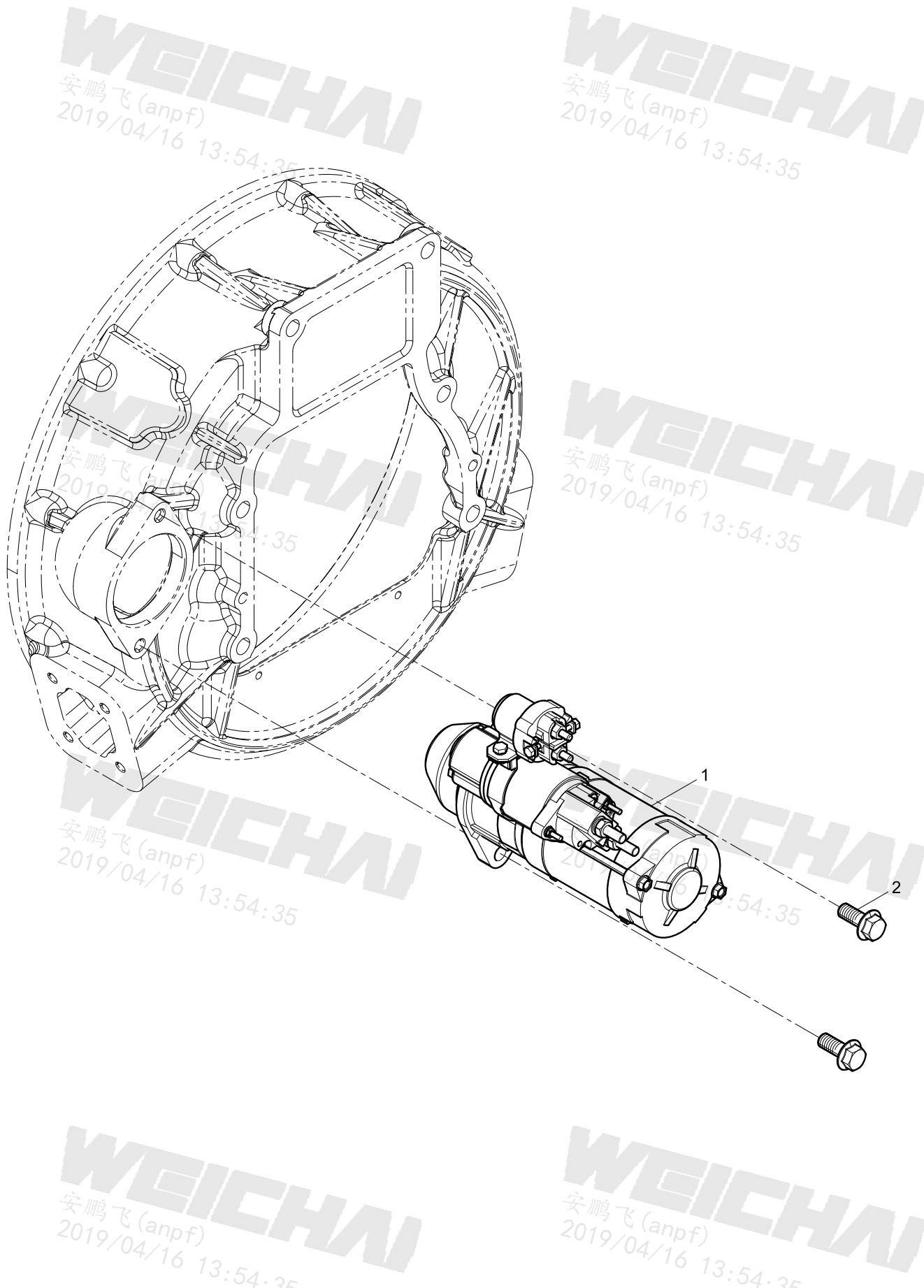


### 动力转向泵结合组(Steering Pump Group)





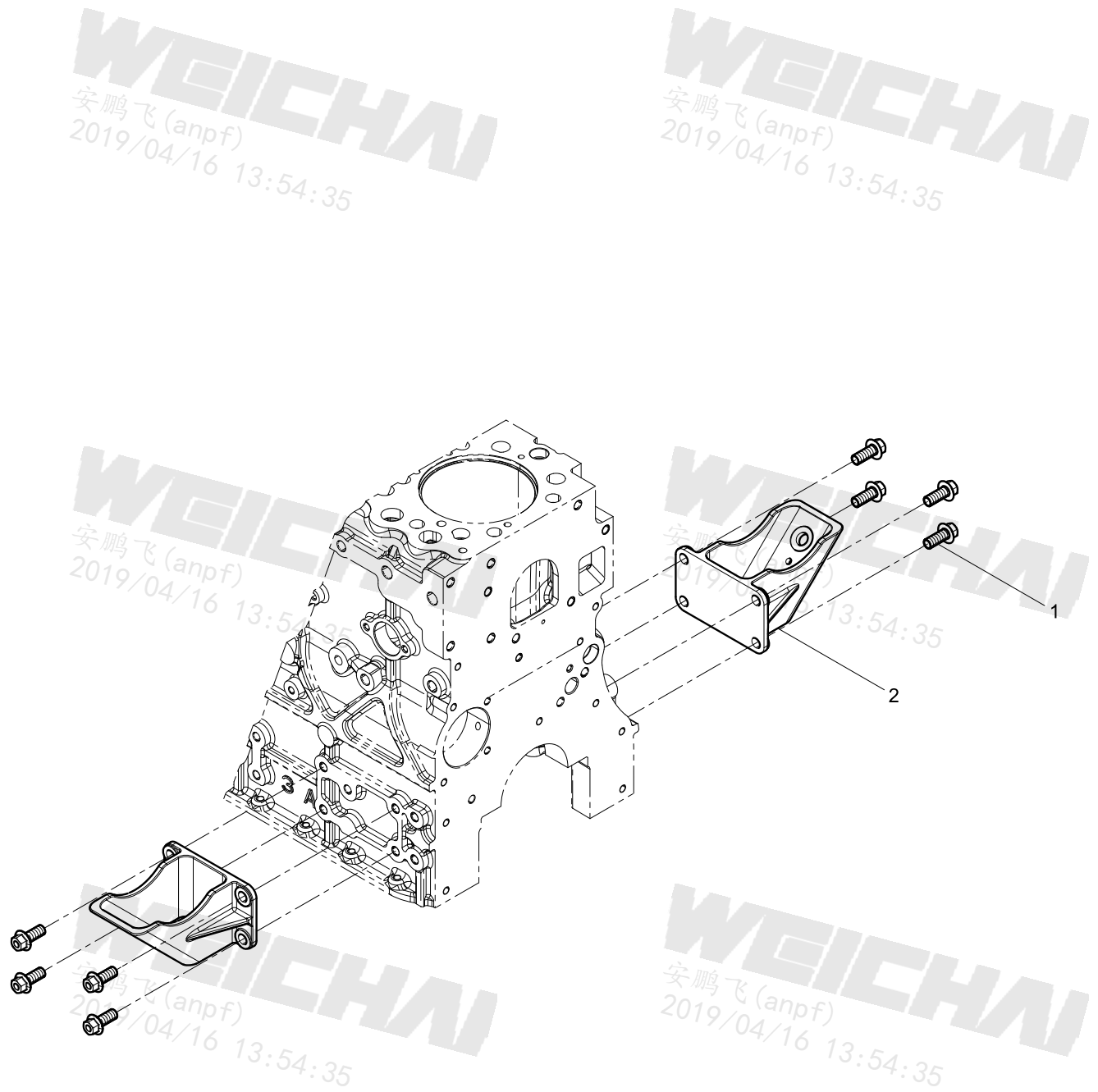
### 起动机结合组(Starter Motor Group)





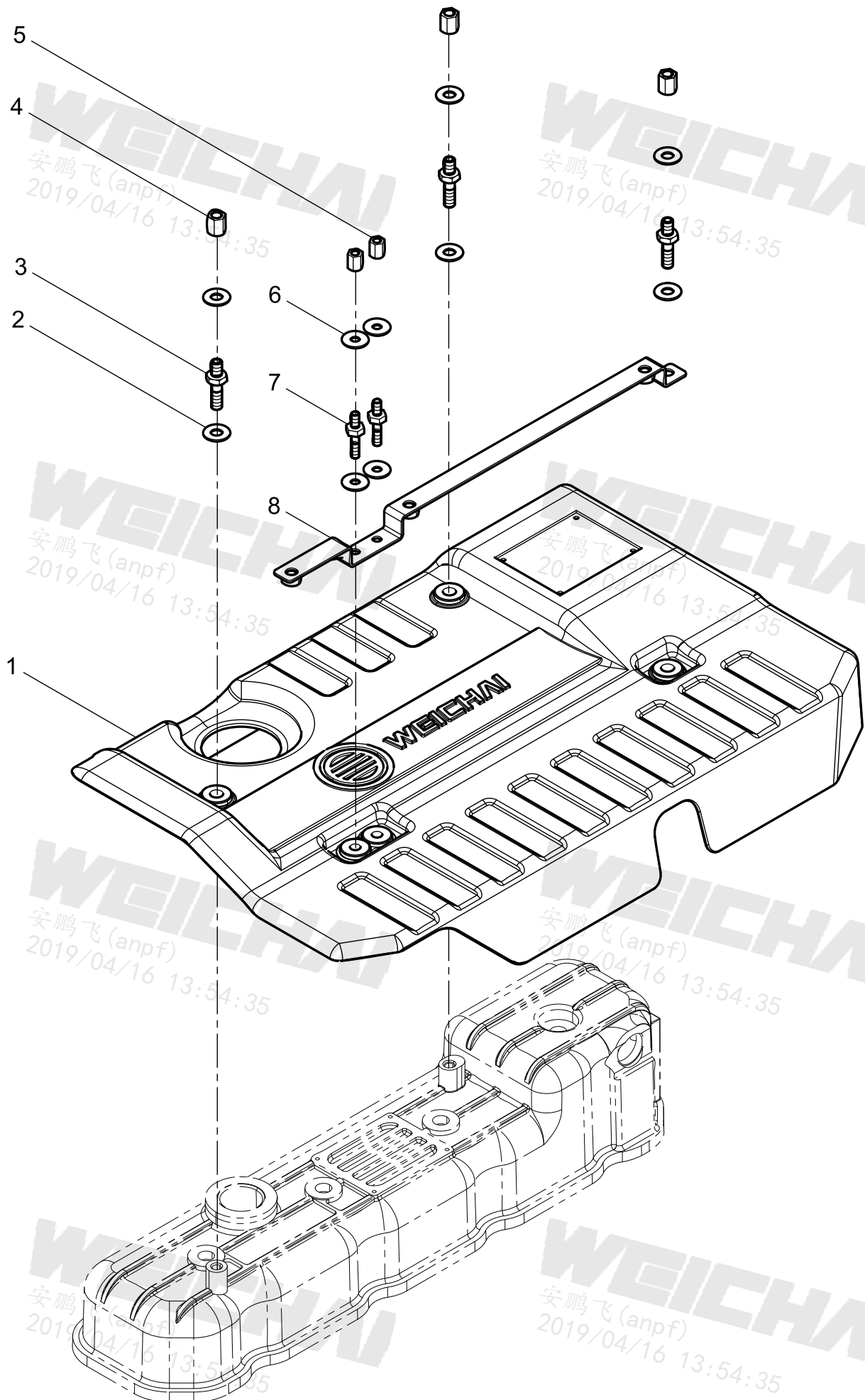


### 发动机支架结合组(Engine Bracket Group)



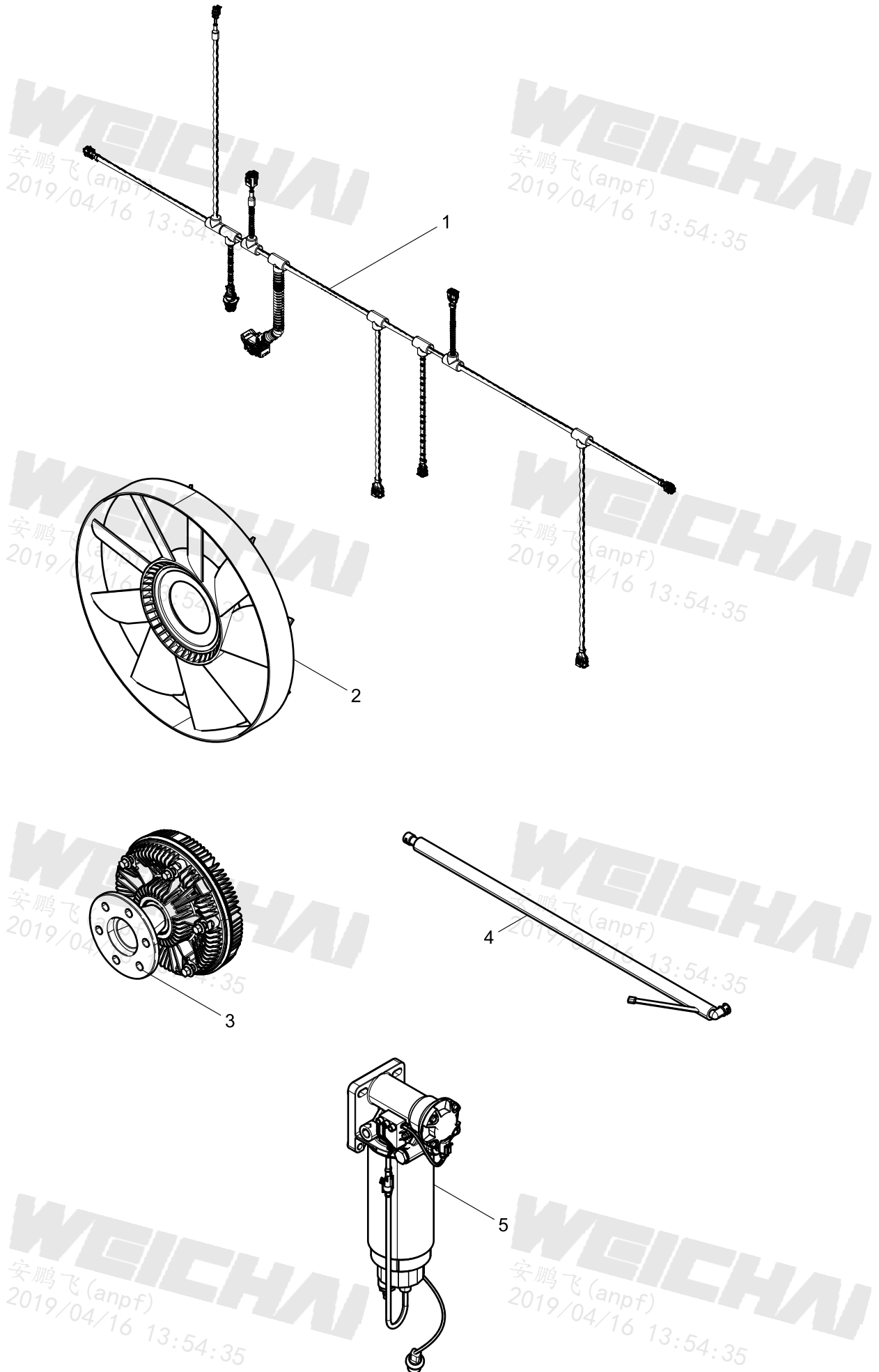


### 主机外围附件支撑结合组(Engine Peripheral Device Support Group)





包装箱底盘零件结合组(Packing Box Chassis Parts Group)





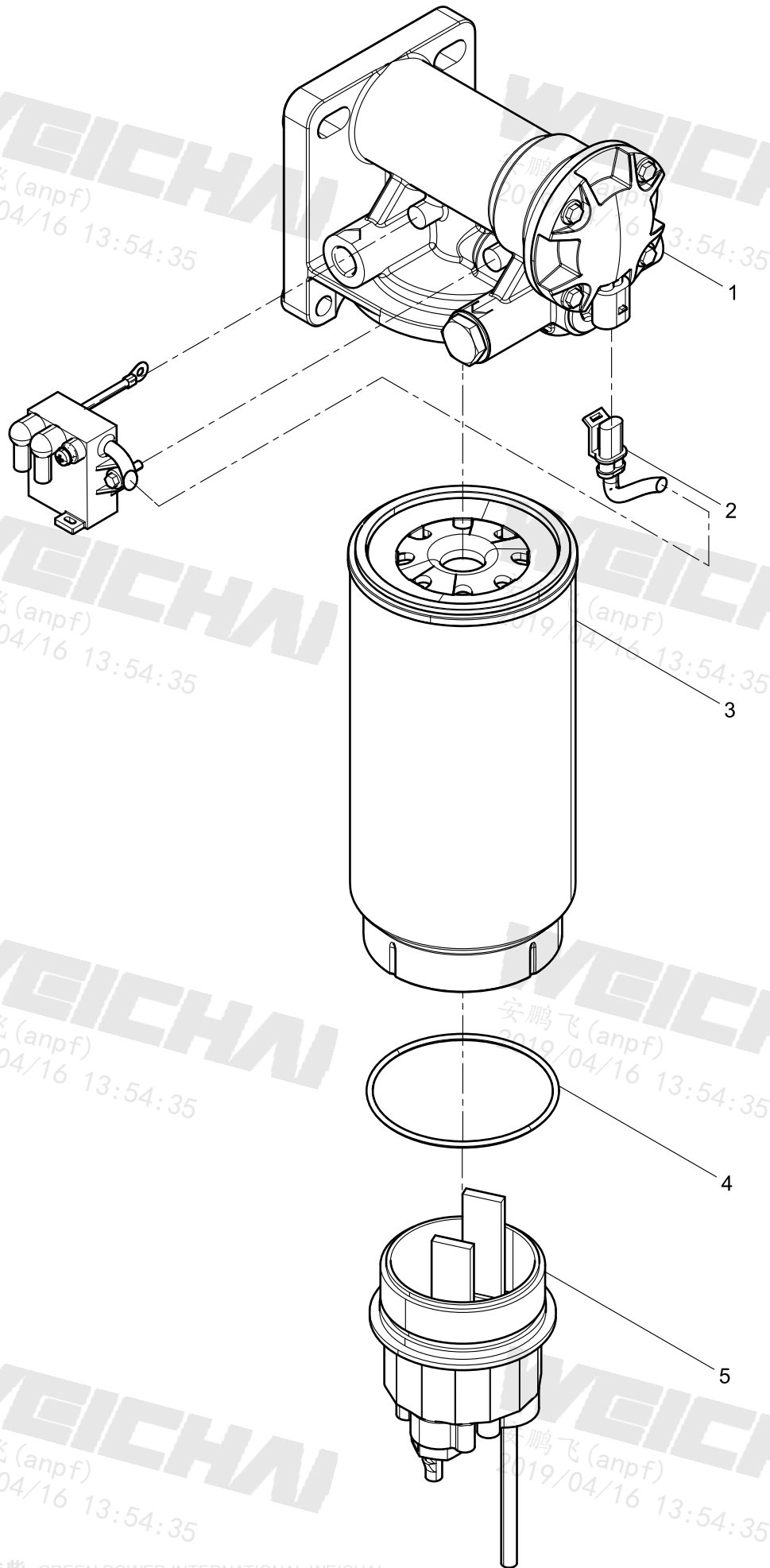
### 燃油水寒宝(Fuel System Protector)

安鹏飞 (anpf)  
2019/04/16 13:54:35

安鹏飞 (anpf)  
2019/04/16 13:54:35

安鹏飞 (anpf)  
2019/04/16 13:54:35

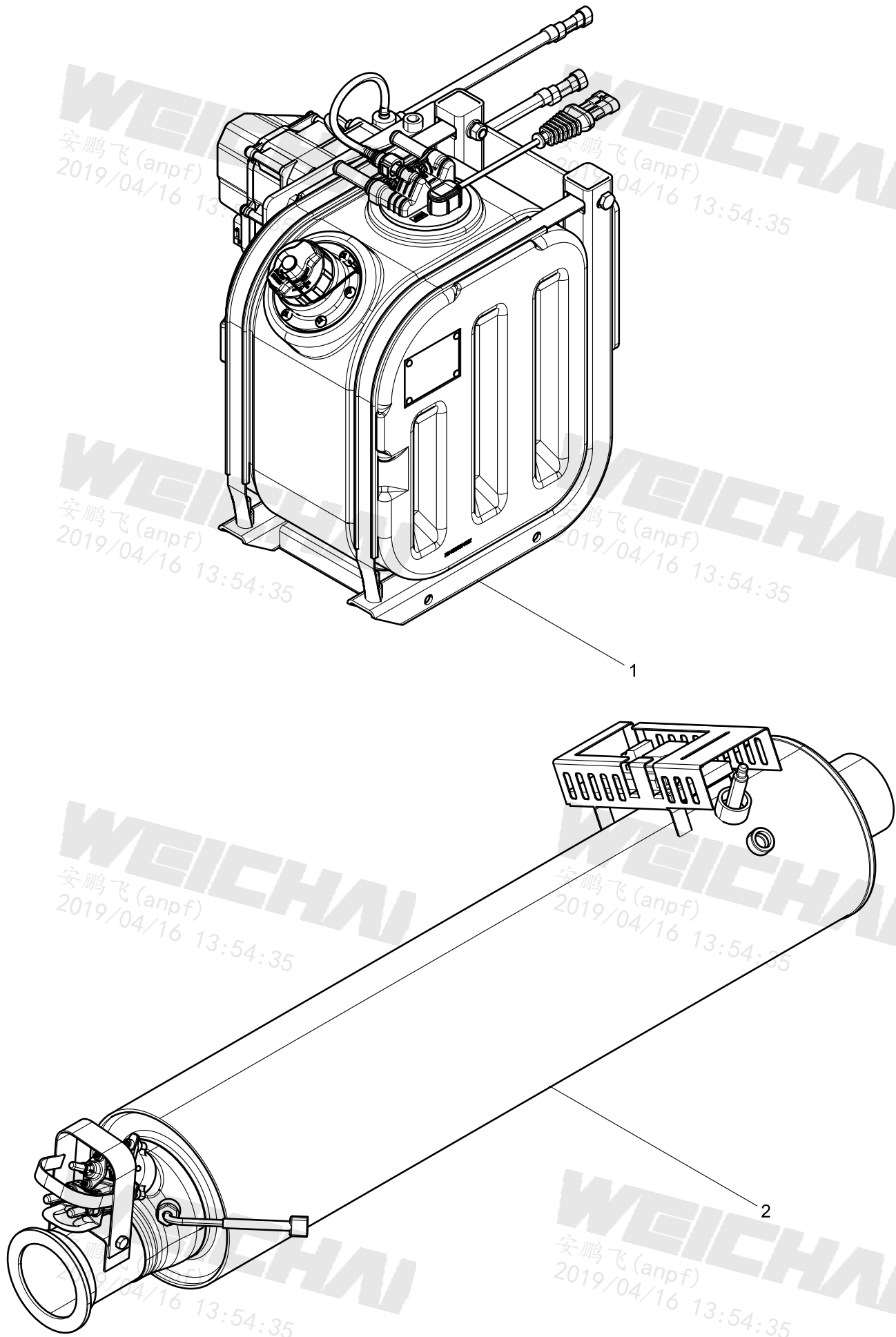
安鹏飞 (anpf)  
2019/04/16 13:54:35





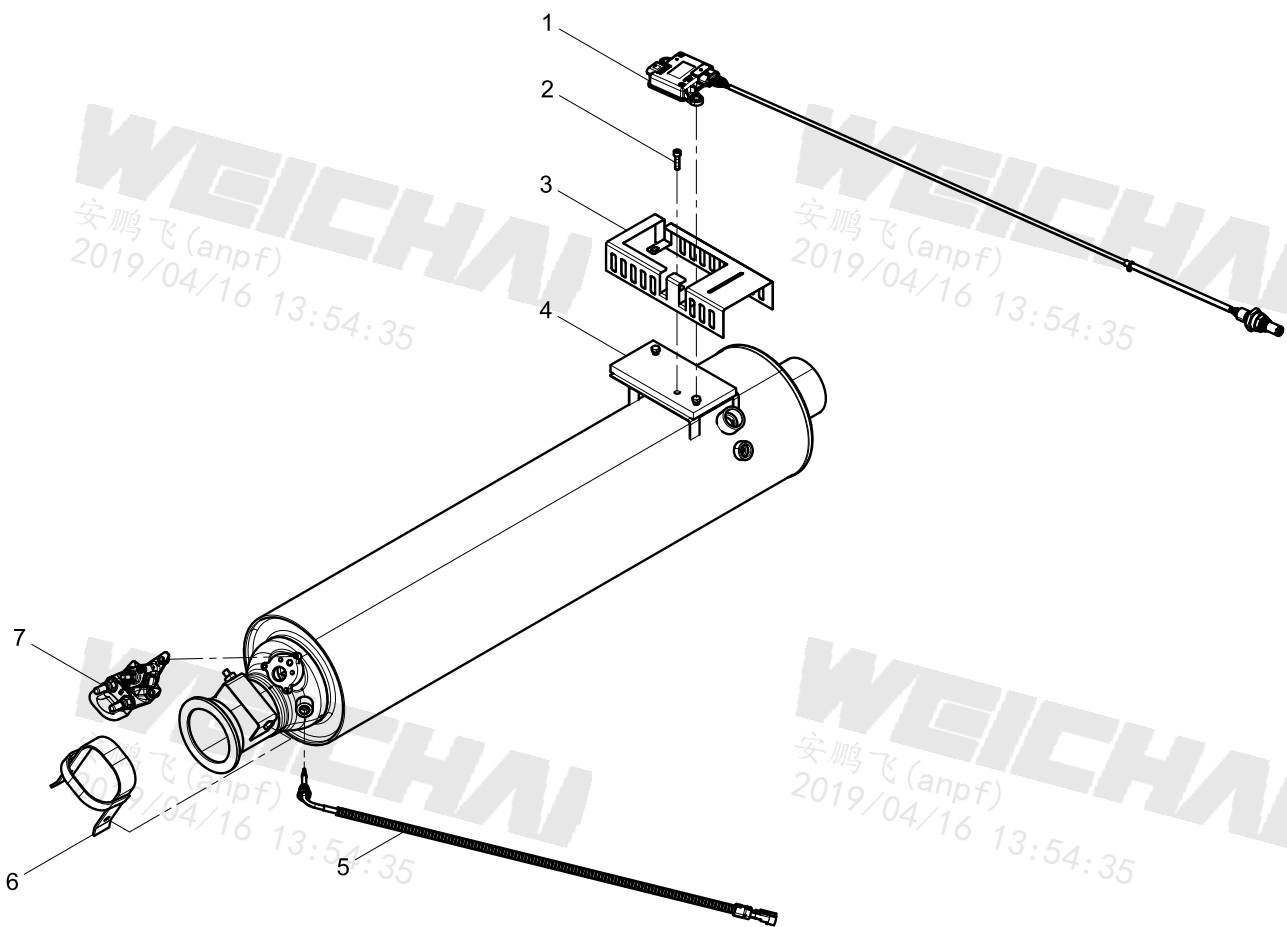


随机单发零件结合组(Separate Delivery Parts Group Attached to Engine)



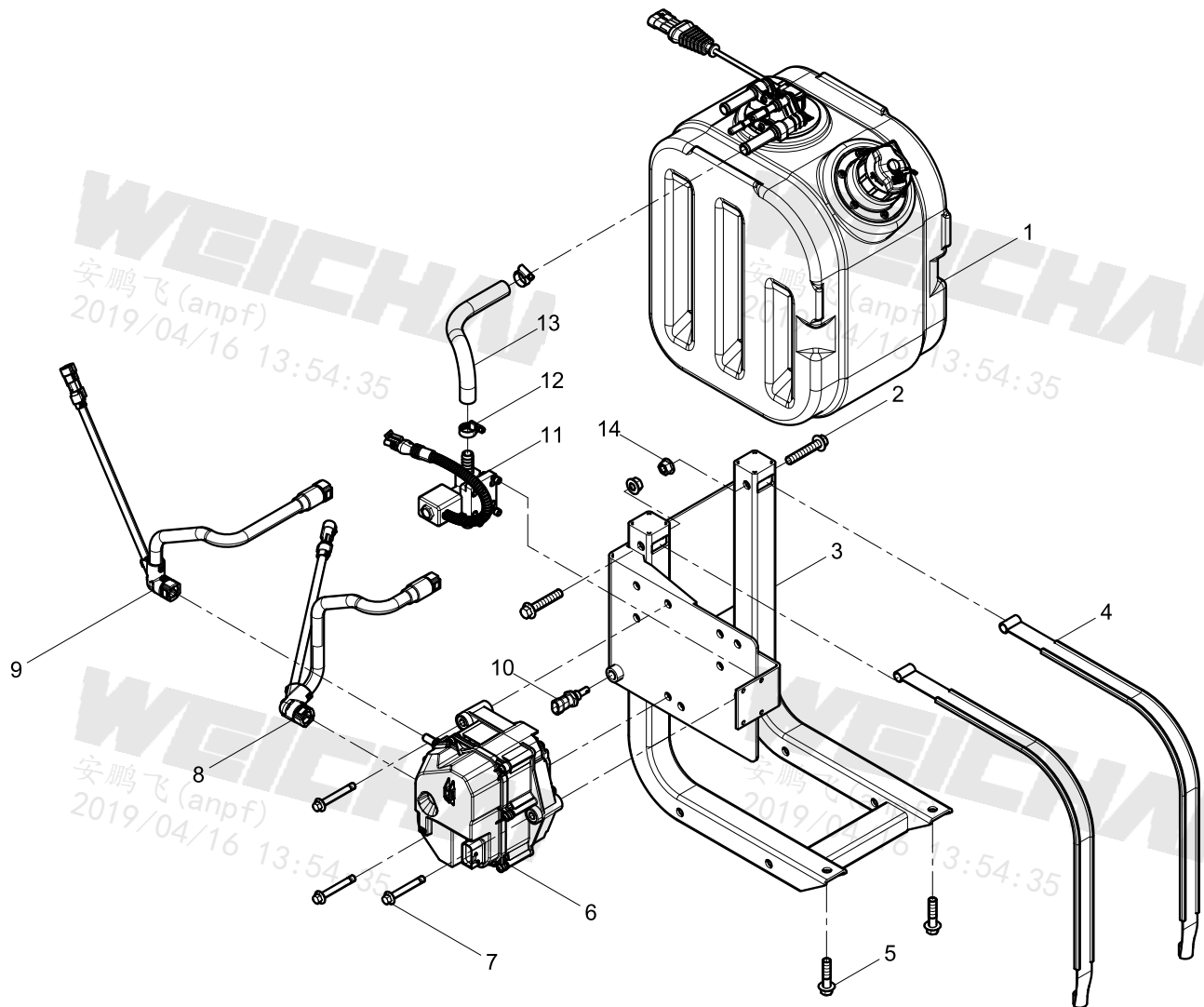


### SCR箱总成(SCR Box Assembly)



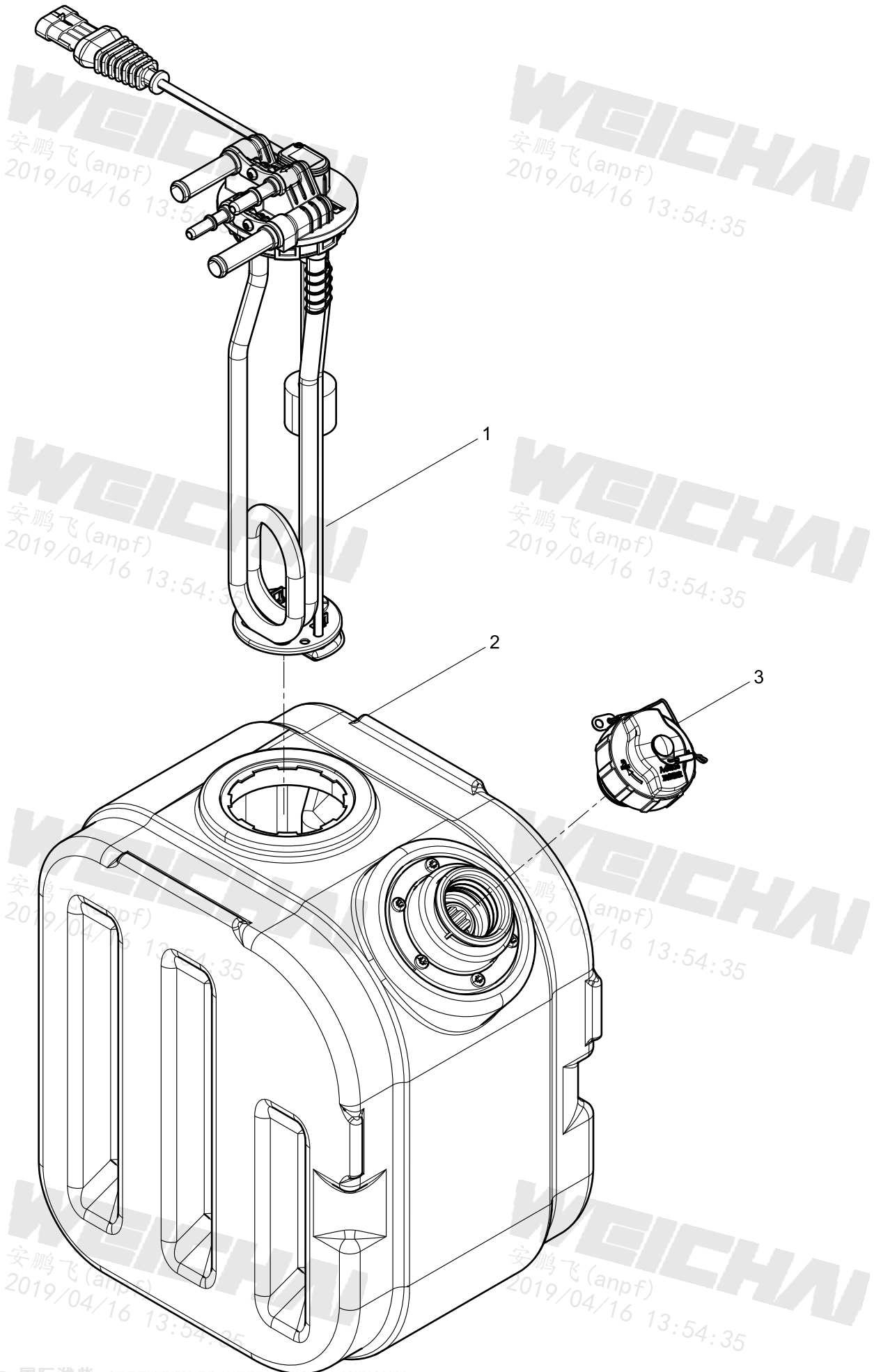


### 集成式尿素箱总成(Integrated Urea Tank Assembly)





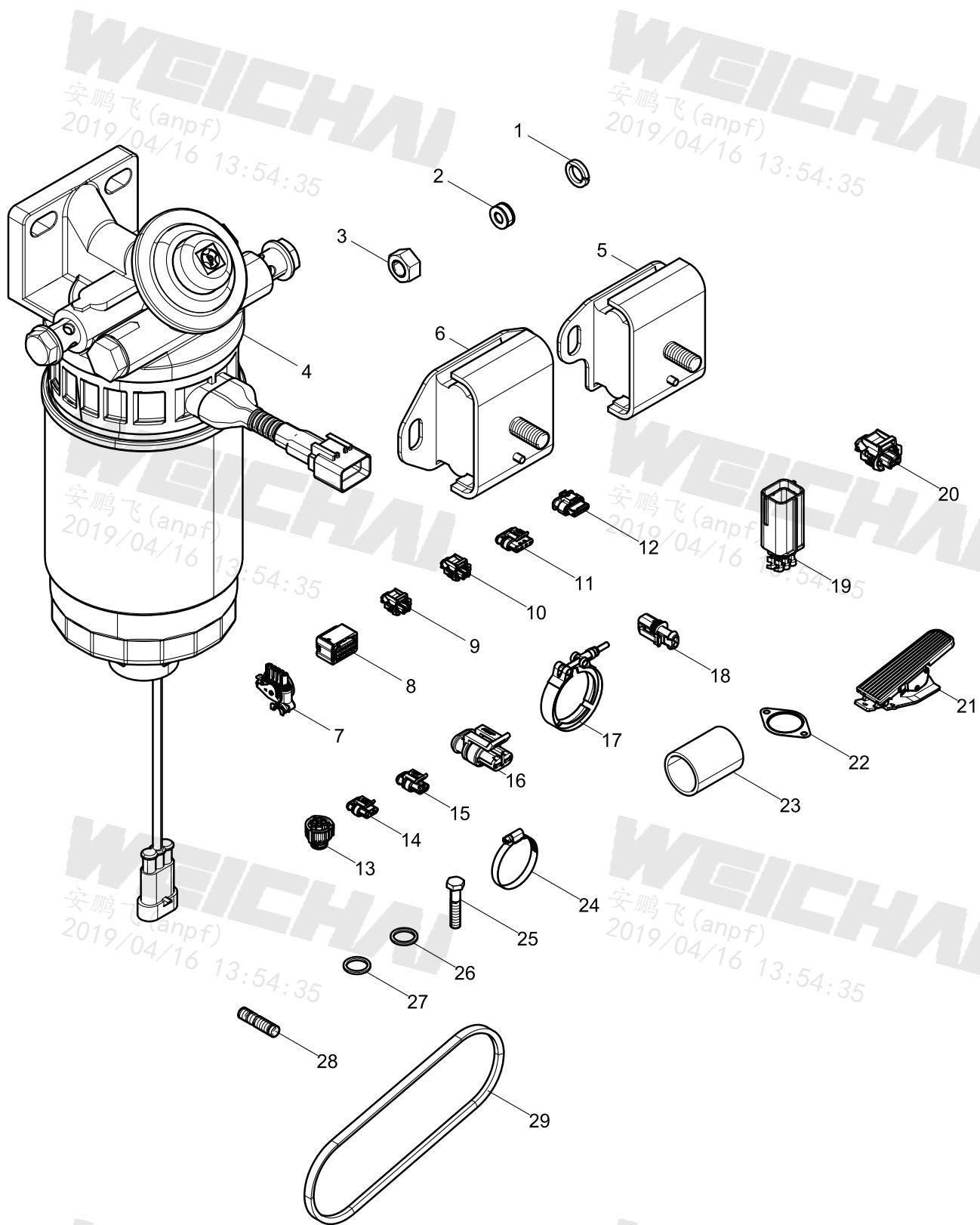
### 尿素箱总成(Urea Tank Assembly)







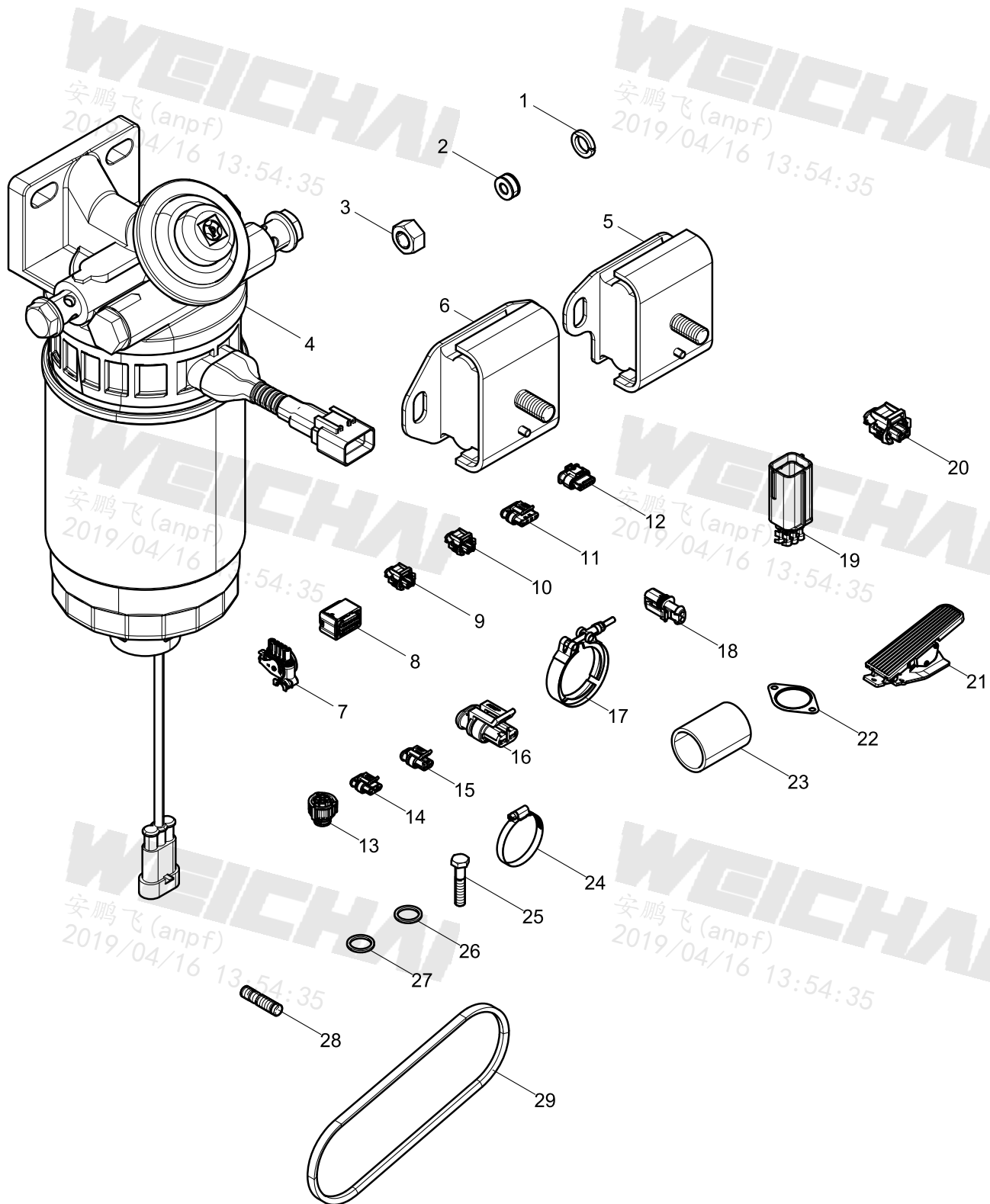
### 零件箱结合组(Parts Box Group)



**零件箱结合组(Parts Box Group)**

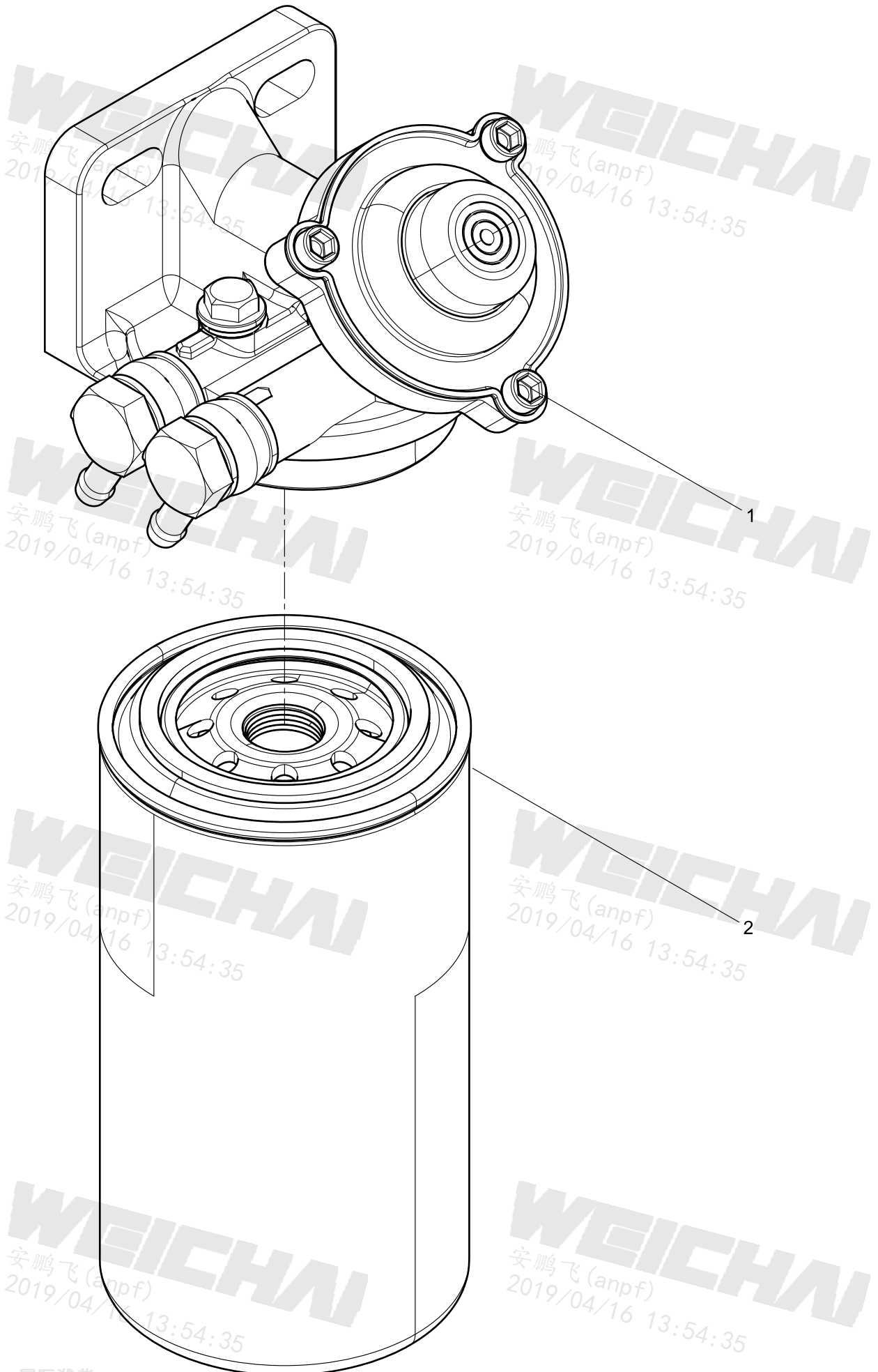
图序号 Pos.	件号 Teile.Number	数量 Amount	中文名称 Denomination	英文名称 Designation
1	90003931122	12	弹簧垫圈	Spring Washer
2	1000130788	8	ECU减震垫	ECU Damping Washer
3	90003871305	14	六角螺母	Hexagon Nut
4	1002006540	1	燃油粗滤器	Fuel Coarse Filter
5	Z20380106	1	前悬置软垫	Front Suspension Soft Cushion
6	Z20380107	1	前悬置软垫	Front Suspension Soft Cushion
7	612600081920	1	接插件	Connector
8	Z20310083	1	接插件总成	Connector Assembly
9	Z20310084	1	接插件总成	Connector Assembly
10	Z20310085	1	接插件总成	Connector Assembly
11	Z20310086	1	接插件总成	Connector Assembly
12	Z20310088	1	接插件总成	Connector Assembly
13	612630080167	1	配套接插件	Matching Connector
14	612630080211	1	燃油加热插接件	Fuel heating Conneting parts
15	612600081922	1	接插件	Connector
16	612600081283	1	接插件总成	Connector Assembly
17	610800110226	2	卡箍	Clamp
18	612600081921	1	起动机继电器插接件	Starting relay Conneting parts
19	612600090448	1	配套接插件	Matching Connector
20	612640130059	3	接插件	Connector
21	612630080182	1	油门踏板	Accelerate Pedal
22	2062868	1	排气管衬垫	Exhasut Manifold Gasket
23	13056715	1	管	Pipe
24	617021000042	2	卡箍	Clamp
25	90003800564	10	六角头螺栓	Hexagon Head Bolt
26	90014040008	24	平垫圈	Plain Washer
27	90003932024	12	波形弹性垫圈	Wave Spring Washer

### 零件箱结合组(Parts Box Group)





### 燃油粗滤器(Fuel Coarse Filter)

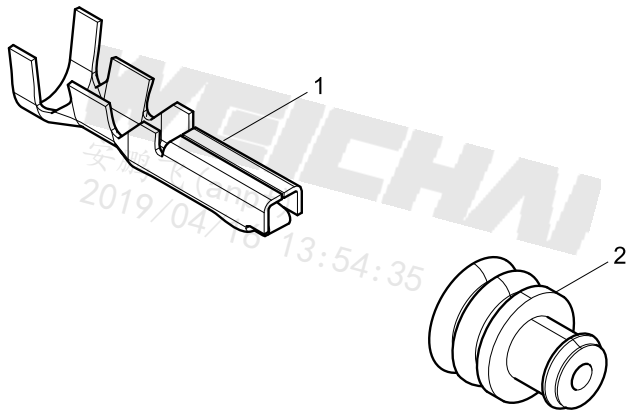




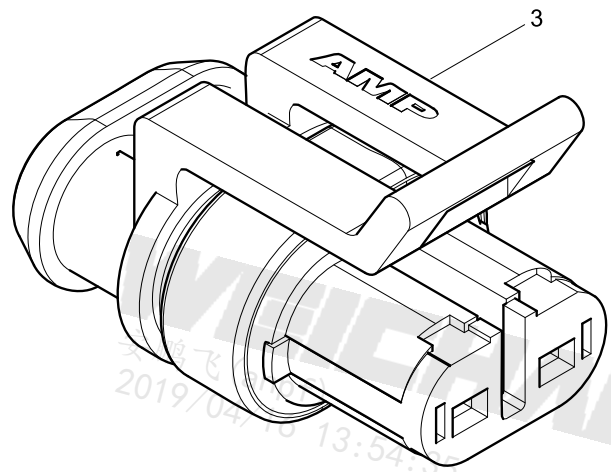
### 接插件总成(Connector Assembly)

WEICHAI  
安鹏飞 (anpf)  
2019/04/16 13:54:35

WEICHAI  
安鹏飞 (anpf)  
2019/04/16 13:54:35



WEICHAI  
安鹏飞 (anpf)  
2019/04/16 13:54:35



WEICHAI  
安鹏飞 (anpf)  
2019/04/16 13:54:35

WEICHAI  
安鹏飞 (anpf)  
2019/04/16 13:54:35

WEICHAI  
安鹏飞 (anpf)  
2019/04/16 13:54:35

WEICHAI  
安鹏飞 (anpf)  
2019/04/16 13:54:35

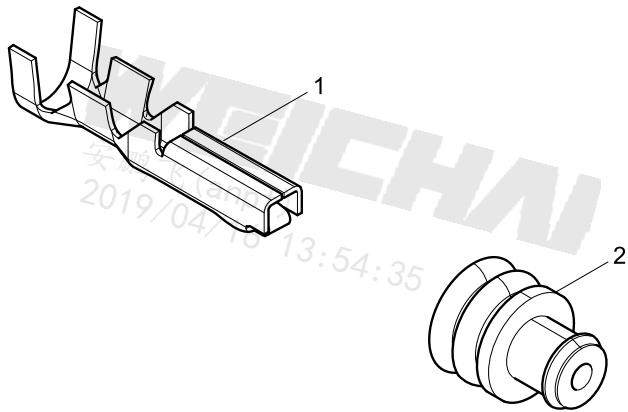




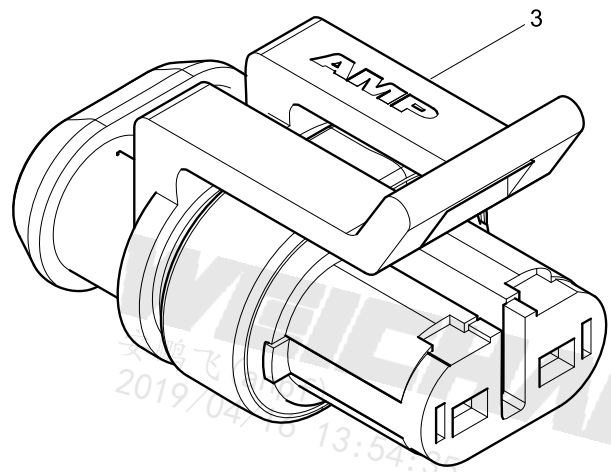
### 接插件(Connector)

WEICHAI  
安鹏飞 (anpf)  
2019/04/16 13:54:35

WEICHAI  
安鹏飞 (anpf)  
2019/04/16 13:54:35



WEICHAI  
安鹏飞 (anpf)  
2019/04/16 13:54:35



WEICHAI  
安鹏飞 (anpf)  
2019/04/16 13:54:35

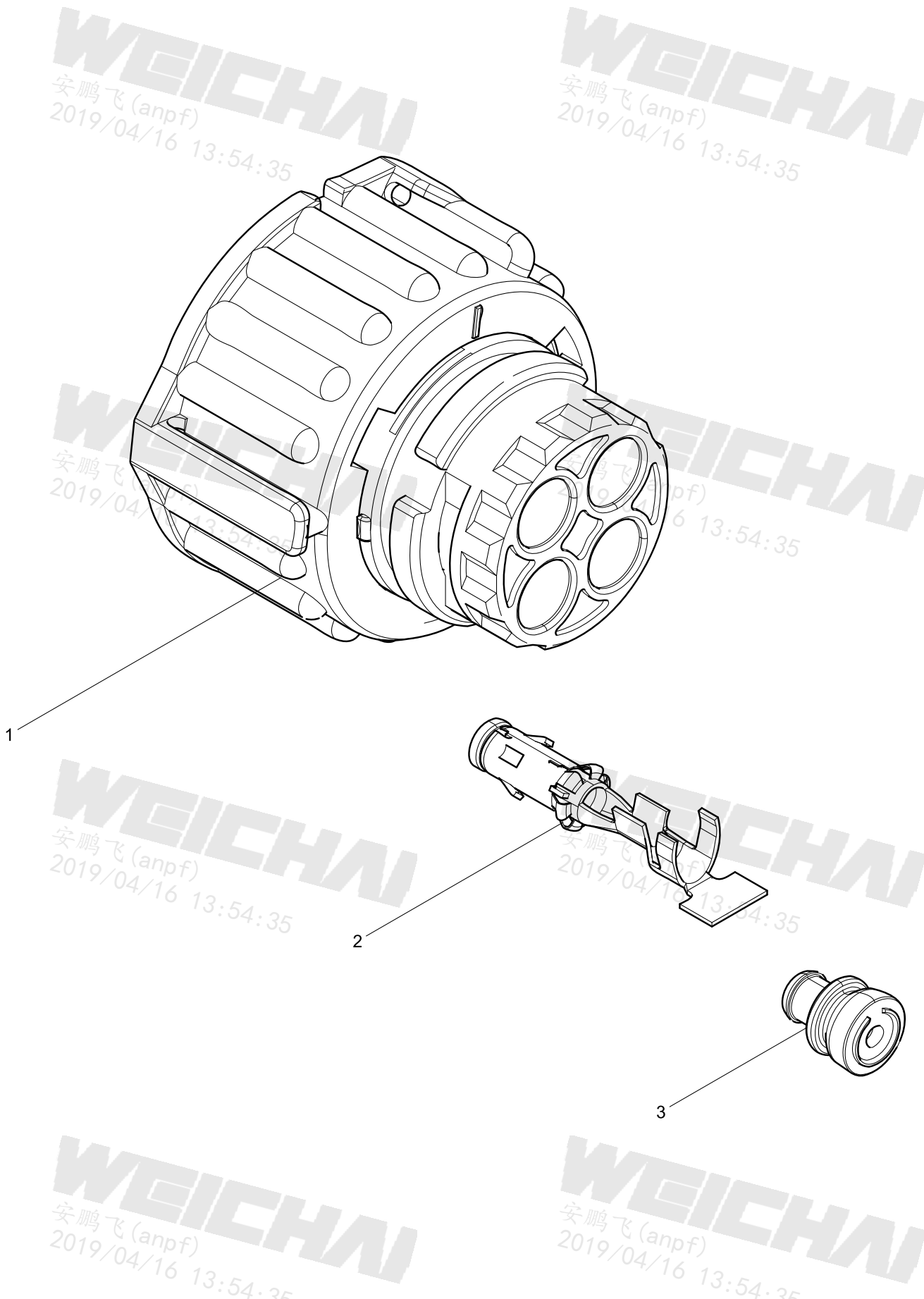
WEICHAI  
安鹏飞 (anpf)  
2019/04/16 13:54:35

WEICHAI  
安鹏飞 (anpf)  
2019/04/16 13:54:35

WEICHAI  
安鹏飞 (anpf)  
2019/04/16 13:54:35



### 配套接插件(Matching Connector)





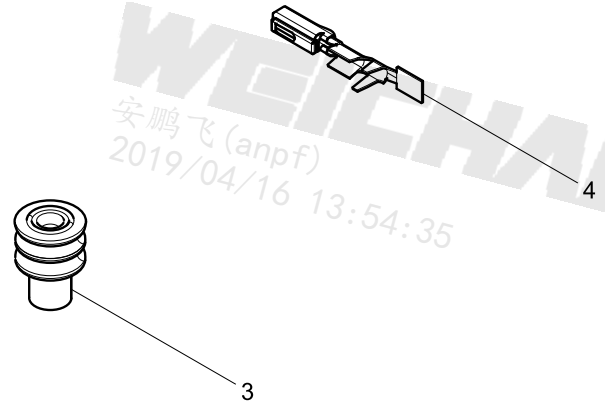
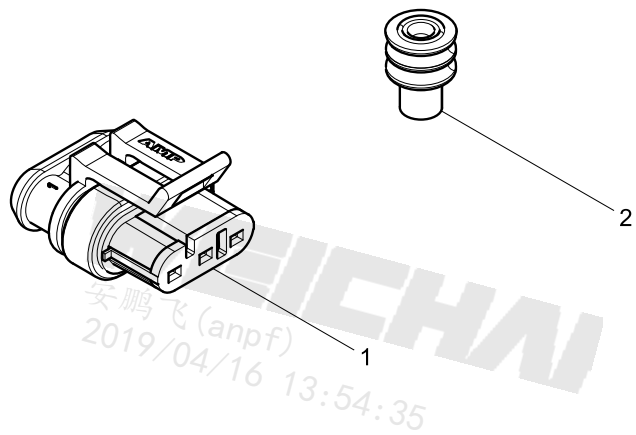
### 燃油加热插接件(Fuel heating Conneting parts)

WEICHAI  
安鹏飞 (anpf)  
2019/04/16 13:54:35

WEICHAI  
安鹏飞 (anpf)  
2019/04/16 13:54:35

WEICHAI  
安鹏飞 (anpf)  
2019/04/16 13:54:35

WEICHAI  
安鹏飞 (anpf)  
2019/04/16 13:54:35



WEICHAI  
安鹏飞 (anpf)  
2019/04/16 13:54:35

WEICHAI  
安鹏飞 (anpf)  
2019/04/16 13:54:35



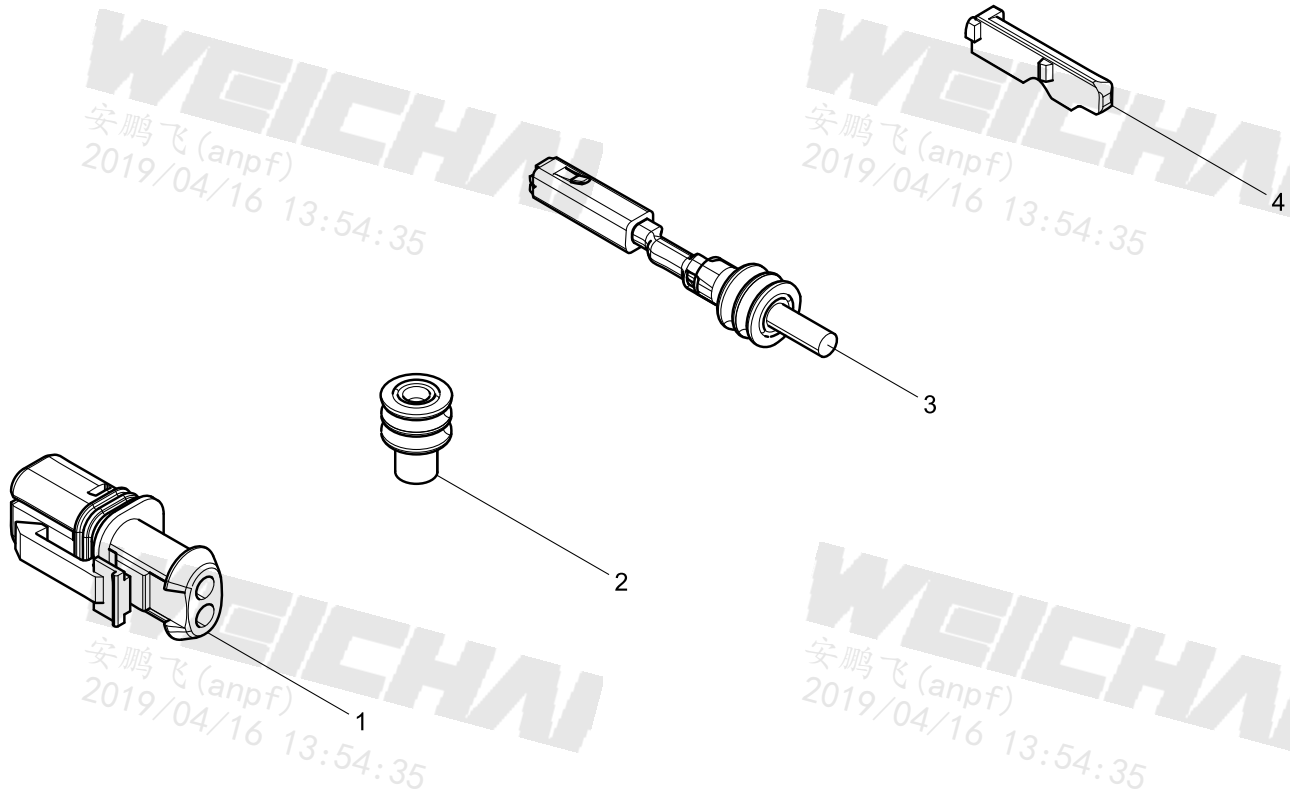
起动机继电器插接件(Starting relay Conneting parts)

WEICHAI  
安鹏飞 (anpf)  
2019/04/16 13:54:35

WEICHAI  
安鹏飞 (anpf)  
2019/04/16 13:54:35

WEICHAI  
安鹏飞 (anpf)  
2019/04/16 13:54:35

WEICHAI  
安鹏飞 (anpf)  
2019/04/16 13:54:35



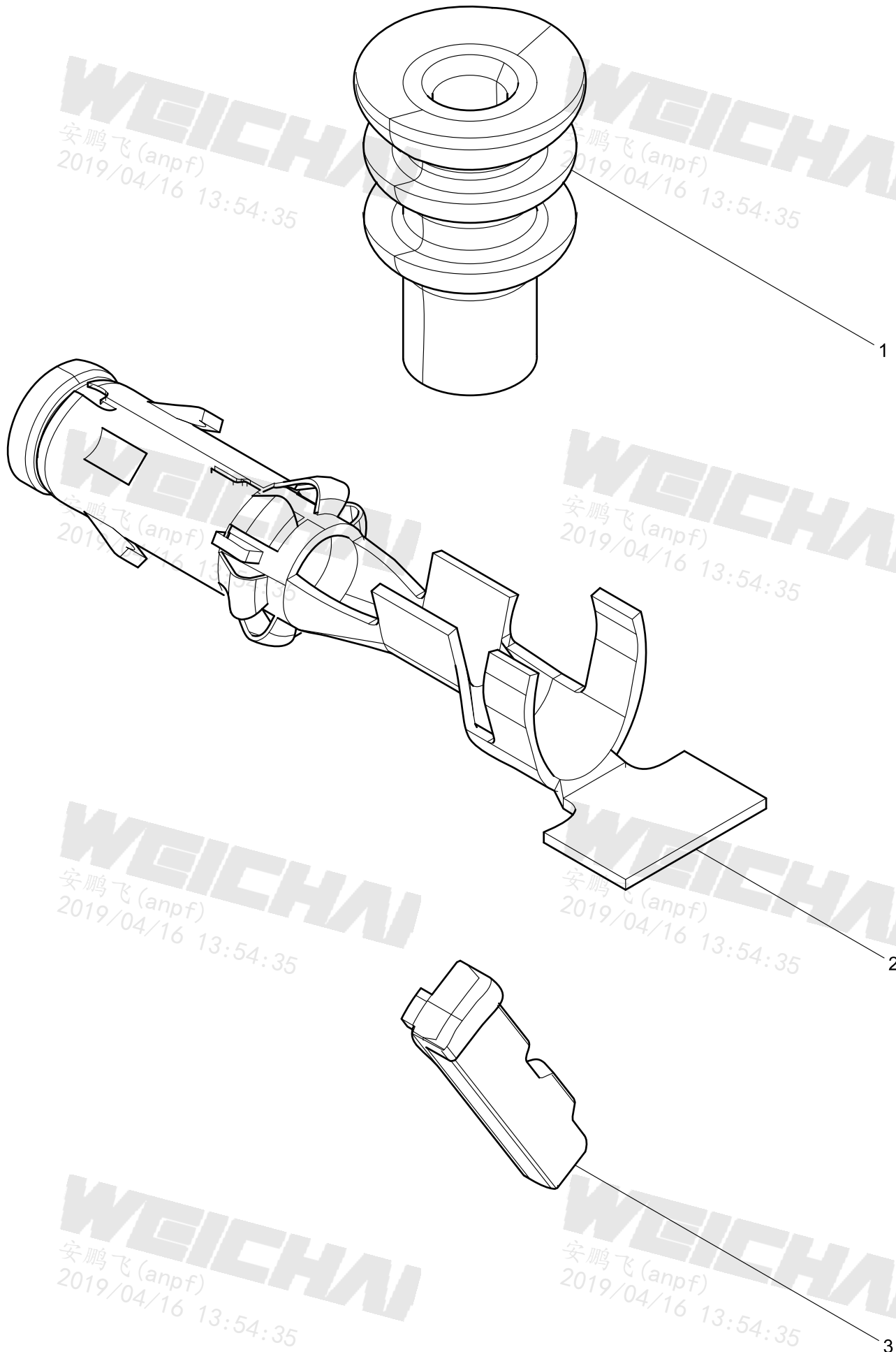
WEICHAI  
安鹏飞 (anpf)  
2019/04/16 13:54:35

WEICHAI  
安鹏飞 (anpf)  
2019/04/16 13:54:35



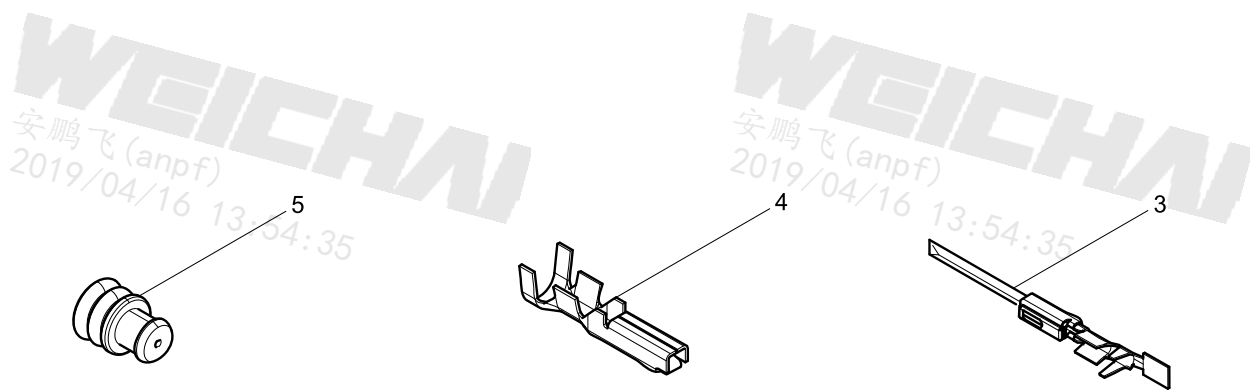
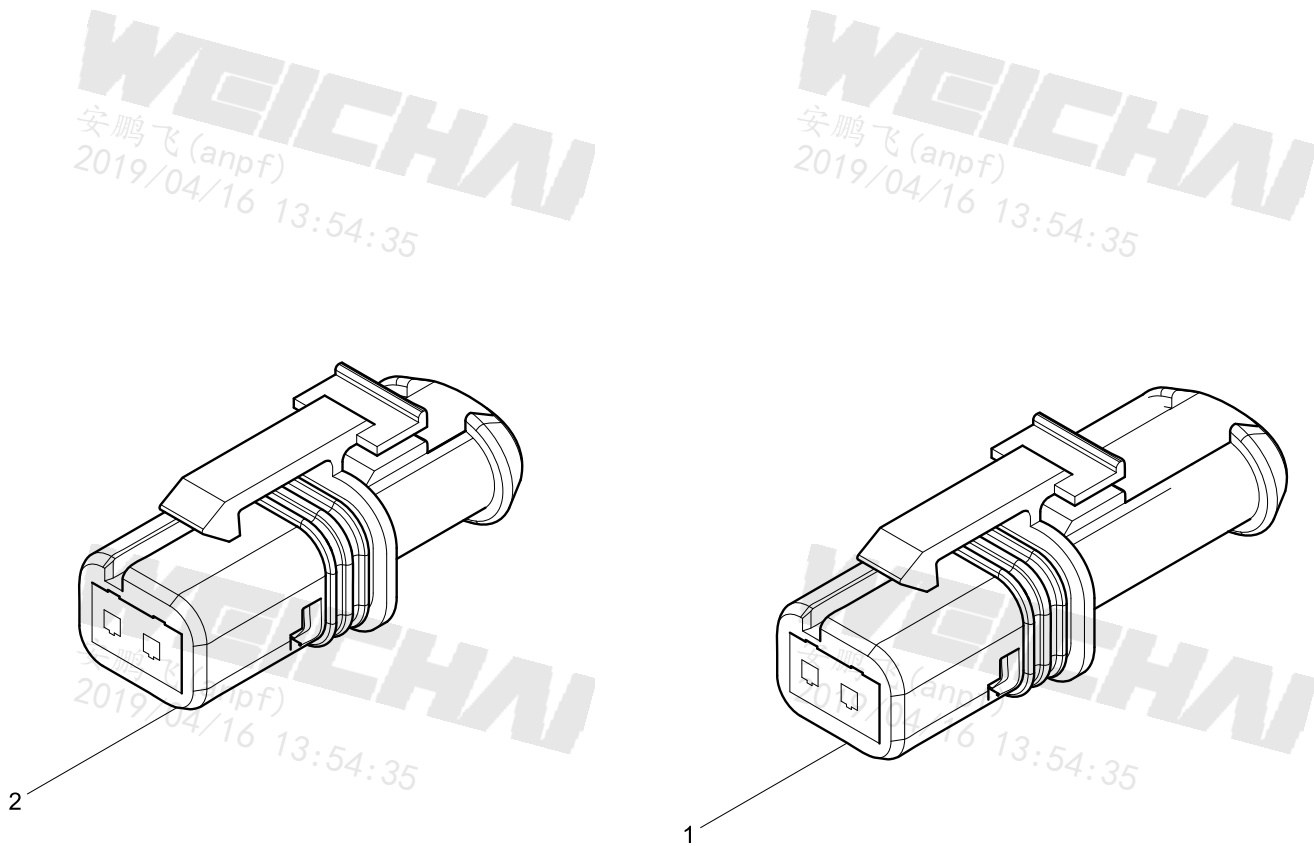


### 配套接插件(Matching Connector)





### 接插件(Connector)





### 接插件(Connector)

WEICHAI  
安鹏飞 (anpf)  
2019/04/16 13:54:35

WEICHAI  
安鹏飞 (anpf)  
2019/04/16 13:54:35

WEICHAI  
安鹏飞 (anpf)  
2019/04/16 13:54:35

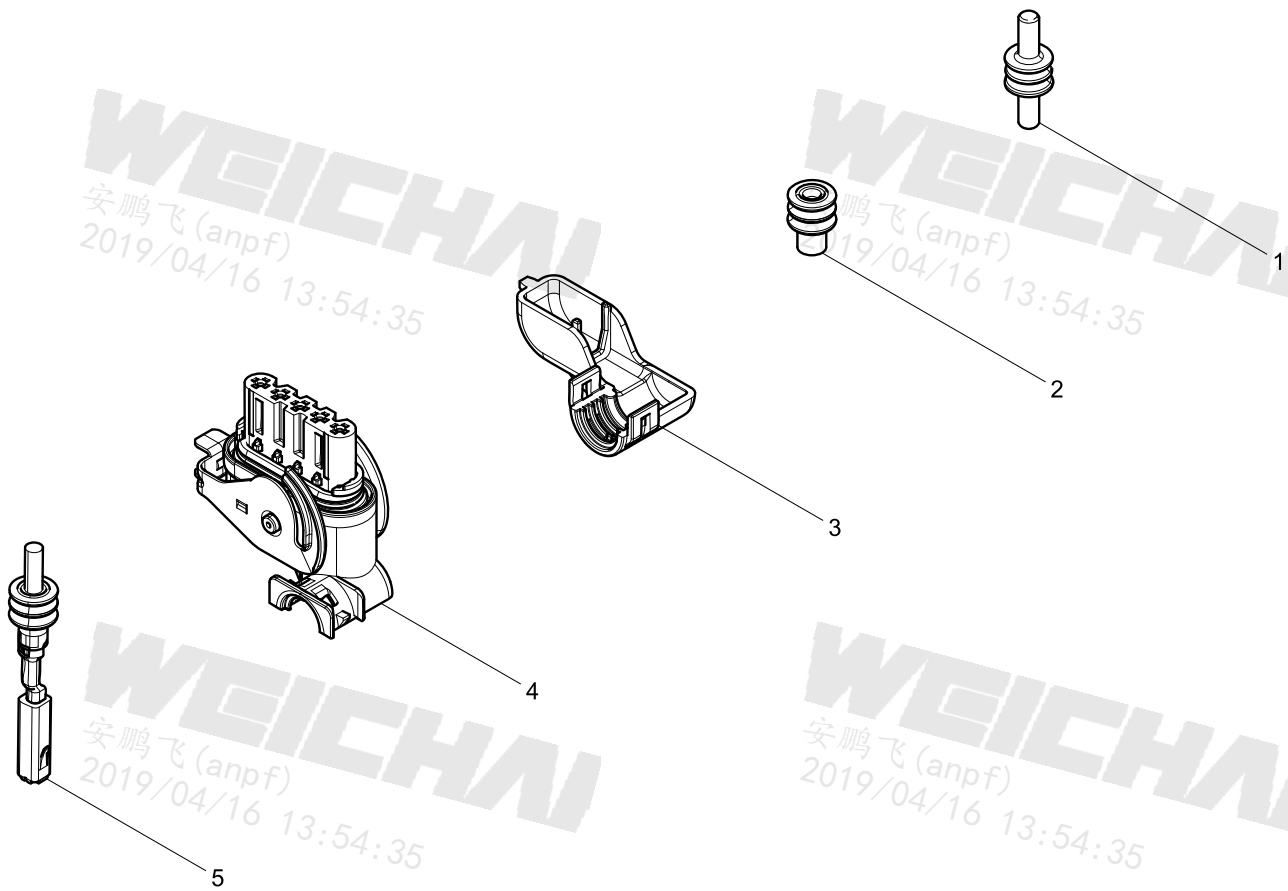
WEICHAI  
安鹏飞 (anpf)  
2019/04/16 13:54:35

WEICHAI  
安鹏飞 (anpf)  
2019/04/16 13:54:35

WEICHAI  
安鹏飞 (anpf)  
2019/04/16 13:54:35

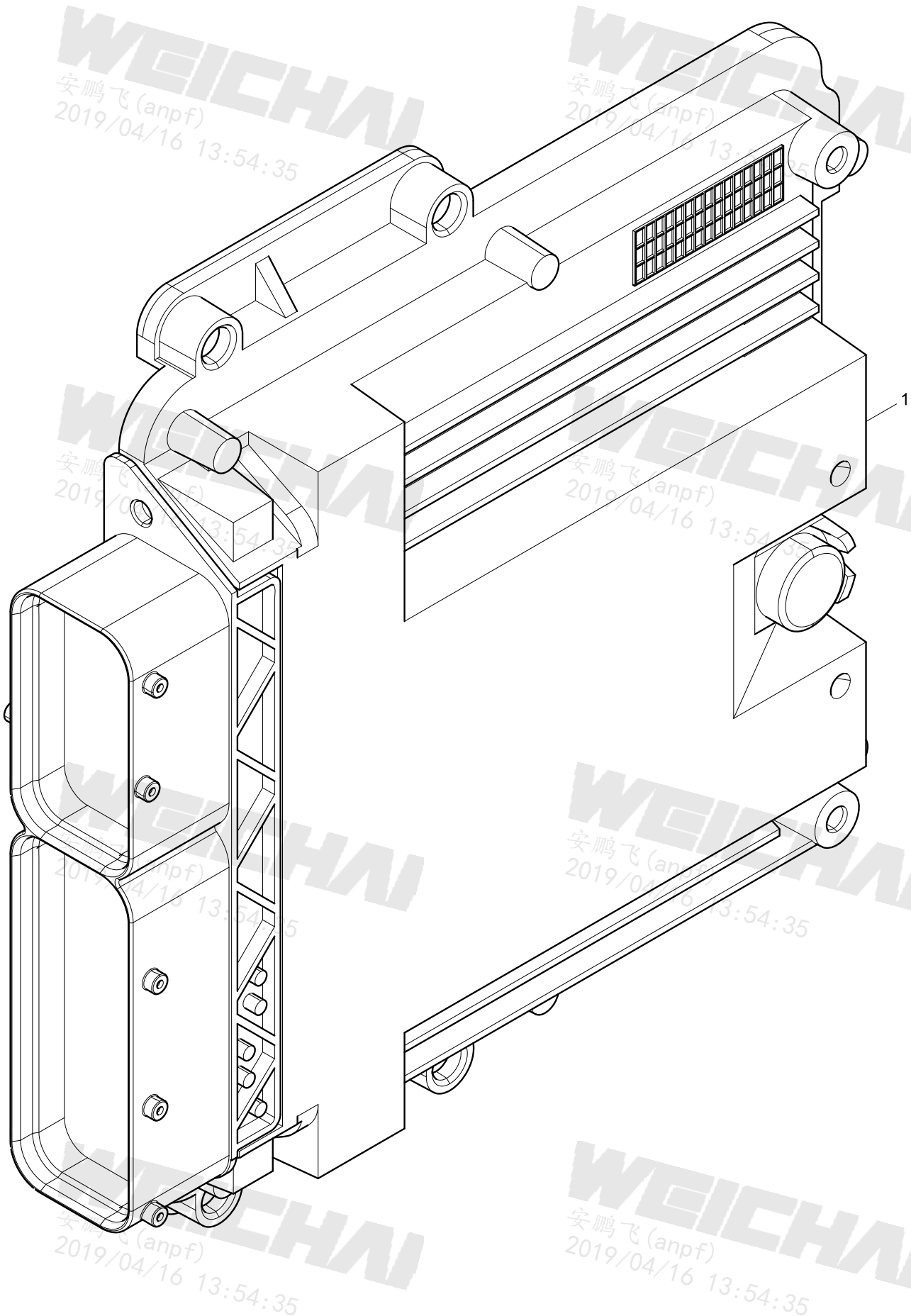
WEICHAI  
安鹏飞 (anpf)  
2019/04/16 13:54:35

WEICHAI  
安鹏飞 (anpf)  
2019/04/16 13:54:35





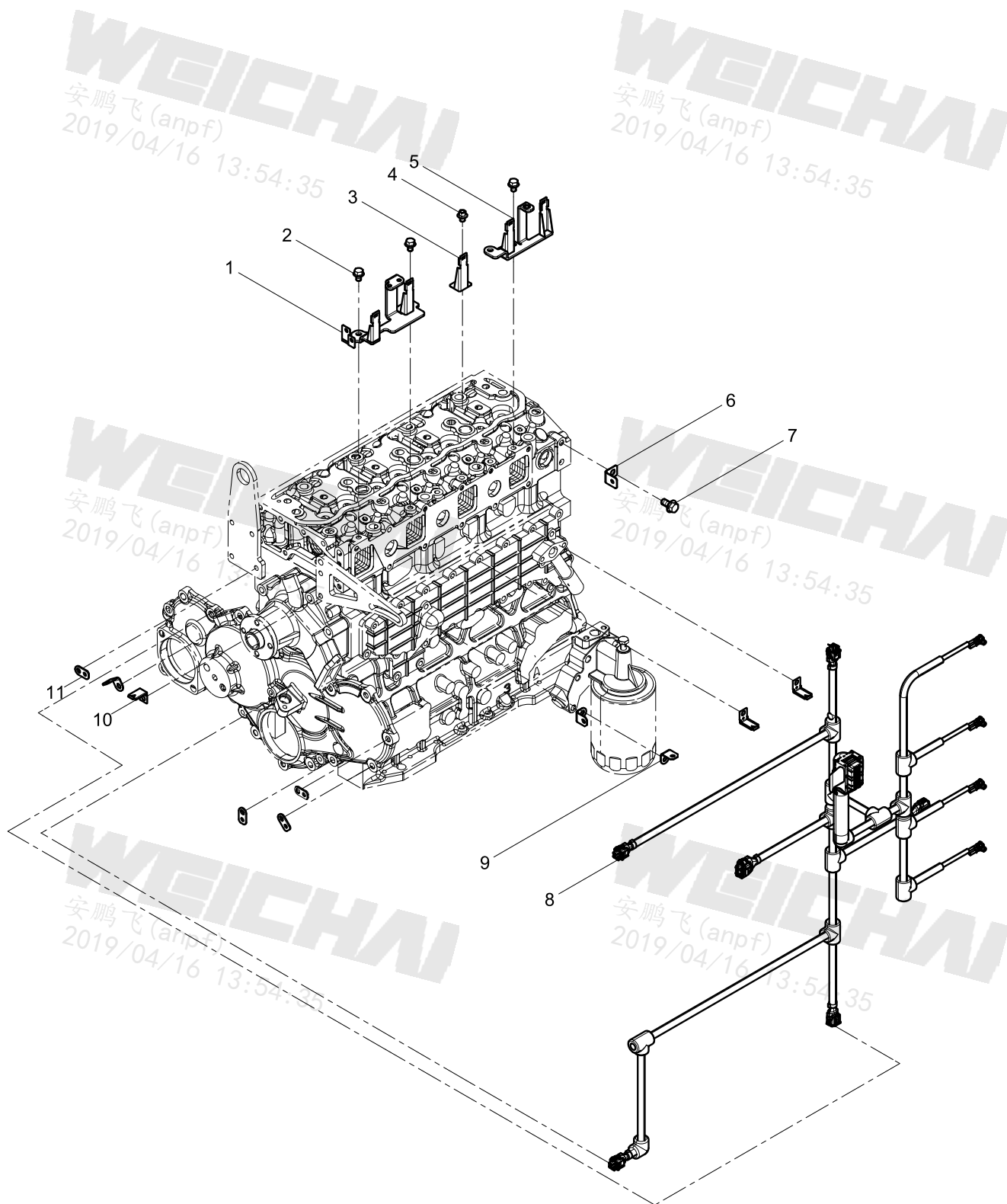
### 电控单元结合组(Electronic Control Unit Group)







### 发动机线束结合组(Engine Harness Group)

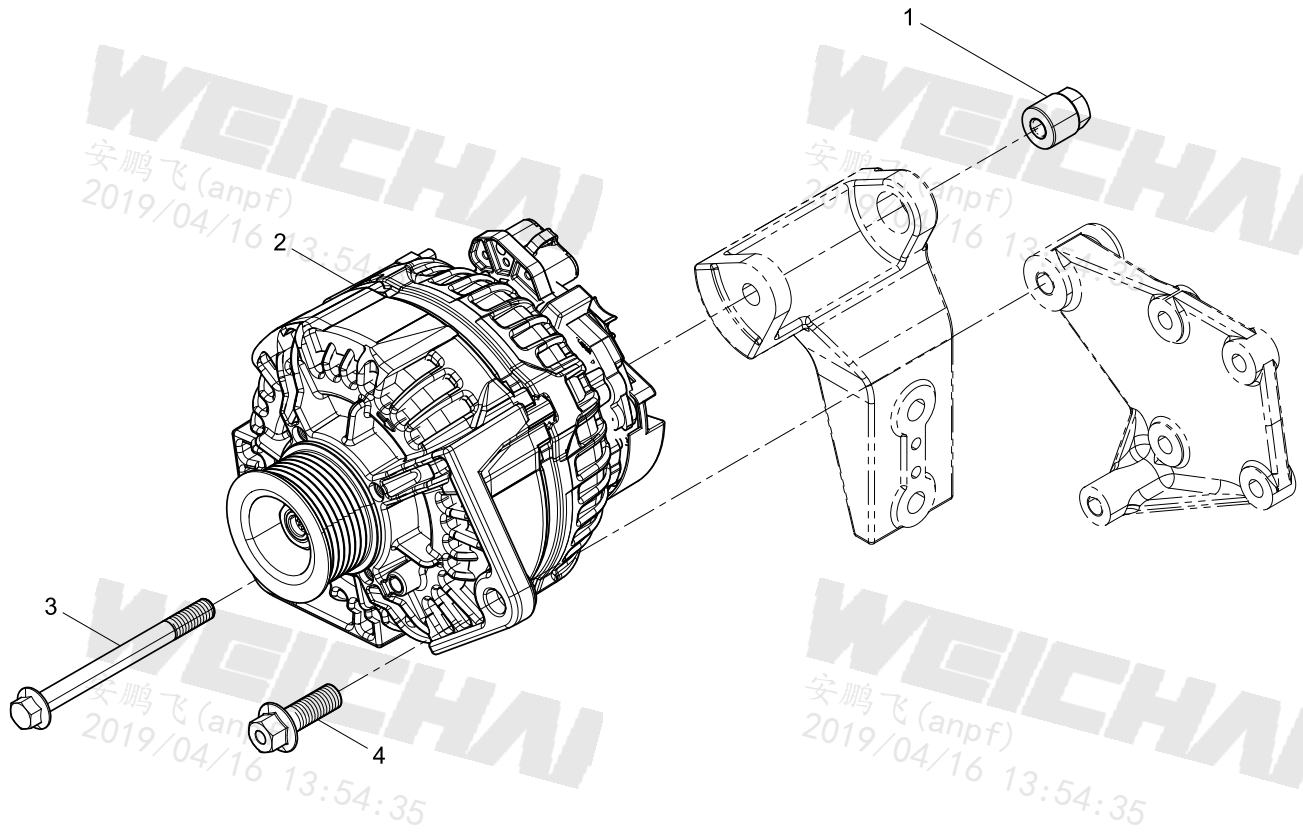




### 发电机结合组(Alternator Group)

WEICHAI  
安鹏飞 (anpf)  
2019/04/16 13:54:35

WEICHAI  
安鹏飞 (anpf)  
2019/04/16 13:54:35



WEICHAI  
安鹏飞 (anpf)  
2019/04/16 13:54:35

WEICHAI  
安鹏飞 (anpf)  
2019/04/16 13:54:35

WEICHAI  
安鹏飞 (anpf)  
2019/04/16 13:54:35

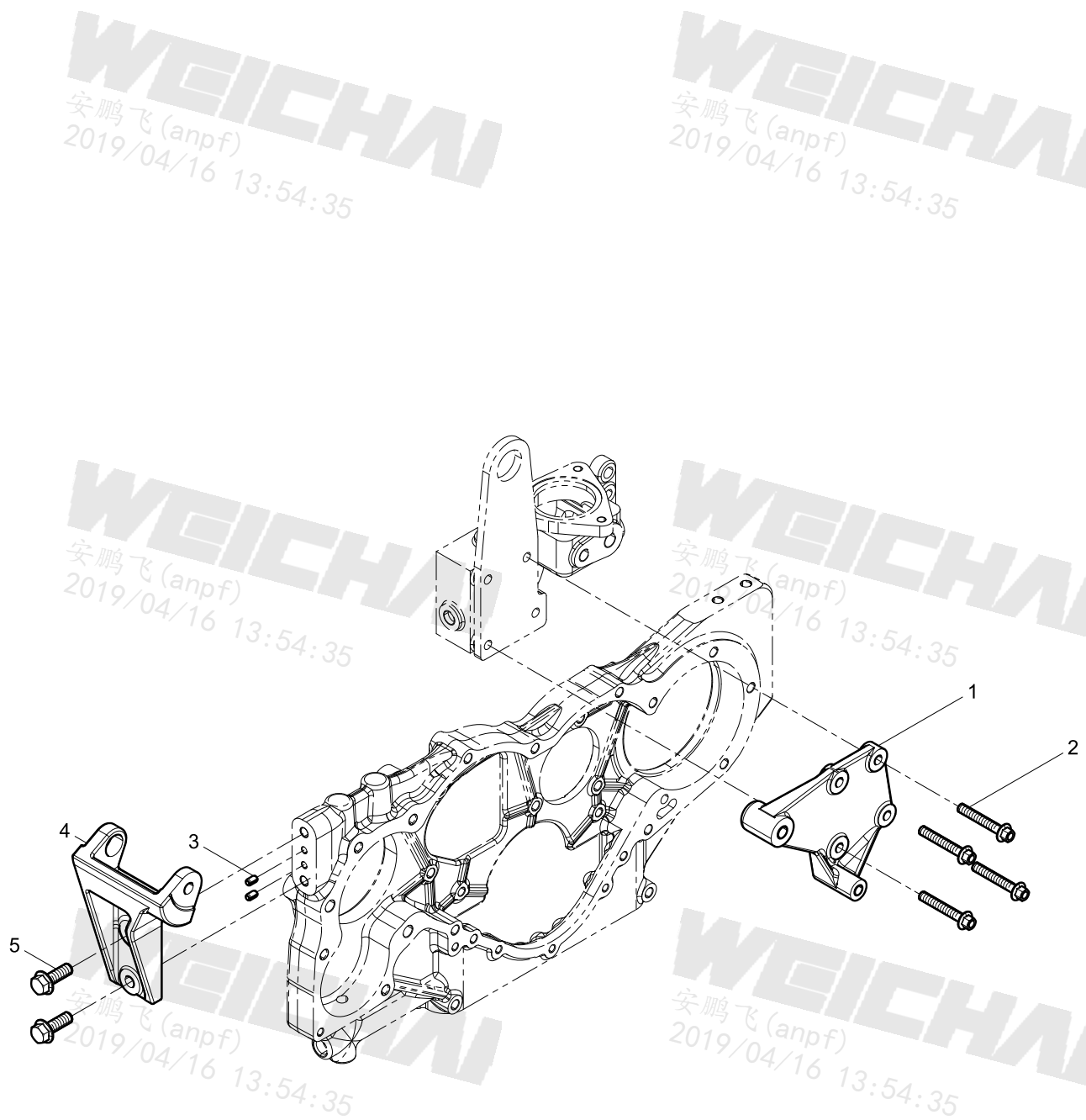
WEICHAI  
安鹏飞 (anpf)  
2019/04/16 13:54:35

WEICHAI  
安鹏飞 (anpf)  
2019/04/16 13:54:35

WEICHAI  
安鹏飞 (anpf)  
2019/04/16 13:54:35



### 发电机支架结合组(Alternator Bracket Group)





WEICHAI  
安鹏飞 (anpf)  
2019/04/16 13:54:35

WEICHAI  
安鹏飞 (anpf)  
2019/04/16 13:54:35

WEICHAI  
安鹏飞 (anpf)  
2019/04/16 13:54:35

WEICHAI  
安鹏飞 (anpf)  
2019/04/16 13:54:35

本材料供用户参考使用，  
产品参数如有变更，恕不另行通知，  
请以产品实物为准。

This manual is for reference only,  
product parameters are subject to alteration  
without notice,  
whichever is the physical product.

WEICHAI  
安鹏飞 (anpf)  
2019/04/16 13:54:35